

# Canon

**BINOCULARS**

**15×50 IS ALL WEATHER**

**18×50 IS ALL WEATHER**



**IMAGE STABILIZER**

**ENG**

Instructions



# 15×50 IS ALL WEATHER

# 18×50 IS ALL WEATHER

## IMAGE STABILIZER

### Thank you for purchasing a Canon product.

The Canon 15×50 IS ALL WEATHER and 18×50 IS ALL WEATHER are high-magnification binoculars featuring an Image Stabilizer with a Canon-developed variable prism.

Before using the binoculars, read this instruction booklet to familiarize yourself with the proper operation.

\* This instruction booklet applies to both the Canon 15×50 IS ALL WEATHER and 18×50 IS ALL WEATHER binoculars.

#### Features

- High-performance and high-magnification (15× with the 15×50, and 18× with the 18×50) binoculars for a wide range of uses from bird watching to heavenly observations.
- Despite the high magnification, a steady image can be obtained with the Image Stabilizer.
- The large-diameter, 50mm objective lenses make the image very bright.
- The UD lenses\* make the image look sharp even at the periphery.
- The binoculars can be used even in the rain.

\* UD lenses are made of Ultra-low Dispersion glass.

#### Symbols



Warning to prevent malfunction or damage to the binoculars.



Supplementary hints for using the binoculars.

#### Accessories

The binoculars come with the following accessories:

|                                 |   |
|---------------------------------|---|
| Case .....                      | 1 |
| Strap .....                     | 1 |
| Eyepiece lens caps.....         | 2 |
| Size-AA alkaline batteries..... | 2 |

## Cautionary Notes

### For the Binoculars

- (1) Never look at the sun or a bright light with the binoculars. Doing so can cause loss of vision.
- (2) The binoculars are water-resistant enough for use in the rain. However, they are not for underwater use.
- (3) If the binoculars are taken from a cold environment to a warm one, condensation may develop on the surface and internal parts. To prevent condensation, first put the binoculars into an airtight plastic bag before taking it to a warm environment. Let it gradually adjust to the warmer temperature, then take out the binoculars. Do the same when taking the binoculars from a warm environment to a cold one.
- (4) Binoculars are precision instruments. Do not drop them or subject them to shock. Never attempt to disassemble them.
- (5) If the binoculars get wet, use a clean, dry cloth to wipe off the water. If the binoculars have been exposed to salt air or salt water, use a well-wrung damp cloth to wipe them off.
- (6) High temperatures can cause the binoculars to malfunction. Do not store them close to a heater or in a closed car on a sunny day.
- (7) If the lens is dirty, first use a blower brush to remove dust, etc., from the lens surface. Then use a soft, dry cloth and wipe the lens gently without scratching it. Do not use any organic solvent on the body or lenses.
- (8) Storing the binoculars in a humid location may cause fungus on the lenses. If the binoculars are not to be used for an extended period, clean the lenses and body thoroughly and store in a well-ventilated dry place.
- (9) Avoid storing the binoculars in a laboratory or a location where corrosive chemicals are present. Also avoid storage in a chest of drawers.
- (10) When the binoculars are not to be used for a prolonged period, remove the batteries. If the batteries are left inside, they may leak, causing corrosion, malfunction or fire.

## Battery Care

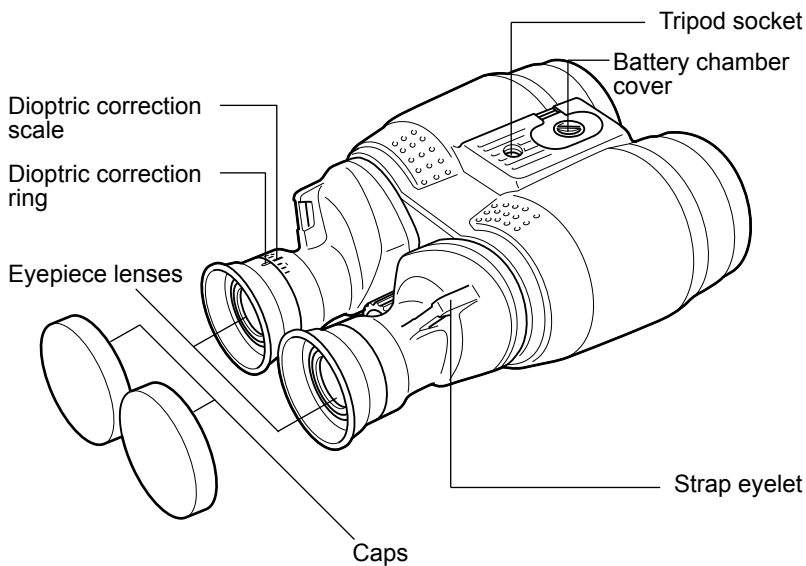
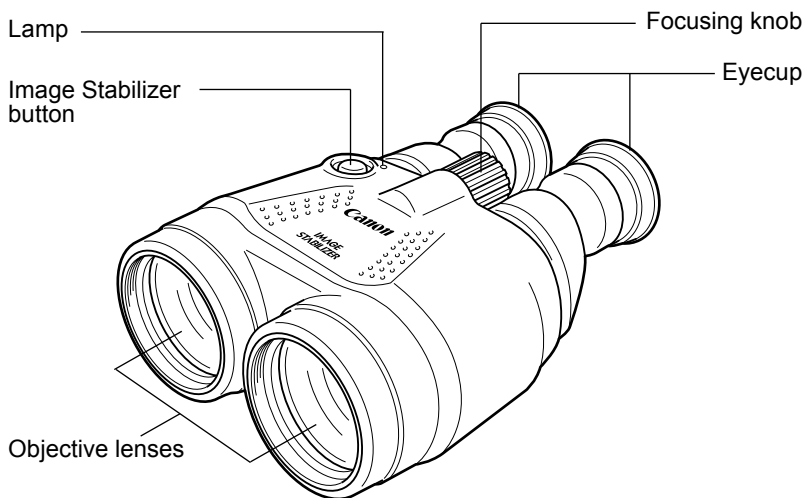
- (1) Never attempt to disassemble batteries. Never recharge batteries except Ni-Cd batteries. Do not leave batteries in a hot place or throw them into a fire. Do not short circuit the contacts. Doing any of the above is highly dangerous.
- (2) You should never mix different types of batteries. When changing exhausted batteries, replace them all at once.
- (3) Although lithium batteries work well in low temperature, their performance will drop slightly in temperatures below 0 degrees C. In cold locations, keep a spare set of batteries in a warm pocket and alternate them with the batteries in use.
- (4) When the battery power is low, the lamp will not light even when you press the Image Stabilizer button. Replace both batteries in such a case.
- (5) If the lamp lights but the Image Stabilizer does not operate properly, it means the battery power is low. Replace both batteries in such a case.
- (6) In cold temperatures, using size-AA lithium batteries is recommended.

**All Weather:** Water resistant binoculars for use in heavy rain.



All Canon Binoculars are composed only of "Environment Friendly Lead-Free Optical Glass". The design is derived from Canon's corporate policy to care about our environment.

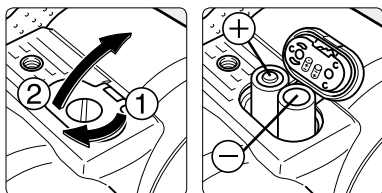
# Nomenclature



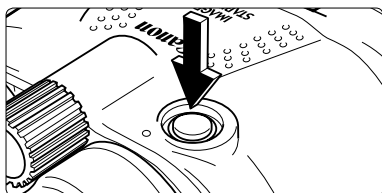
## Before You Start



- 1 Attach the strap.**  
Make sure that the strap does not loosen at the clasp when you pull it.



- 2 Load the batteries.**  
Use a coin to turn the battery chamber cover by 90° as shown by the arrow. Then open the cover.  
Load the batteries in the correct + and - orientation as shown on the battery cover.



- 3 Check that the lamp lights.**  
Press the Image Stabilizer button and check that the lamp lights.



- Do not replace or load the batteries while the binoculars are wet. Wipe off any water droplets from the binoculars first.
- Battery Pack BP-B1 (sold separately) can be used as an external power source. However, it is not water-resistant.

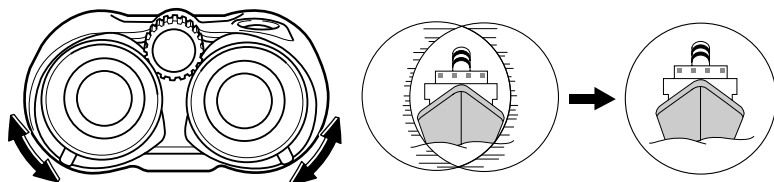
### Battery Life (Continuous Use)

|                            | 25°C / 77°F   | -10°C / 14°F  |
|----------------------------|---------------|---------------|
| Size-AA alkaline batteries | 2 hr. 30 min. | 10 min.       |
| Size-AA lithium batteries  | 8 hr          | 3 hr. 30 min. |
| Size-AA Ni-Cd batteries    | 2 hr. 30 min. | 1 hr. 30 min. |

(Based on Canon's testing conditions.)

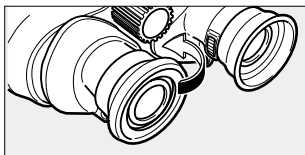
- Size-AA manganese batteries are not recommended due to their low energy.

## 4 Adjust the width of the binoculars.

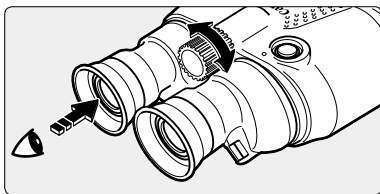


Look through the binoculars and adjust the width until the left and right images converge as shown above.

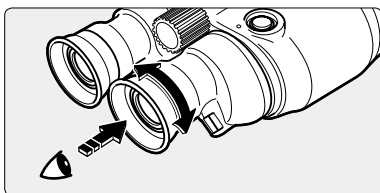
- Doing the above minimizes eye fatigue during viewing.
- When adjusting the width of the binoculars to suit the width between your eyes, look at a distant object.
- If you are wearing eyeglasses, fold back the eye cups.



## 5 Adjust the diopter.

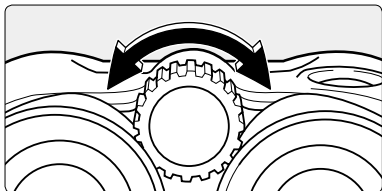


First look through the left eyepiece only and adjust the focusing knob until the object looks sharp.



Then look through the right eyepiece only and look at the same object while turning the dioptic correction ring until the object looks sharp.

## 6 Adjust the focus.

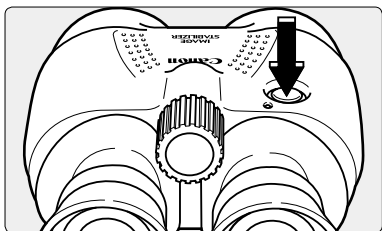


Look through the eyepiece and turn the focusing knob until the object looks sharp.

## Using the Image Stabilizer

While you look through the binoculars, the image may be shaking and difficult to see since your hands are holding the binoculars. In such a case, the Image Stabilizer can help steady the image.

There are two ways to use the Image Stabilizer. You can turn on the Image Stabilizer as long as you hold down the Image Stabilizer button and or you can turn on the Image Stabilizer for 5 minutes.



### ■ Holding down the button

The Image Stabilizer operates continuously while you hold down the button. When you let go of the button, the Image Stabilizer stops operating.

### ■ Five-minute operation

Just press the button once and let go, and the Image Stabilizer will operate continuously for five minutes.

To stop the Image Stabilizer operation, press the button again.

- The lamp lights while the Image Stabilizer is on.



- The Image Stabilizer may not be able to compensate for severe shaking.
- When the battery power is low, the Image Stabilizer may generate noise and vibration. The image stabilization is not affected by this.
- Even without batteries loaded, the binoculars can still be used as is.



## Troubleshooting

If there is a problem with the binoculars, first refer to the table below to see if you can resolve it. If the problem cannot be resolved, take the binoculars to your nearest Canon Service Center.

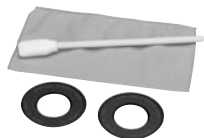
| <b>Problem</b>   | <b>Probable Cause</b>  | <b>Corrective Measures</b>   |
|--|--|--|
| The image is not clear.  | The lens is dirty.   | Use a blower brush to remove dust, etc., from the lens surface. Then use a soft, dry cloth to wipe the lens gently.                |
|  | The width of the binoculars does not suit the width between your eyes.   | Adjust the width of the binoculars (see step 4).   |
|  | The diopter has not been properly set.   | Adjust the diopter (see step 5).   |
|  | The binoculars are not properly focused.   | Focus the binoculars (see step 6).   |
| The Image Stabilizer does not operate.   | There are no batteries loaded.   | Load batteries having enough power.  |
|  | When the Image Stabilizer button is pressed, the lamp does not light.  | If the lamp does not light, it means the batteries are exhausted. Replace the batteries with new ones.                             |
|  | The battery power is low.  | Even if the lamp lights, the Image Stabilizer may not operate if the batteries are exhausted. Replace the batteries with new ones. |
| When the binoculars are shaken severely while the Image Stabilizer is operating, there is a strange noise. | The batteries are exhausted.   | Replace the batteries with new ones.   |
| There are air bubbles in the lens.   | Air bubbles may form in the lens when the atmospheric pressure is low in airborne airplanes or on high mountains. This is not a abnormality. | The air bubbles will usually disappear after about a week, depending on the atmospheric pressure and operating conditions.         |

## Major Specifications

|                                   | 15×50 IS ALL WEATHER  | 18×50 IS ALL WEATHER |
|-----------------------------------|---|----------------------|
| Type                              | Porro prism binoculars                                      |                      |
| Magnification                     | 15×   | 18×                  |
| Objective lens effective diameter | 50 mm   |                      |
| Real field of view                | 4.5°  | 3.7°                 |
| Apparent field of view            | 61.0°   | 60.3°                |
|                                   | (Calculated based on ISO 14132-1:2002)                      |                      |
| Field of view at 1000 m / yds     | 79 m / 237 ft   | 65 m / 195 ft        |
| Exit pupil diameter               | 3.3 mm  | 2.8 mm               |
| Eye relief                        | 15 mm   |                      |
| Focusing distance range           | Approx. 6 m - infinity                                      |                      |
| Image Stabilizer system           | Optical correction with vari-angle prism                    |                      |
| Correction angle                  | ±0.7°   |                      |
| Battery check                     | Lamp  |                      |
| Operating environment             | Temperature: -10°C to 45°C / 14°F to 113°F<br>Humidity: 90% |                      |
| Dimensions (W × H × D)            | 152 × 193 × 81 mm / 6 × 7.6 × 3.2 inch                      |                      |
| Weight                            | Approx. 1200 g / 42.3 oz (Excluding batteries)              |                      |

\* Specifications subject to change without notice.

## Optional Accessories



### Antifog Eyepiece AE-B1

This prevents fogging on the eyepiece in cold climates.

This device complies with Part 15 of the FCC Rules. Operation is subject to the following two conditions: (1) This device may not cause harmful interference, and (2) this device must accept any interference received, including interference that may cause undesired operation.

Do not make any changes or modifications to the equipment unless otherwise specified in the instructions. If such changes or modifications should be made, you could be required to stop operation of the equipment.

This equipment has been tested and found to comply with the limits for a Class B digital device, pursuant to Part 15 of the FCC Rules. These limits are designed to provide reasonable protection against harmful interference in a residential installation. This equipment generates, uses and can radiate radio frequency energy and, if not installed and used in accordance with the instructions, may cause harmful interference to radio communications. However, there is no guarantee that interference will not occur in a particular installation. If this equipment does cause harmful interference to radio or television reception, which can be determined by turning the equipment off and on, the user is encouraged to try to correct the interference by one or more of the following measures:

- Reorient or relocate the receiving antenna.
- Increase the separation between the equipment and receiver.
- Connect the equipment into an outlet on a circuit different from that to which the receiver is connected.
- Consult the dealer or an experienced radio/ TV technician for help.

CAN ICES-3 (B) / NMB-3 (B)

#### **Only for European Union and EEA (Norway, Iceland and Liechtenstein)**



These symbols indicate that this product is not to be disposed of with your household waste, according to the WEEE Directive (2012/19/EU), the Battery Directive (2006/66/EC) and/or national legislation implementing those Directives.

If a chemical symbol is printed beneath the symbol shown above, in accordance with the Battery Directive, this indicates that a heavy metal (Hg = Mercury, Cd = Cadmium, Pb = Lead) is present in this battery or accumulator at a concentration above an applicable threshold specified in the Battery Directive.

This product should be handed over to a designated collection point, e.g., on an authorized one-for-one basis when you buy a new similar product or to an authorized collection site for recycling waste electrical and electronic equipment (EEE) and batteries and accumulators. Improper handling of this type of waste could have a possible impact on the environment and human health due to potentially hazardous substances that are generally associated with EEE. Your cooperation in the correct disposal of this product will contribute to the effective usage of natural resources.

For more information about the recycling of this product, please contact your local city office, waste authority, approved scheme or your household waste disposal service or visit [www.canon-europe.com/weee](http://www.canon-europe.com/weee), or [www.canon-europe.com/battery](http://www.canon-europe.com/battery).

**Canon**