



**FORWARD F455**

Digital NV  
Attachment

**OPERATING INSTRUCTIONS**

ENGLISH / FRANÇAIS / DEUTSCH / ESPAÑOL / ITALIANO / РУССКИЙ

<b>Digital NV Attachment FORWARD F455</b>	<b>3-11</b>	<b>ENGLISH</b> ▷
<b>L'attache de vision nocturne numerique FORWARD F455</b>	<b>12-20</b>	<b>FRANÇAIS</b> ▷
<b>Digitaler Nachtsichtvorsatz FORWARD F455</b>	<b>21-30</b>	<b>DEUTSCH</b> ▷
<b>Dispositivos NV acoplables FORWARD F455</b>	<b>31-39</b>	<b>ESPAÑOL</b> ▷
<b>Dispositivo notturno digitale FORWARD F455</b>	<b>40-48</b>	<b>ITALIANO</b> ▷
<b>Цифровая насадка НВ FORWARD F455</b>	<b>49-58</b>	<b>РУССКИЙ</b> ▷

## ⚡ Specifications

<b>MODEL</b>	<b>FORWARD F455</b>
<b>SKU#</b>	<b>78186</b>
<b>OPTICAL SPECIFICATIONS</b>	
Lens focus, mm	50
Relative aperture, D/f	1:1
Field of view (horizontal), °	6.3
Field of view (horizontal), m at 100m	11
Max. observation range of an animal 1.7 m high, m	500
Minimum focusing distance, m	5
Recommended magnification of the daytime sight	2-8
<b>ELECTRONIC SPECIFICATIONS</b>	
Sensor type / resolution	CMOS HD 1280X720
Display type / resolution	AMOLED 1746x1000
Sensitivity, mW (wavelength 780nm, 25 lines/mm resolution)	1.5×10 <sup>-5</sup>
Sensitivity, mW (wavelength 915nm, 25 lines/mm resolution)	5.5×10 <sup>-5</sup>
<b>DETACHABLE IR ILLUMINATOR</b>	
Type / wavelength, nm	LED 940
<b>OPERATING FEATURES</b>	
Power supply, V	3.0 – 4.2
Battery type	Li-ion Battery Pack
Capacity	IPS7 (6400 mAh)
Rated Output Voltage	DC 3.7V
External power supply	Micro USB Type B (5V)
Battery life at temp. = 22 ° C (Wi-Fi off, IR off), hrs	9
Maximum recoil power on a rifled weapon, Joules	6000
Maximum recoil power on a smooth-bore weapon, calibre	12
Degree of protection, IP code (IEC60529)	IPX7
Operating temperature, °C/F	-25 ... +50 / -13 ... +122
Dimensions, mm/inch	155x136x77 / 6.1x5.35x3.03
Weight, kg/oz	0.83 / 29.28
<b>VIDEO RECORDER</b>	
Video/photo resolution, pixels	1280x720
Video / photo format	.mp4 / .jpg
Built-in memory	16GB
<b>WI-FI CHANNEL</b>	
Frequency	2.4 GHz
Standard	802.11 b/g/n

Improvements may be made to the design and software of this product to enhance its user features. The current version of the User's Manual may be found on the website [www.pulsar-vision.com](http://www.pulsar-vision.com)

## ⚡ Package Contents

- Digital night vision attachment
- Carrying case
- Battery Pack
- Battery charger
- Mains adapter
- MicroUSB cable
- Quick start guide
- Lens cloth
- Warranty card

## ⚡ Description

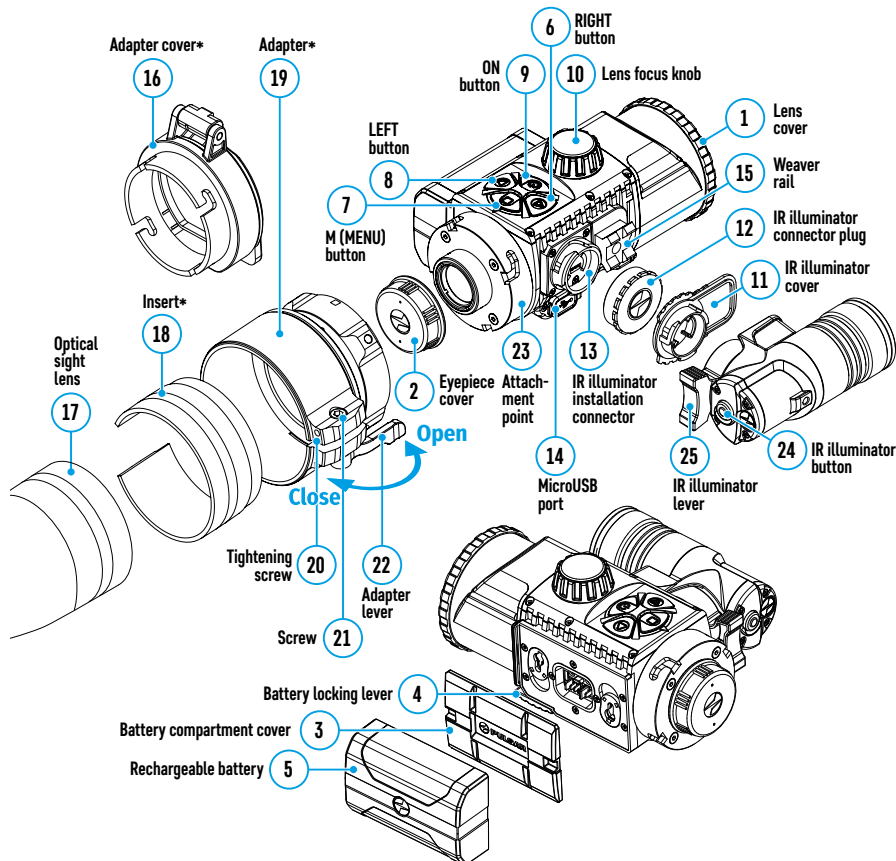
The **Forward F455** digital night vision attachment is a versatile attachment that allows you to quickly and easily transform a daytime optical sight into a night one. The attachment is mounted onto the lens of an optical sight with the aid of adapters designed for various lens diameters. The attachment does not require any additional ranging. The attachment is intended for various applications, including hunting, sport shooting, night photography and video recording, and observation.

## ⚡ Features

- 1280x720 HD sensor
- Enhanced night-time sensitivity
- Simple transformation of daytime optical sight into night sight
- Preserves the benefits of daytime optics in night-time conditions
- Aiming point stability
- Comfortable use in a wide range of daytime optical magnifications
- Invisible long-range IR Illuminator
- **SumLight™** enhanced sensitivity software
- Detection distance of up to 500m
- Instant power up
- Built-in video
- Power from quick-release, high-capacity B-pack rechargeable batteries
- Four-point mounting system with automatic clamp
- Compatibility with other manufacturers' adapters
- High calibre recoil resistance 12 gauge, 9.3x64, 0.375H&H
- Wi-Fi integration with iOS and Android devices
- **Stream Vision.** Remote control surveillance and live YouTube streaming via smartphone
- Remote software updates
- Fully waterproof (IPX7)
- Extreme operating temperature range (-25 ... +50°C / -13F ... +122 F)
- MicroUSB Power Bank charging

## ⚡ Units and controls

1. Lens cover
2. Eyepiece cover
3. Battery compartment cover
4. Battery locking lever
5. Rechargeable battery
6. **RIGHT** button
7. **M (MENU)** button
8. **LEFT** button
9. **ON** button
10. Lens focus knob
11. IR illuminator cover
12. IR illuminator connector plug
13. IR illuminator installation connector
14. MicroUSB port
15. Weaver rail
16. Adapter cover\*
17. Optical sight lens
18. Insert\*
19. Adapter\*
20. Tightening screw
21. Screw
22. Adapter lever
23. Attachment point
24. **IR** button
25. IR illuminator lever



\*Items of Cover Ring Adapter FN (available separately)

## ⚡ Description of Controls

Button	Operating Mode	First brief press	Other brief presses	Long press
<b>ON (9)</b>	Device off	Power on device	–	Power on device
	Display off	Turn display on	–	Turn device off
	Device turned on, quick menu, main menu		–	Display off / device powered off
<b>LEFT (8)</b>	Device turned on	Turn on <b>SumLight™</b>	Turn off <b>SumLight™</b>	Wi-Fi on / Wi-Fi off
	Navigation through menu	Navigation upwards, downwards, counter-clockwise		
	Quick menu	Reduce value		
<b>MENU (7)</b>	Device turned on	Open quick menu		Open main menu
	Navigation through menu	Confirm selection		Exit submenu without confirming selection / exit menu (go to monitoring mode)
	Quick menu	Navigation upwards		Exit quick menu
<b>RIGHT (6)</b>	Device powered on (Video mode)	Start video recording	–	Turn off video recording / Switch to Photo mode
	Device powered on (Photo mode)	Take a photo		Switch to Video mode
	Navigation through menu	Downwards / rightwards / clockwise		Increase value
<b>IR (24)</b>	Device turned on, quick menu, main menu	IR illuminator on switch	Adjust IR strength	IR illuminator off switch

## ⚡ Operating Features

The **Forward F455** attachment is designed for long-term use. Please follow these guidelines to ensure long life and maximum performance:

- Before using the attachment make sure you mount it according to the instructions in the **“Mounting the attachment on an optical sight”** section.
- Power off the attachment after use.
- Do not repair or dismantle a attachment under guarantee by yourself!
- The attachment can be used over a wide range of temperatures. If the attachment has been operated in the cold and brought into a warm room, do not remove it from its carrying case for at least 2-3 hours; this will prevent condensation forming on the external optical elements.
- Inspect and maintain the attachment regularly to ensure trouble-free operation and to avert and eliminate the cases of premature wear and tear and failure of components.
- The battery must not be exposed to excessive heat from the sun's rays, fire or other heat sources.

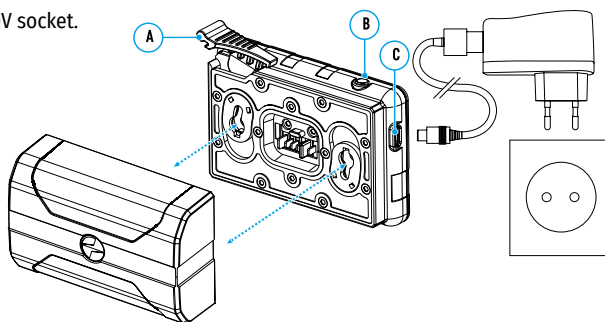
## ⚡ Using the Battery Pack

The **Forward F455** attachment is supplied with a rechargeable IPS7 Lithium-ion Battery Pack which allows the attachment to be used for up to 9 hours. Charge the battery before first use.

### Charging the Battery Pack:

- Attach the microUSB plug of the USB cable to the microUSB connector **(C)** on the charger.
- Connect the USB plug on the cable to the mains adapter.

- Plug the mains connector into a 110-220V socket.
- Raise the lever **(A)** of the charger.
- Remove the protective cover from the battery.
- Insert the battery into the charger as shown in the diagram and secure the handle **(A)**.



- Once installed on the charger, a green LED indicator **(B)** start to glow and begin flashing:
  - once when the battery charge is from 0% to 50%;
  - twice when the battery charge is from 51 to 75%;
  - three times when the battery charge is from 76% to 100%.
- When the indicator is continuously green, the battery is fully charged. Disconnect the charger from the mains and disconnect the battery from the charger.
- If the battery charger indicator is constantly red when the battery is inserted, the charge level is probably below the permissible level (the battery has been in a discharged state for a long period of time). Leave the battery in the charger for a long period of time (up to several hours), then remove and reinsert.
- If the indicator begins to flash green, the battery is operational.
- If it continues to show red, the battery is defective. Do not use this battery!

**Attention!** When charging, always use the charger supplied with the attachment package or a Pulsar IPS charger (sold separately). The use of other chargers may cause irreparable damage to the battery.

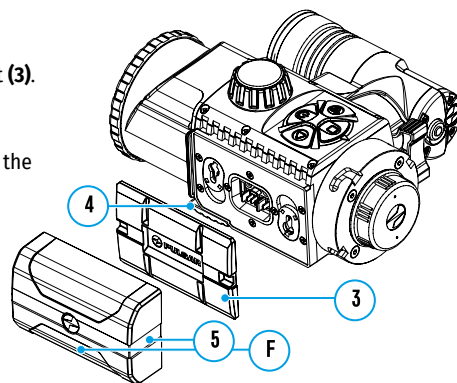
#### Installing the Battery Pack

- Lower the lever **(4)**.
- Remove the protective cover of the battery compartment **(3)**.
- Remove the protective cover from the battery **(5)**.
- Insert the battery **(5)** into the slot designed for it on the attachment body so that the battery **F** (the protrusion of the battery casing) is pointing downwards.
- Lock the battery in place by raising the lever **(4)**.

**Attention!** External power may be supplied from an external source, such as a 5V Power Bank. Connect an external power source to the attachment by connecting the USB cable to the attachment's microUSB port **(14)** (See Section **"External Power Supply"**).

#### Safety measures:

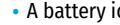

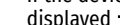
- Do not use the charger if it has been modified or damaged.
- Do not leave a battery unattended during charging.
- Do not leave a charger with a battery connected to the mains for more than 24 hours after full charge.
- The battery should be charged at a temperature between 0° C and +45° C, otherwise the battery life will be significantly reduced.
- Do not charge the battery immediately after bringing it from the cold into a warm atmosphere. Wait 30–40 minutes for the battery to warm up.
- Do not expose the battery to high temperatures or naked flame.
- Do not submerge the battery in water.
- The connecting of third-party devices with an energy consumption greater than permissible is not recommended.



- The battery is equipped with a short circuit protection system. However, situations that may lead to short circuiting should be avoided.
- Do not dismantle or deform the Battery Pack.
- Do not subject the Battery Pack to shocks or falls.
- After being stored for a long time, the battery should be partially charged – it should not be fully charged or completely discharged.
- Store the battery out of the reach of children.

## ⚡ External Power Supply

External power is supplied from an external source, such as a 5V Power Bank.


- Attach the external power source to the USB connector **(14)** on the device.
- The device will switch to operation from the external power supply, while the IPS7 battery will be gradually recharged.
- A battery icon  will appear on the display showing charge level as a percentage.
- If the device is connected to a computer, network adapter or power bank that does not conform to the BC1.0 battery charger standard, an IPS7 battery will not begin charging; the external power icon only will be displayed .
- If the device is operated from an external power source and the IPS7 battery is not connected, an icon is displayed .
- Once the external power source is disconnected, the adapter will begin functioning on battery power.

## ⚡ Operation


### Mounting the attachment on an optical sight


- Select the adapter (available separately) with the required diameter of insert depending on the outer diameter of the lens of your optical sight (see the Table).
- The designation 42mm / 50mm / 56mm in the title of the adapter refers to the optical diameter of the lens in the optical sight.
- Remove the cap **(16)** from the adapter **(19)** by turning it clockwise.
- Degreasing of the lens body of the sight before mounting is recommended.
- Mount the insert **(18)** onto the adapter **(19)** as far as it will go.
- Mount the adapter with the insert into the day sight **(17)**.
- Move the lever **(22)** from its initial OPEN position to the CLOSE position.
- Ensure that the adapter fits snugly against the lens.
  - If there is any gap, do the following:
    - Loosen the locking screw **(20)** with an Allen key (S=2mm).
    - Tighten the screw **(21)** with an Allen key (S=4mm) with the force necessary to ensure that the adapter fits tightly against the lens. The clamping forces should be 1 Nm.
    - Tighten the locking screw **(20)**.
- The effort can be tested with a torque screwdriver.
- Insert the digital module firmly into the adapter so that the pins located in the adapter case fit into the grooves **(23)** of the digital module. Turn the digital module clockwise as far as it will go. The triangular mark on the digital module and the square on the adapter body must be aligned.
- To align the attachment, turn the handle **(22)** to the **OPEN** position and align the attachment with the horizon.




**Brightness of icons**  This menu item sets the brightness of icons on the attachment display.

- Press and hold the **M** button (7) to enter the main menu.
- Select the brightness level of the icons with the **RIGHT** (6) and **LEFT** (8) buttons.
- A short press of the **M** button (7) opens the submenu.
- Select the brightness level of the icons with the **RIGHT** (6) and **LEFT** (8) buttons.
- To save your choice and exit the submenu, press and hold down the **M** button (7).

**Wi-Fi Settings**  This option enables you to configure the device to operate on a Wi-Fi network.  
**Note:** Wi-Fi is turned on/off with a long press of the **LEFT** button (8).

**Setting a password**  This submenu allows you to set a password to access the attachment from an external device. This password is used when linking an external device (e.g. a smartphone) to the attachment.


- Press and hold the **M** button (7) to enter the main menu.
- Select Wi-Fi tuning menu function using the **RIGHT** (6) and **LEFT** (8) buttons.
- A short press of the **M** button (7) opens the submenu.
- Select the Password Set-up submenu using the **RIGHT** (6) and **LEFT** (8) buttons.
- A short press of the **M** button (7) opens the submenu.
- The default password (12345678) will appear on the screen.
- Set your desired password with the **RIGHT** (6) / **LEFT** (8) buttons. The **RIGHT** button increases the value and the **LEFT** button reduces it. Press the **M** button (7) to toggle the digits.
- Press and hold down the **M** button (7) to save the password and exit the submenu.

**Setting Access Levels**  This sub-function enables you to configure the appropriate level of access to your device made available to the **Stream Vision** app.


**Owner level.** A **Stream Vision** user has full access to all the device's functions.

**Guest level.** A **Stream Vision** user is only able to view video footage from the device in real time.



- Press and hold the **M** button (7) to enter the main menu.
- Select Wi-Fi tuning menu function using the **RIGHT** (6) and **LEFT** (8) buttons.
- A short press of the **M** button (7) opens the submenu.
- Select the Access Level Set-up submenu with the **RIGHT** (6) and **LEFT** (8) buttons.
- Select "Owner" or "Guest" with the **RIGHT** (6) and **LEFT** (8) buttons.
- To confirm your choice and exit the submenu, press and hold down the **M** button (7).

**General Settings**  This menu item allows you to program the following settings:


• Language	• Time	• Default
• Date	• Formatting	Settings

**Language**  **Interface language selection**

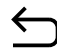
- Press and hold the **M** button (7) to enter the main menu.
- Select the submenu "General settings" with the **RIGHT** (6) and **LEFT** (8) buttons.
- A short press of the **M** button (7) opens the submenu.
- Select the "Language" submenu with the **RIGHT** (6) and **LEFT** (8) buttons.
- A short press of the **M** button (7) opens the submenu.
- Select one of the available interface languages (English, French, German, Spanish or Russian) with the **RIGHT** (6) and **LEFT** (8) buttons.
- To save your choice and exit the submenu, press and hold down the **M** button (7).

**General Settings**  **Date**  **Setting the Date**

- Press and hold the **M** button (7) to enter the main menu.
- Select the submenu "General settings" with the **RIGHT** (6) and **LEFT** (8) buttons.
- A short press of the **M** button (7) opens the submenu.
- Select the "Date" submenu with the **RIGHT** (6) and **LEFT** (8) buttons.
- A short press of the **M** button (7) opens the submenu.
- The date appears in dd/mm/yyyy format (12/04/2019).
- Set the required year, month and day with the **RIGHT** (6) and **LEFT** (8) buttons (the **RIGHT** (6) button increases the value and the **LEFT** (8) button reduces it). Press the **M** button (7) to toggle the digits.
- To save your chosen date and exit the submenu, press and hold the **M** button (7).

**Time**  **Setting the Time**

- Press and hold the **M** button (7) to enter the main menu.
- Select the submenu "General settings" with the **RIGHT** (6) and **LEFT** (8) buttons.
- A short press of the **M** button (7) opens the submenu.
- Select the "Time" submenu with the **RIGHT** (6) and **LEFT** (8) buttons.
- A short press of the **M** button (7) opens the submenu.
- Select the time format (24-hour clock or AM/PM) by pressing the **RIGHT** (6) and **LEFT** (8) buttons.
- Press the **M** button (7) to move to the hour setting.
- Set the hour with the **RIGHT** (6) and **LEFT** (8) buttons. The **RIGHT** (6) button increases the value and the **LEFT** (8) button reduces it.
- Press the **M** button (7) to move to the minute setting.
- Set the minute by pressing the **RIGHT** (6) and **LEFT** (8) buttons.
- To save your chosen time and exit the submenu, press and hold the **M** button (7).

**Return to default settings** 

- Press and hold the **M** button (7) to enter the main menu.
- Select the submenu "General settings" with the **RIGHT** (6) and **LEFT** (8) buttons.
- A short press of the **M** button (7) opens the submenu.
- Select the "Default settings" submenu using the **RIGHT** (6) and **LEFT** (8) buttons.
- A short press of the **M** button (7) opens the submenu.
- Select the 'YES' option to reset to factory settings or 'NO' to cancel using the **RIGHT** (6) and **LEFT** (8) buttons.
- Confirm your selection with a short press of the **M** button (7).

The following settings will be restored to their factory state before being set by the user:


**Brightness level** – 10

**Contrast level** – 8

**Language** – English

**Wi-Fi** – off (default password)

**Auto shutdown** – off

**Formatting**  Formatting the built-in memory card permanently deletes all of the recorded files.

**Attention!** Make sure that you no longer need the files to be deleted or create a backup on other media.

- Press and hold the **M** button (7) to enter the main menu.
- Select the submenu "General settings" with the **RIGHT** (6) and **LEFT** (8) buttons.
- A short press of the **M** button (7) opens the submenu.
- Select the "Formatting" submenu with the **RIGHT** (6) and **LEFT** (8) buttons.
- A short press of the **M** button (7) opens the submenu.
- Select the 'YES' option to format or 'NO' to cancel using the **RIGHT** (6) and **LEFT** (8) buttons.
- Confirm your selection with a short press of the **M** button (7).

**Auto shutdown** This function enables you to activate automatic shutdown of the device after a certain period of time when it is tilted horizontally or vertically by more than 70°, or right or left by more than 30°. In such case, the device controls should not be activated.



- Press and hold the **M** button (7) to enter the main menu.
- Select the “Auto shutdown” menu with the **RIGHT** (6) and **LEFT** (8) buttons.
- A short press of the **M** button (7) opens the submenu.
- Use the **RIGHT** (6) and **LEFT** (8) buttons to select the time period after which the device will automatically turn off (1 min; 3 min; 5 min), or select “Off” if you want to deactivate the automatic shutdown function.
- Confirm your selection with a short press of the **M** button (7).

**Note:** the status bar will display “Auto shutdown” status icon  1 min.

**Device Information** • Press and hold the **M** button (7) to enter the main menu.  
• Select the “Device information” menu with the **RIGHT** (6) and **LEFT** (8) buttons.




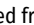
• A short press of the **M** button (7) opens the submenu.  
The user has access to the following information about the device:

- full name
- SKU number
- serial number
- software version
- hardware version
- service information

## ⚡ Status Bar



The status bar is located in the lower part of the display and shows information on the current operational status of the attachment, including:

- The **SumLight™** function
- Auto shutdown function  1 min (if switched on)
- IR illuminator power level (e.g. Level 3)
- Wi-Fi connection
- Clock
- Battery Pack charge level (when the device is powered by the Battery Pack)
- External battery power indicator  (if the device is powered from an external supply) or
- Battery charge indicator with current charge in per cent (where charging is by an external power supply)

**Note:** when increasing the magnification of the optical device on which the attachment is mounted, the status bar may partially or completely go beyond the boundaries of the visible image.

## ⚡ IR Illuminator

The attachment is equipped with a detachable IR Illuminator operating on a wavelength of 940 nm, which increases observation range in lowlight conditions and in darkness. Other Pulsar IR illuminators (purchased separately) may be installed instead of the included IR illuminator.

- Remove the cap (12) from the connector to attach the IR illuminator (13).
- Remove the cover (11) from the IR illuminator.
- Mount the IR illuminator on the device. The lever (25) should be in the up position.
- Lock the IR illuminator by pressing the lever (25) down
- Turn on the device using the **ON** button (9) to activate the IR illuminator.

• The status bar will display a disabled illuminator icon if the IR illuminator is not connected. This icon is not displayed when the IR illuminator is connected.

• Briefly press the **IR** button (24) at the end of the illuminator. The power level when switching on is minimum **IR** :

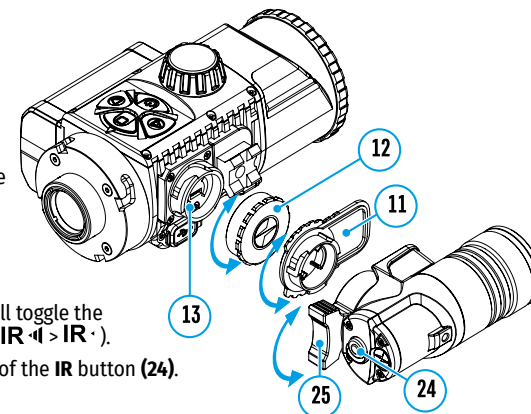
• The IR illuminator icon will be displayed on the status bar with the relevant power level.

• Successive brief presses of the **IR** button (24) will toggle the brightness level of the illuminator (**IR** · >**IR** · <> **IR** · < > **IR** ·).

• The IR illuminator is turned off by a long press of the **IR** button (24).




• The IR icon will disappear from the screen.

**Note:** When the IR is turned off, the power level is not saved in the device's memory. When the device is powered on, the illuminator is turned on at minimum power level – IR1.

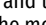
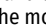
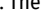


## ⚡ Wi-Fi Function

- The device has a function for wireless communication with external devices (smartphone or tablet ) via Wi-Fi.
- Turn on the wireless connection module with a long press of the **LEFT** button (8). Wireless operation is displayed in the status bar in the following way:

Wi-Fi disconnected	No icon
Wi-Fi turned on by the user, Wi-Fi connection in the device is in progress.	
Wi-Fi turned on, no connection to the device	
Wi-Fi turned on, the device is connected	

The device is recognised by a mobile device under the label “Forward F\_XXXX”, where XXXX are the four last digits of the serial number.

Once the password has been entered on the mobile device (for more information on setting a password, see the subsection “**Wi-Fi Settings**” in the “**Main Menu Functions**” section of the instructions) and the connection has been established , the icon in the status bar changes to , the video signal on the mobile device screen starts after the “viewfinder” button is activated on the screen of the mobile device. The icon in the status bar changes to .

**Note:** you can configure the required access level to your device that is granted to the **Stream Vision** application in the “**Setting Access Levels**” menu section.

## ⚡ The “SumLight™” function

The **SumLight™** function substantially increases the sensitivity of the CMOS array in the event of a reduction in the light level, thus enabling observation in conditions of low light without using the IR illuminator.

- To activate the **SumLight™** function, press briefly the **LEFT** (8) button.
- Press the **LEFT** button (8) once more to switch off.
- The **SumLight™** icon (on **S** or **S** off) is displayed in the status bar.

**Attention!** When the **SumLight™** function is activated, the noise level in the image increases, the frame rate decreases and the image slows down. Any sharp movement of the device may cause the image to become “blurred”. Such effects are not defects. Luminous white dots (pixels) may be visible on the device's display. The number of dots may increase when the **SumLight™** function is enabled. This is due to the peculiarities of this function and is also not a defect.


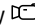


## ⚡ Video Recording and Photography

The device is equipped with a function for video recording (and photographing) an observed image that is saved onto the built-in memory card.

Before using the photo and video functions, read the subsections “[Setting the Date](#)”, “[Setting the Time](#)” in the “[Main menu functions](#)” section.

The built-in recorder operates in two modes:

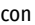
- **Photo** (photography; in the top right corner of the display you can see an icon ). If the estimated number of photos that can be saved to the Flash card is more than 100, the message “>100” is shown.
- **Video** (video recording; an icon is displayed in the upper left of the display , the total remaining recording time given the current resolution in HH:MM:SS format (hours : minutes : seconds).

When powered on, the device is in Video mode. To toggle between Video and Photo modes press and hold down the **RIGHT** button (6). Switching between the modes toggles Video→ Photo→ Video...

### PHOTO mode. Photographing an image

- Switch to PHOTO mode with a long press of the **RIGHT** button (6).
- To take a photograph, press the **RIGHT** button (6) briefly. The image freezes for 0.5 sec.
- The photo is saved to the internal memory.

### Video Mode Recording video clips

- Engage Video mode with a long press of the **RIGHT** button (6).
- Start video recording with a short press of the **RIGHT** button (6).
- When video recording starts, the recording icon  will disappear, a REC icon appears instead and the recording timer displaying in MM:SS (minutes : seconds) format;
- Stop the video recording by pressing and holding down the **RIGHT** button (6).
- Video files are stored in the internal memory card after video recording has been turned off.

\* an icon will be displayed for 2 seconds and then disappear. When the **RIGHT** button (6) is briefly pressed again, an icon will appear and the recording timer will show the current time of the video recording.

### Notes:

- After turning off the video recorder / taking a photo, when you turn off the device if the recorder had been turned on; if the memory card is full, or if during a video recording the memory becomes full (a “Memory full” message appears on the display).
- You can enter and navigate the menu during video recording;
- Recorded videos and photographs are saved to the device’s built-in memory card in the format: img\_xxx.jpg (for photos); video\_xxx.mp4 (for video). xxx - three-digit common file counter (for photos and video);
- The counter used for the names of multimedia files cannot be reset.
- If a file is deleted from the middle of the list, its number is not taken by another file.
- When the counter is full, a new folder is created – img\_xxxx, where xxxx is the file counter.
- The maximum duration of a recorded video file is seven minutes. After this time expires, a video is recorded onto a new file. The number of files is limited by the capacity of the device’s built-in memory;
- Regularly check the free memory on the internal memory card, moving footage and photographs to other storage media to free up space.
- Graphic information (status bar, icons etc.) is displayed in recorded video files and photos.

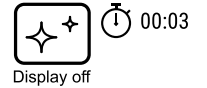
## ⚡ Display Off Function

When this function is in use, the device switches to standby mode, which allows it to be turned off quickly if necessary.

Options for working with the “**Display Off**” function

**Option 1.** Device is powered off Turn the device on and turn on the “**Display Off**” function.

- Turn the device on with a short press of the **ON** button (9).
- Turn on the “**Display Off**” function: press and hold the **ON** button (9). A “Display off” message will appear on the screen together with a countdown.
- Release the **ON** button (9).
- Briefly press **ON** (9) to turn off the “**Display Off**” function.



**Option 2.** The “**Display Off**” function is on; the device should be powered off.

- Press and hold the **ON** button (9). A “Display off” message will appear on the screen together with a 3, 2, 1, 0 countdown.
- Hold down the **ON** button (9) until the device powers off (turning off will happen after 0 on the countdown)\*.

\* a delay to shutdown of the device is possible in connection with completion of data saving by the processor. In this case, the countdown display shows 0.

## ⚡ USB Connection


- Power on the device by pressing the **ON** button (9) (the computer will not detect the device if it is turned off).
- Connect one end of the USB cable to the device’s microUSB connector (14) and the other end to the port on your computer.
- The device is detected automatically by the computer and no installation of drivers is required.
- Two connection modes will appear on the display: **Memory card** and **Power**.
- Select the connection mode with the **RIGHT** (6) and **LEFT** (8) buttons.
- A short press of the **M** button (7) confirms the selection.

### Connection options:

#### Memory card.

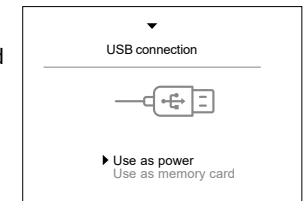
- When this mode is selected, the device will be recognised by the computer as a flash card. This option is designed for working with files that are stored in the device’s memory; the device’s functions are not accessible and the device turns itself off. The device continues to function after disconnection from the computer.
- If a video was being recorded at the time of connection, the recording will cease and will be saved.

#### Power.

- When this mode is selected, the computer is used by the device as an external power supply. An icon will appear in the status bar . The device will continue to function and all functions are available.
- The battery pack installed in the device will not be charged.

#### Disabling the USB.

- When the USB is disconnected from the device connected in **Memory card** mode, the device remains switched on.
- When disconnecting the USB from the device in **Power** mode, the device will continue to function with the Battery Pack, if it is available and has sufficient charge.



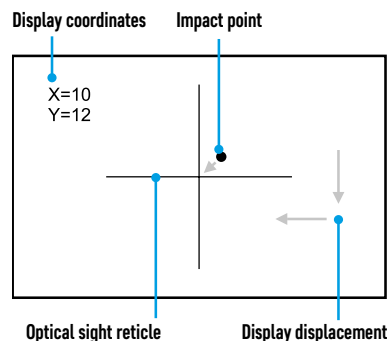
## ⚡ Using the Weaver Rail

The device is equipped with a Weaver rail (15) which allows the user to mount extra accessories. You must first detach the removeable IR illuminator (See Section “[IR Illuminator](#)”).

## ⚡ Display Calibration

The attachment is configured so that after fitting onto an optical sight that had been properly zeroed, no adjustment of the aiming point is required. If your attachment has been subjected to a sharp blow, or has been dropped, you may check the impact point and correct it yourself if required, without having to take it to the service centre.

- To enter display calibration mode, first press and hold the **M** button (7) for 10 seconds.
- The display coordinates X=0; Y=0 will appear.
- Use the **LEFT** (8) and **RIGHT** (6) buttons to move the display horizontally (X axis) and vertically (Y axis) so that the point of impact moves to the centre of the aiming mark of your optical sight.
- Press the **M** button (7) to toggle between the X and Y coordinates.
- The image offset is 1 sensor pixel.
- The image offset range is +/- 20 pixels horizontally (X axis), +/- 20 pixels vertically (Y axis).
- To exit the menu and save the settings, press and hold the **M** button (7) for two seconds.



## ⚡ Stream Vision

Forward attachments support **Stream Vision** technology, which allows you to stream an image from the thermal imager to your smartphone or tablet PC via Wi-Fi in real time mode.

You can find detailed instructions on the operation of **Stream Vision** technology online at [www.pulsar-vision.com](http://www.pulsar-vision.com).

**Note:** the device's design includes the possibility of firmware updates. Updating is possible via the **Stream Vision** app. Scan or press on a QR code to download the application:



## ⚡ Technical Inspection

A check is recommended before each use of the device.

### Check:

- External appearance (there should be no cracks on the housing).
- The condition of the lens and eyepiece the digital module and the lens of the IR illuminator (there should be no cracks, grease spots, dirt or other residue). Wipe the exterior surfaces of metal and plastic parts free from dust, dirt and moisture with a soft, cotton cloth.
- The state of the Battery Pack (should be charged) and the electric terminals (there should be no sign of salts or oxidation).
- The controls should be in working order.
- The digital module should be properly and firmly attached to the optical device.

## ⚡ Technical Maintenance

Technical maintenance should be carried out at least twice a year and include the following steps:

- Wipe the external surfaces of metal and plastic parts free of dust and dirt with a cotton cloth. Silicone grease may be used for this.
- Clean the electric terminals of the Battery Pack and battery slot on the device using a non-greasy organic solvent.
- Check the glass surfaces of the eyepiece and the lens. If necessary, remove dust and sand from the lenses (preferably using a non-contact method). Cleaning of the external surfaces of the optics should be done with substances designed especially for this purpose.

## ⚡ Storage

Always store the device in its carrying case, in a dry, well-ventilated space. It is essential during prolonged storage to remove the Battery Pack.

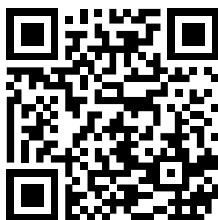
## ⚡ Troubleshooting

Malfunction	Possible reason	Correction
The device will not power on.	Battery Pack is completely discharged.	Charge the battery.
Does not operate from external power source.	USB cable damaged.	Replace USB cable.
	External power source discharged.	Charge the external power source.
Smartphone or tablet cannot be connected to the device.	Device password has been changed.	Delete the network and reconnect using the device password.
	The device is in an area with a large number of Wi-Fi networks that may cause interference.	To ensure stable Wi-Fi operation, relocate the device to an area with fewer Wi-Fi networks, or into an area with none.
Wi-Fi signal non-existent or interrupted.	Device is outside the area of Wi-Fi coverage. There are obstacles between the device and the receiver (e.g. concrete walls).	Relocate the device into direct line of sight of the Wi-Fi signal.
Poor image quality.	These problems may occur during observation in difficult weather conditions (snow, rain, fog etc.).	
Image is too dark.	Low brightness or contrast level set.	Adjust brightness or contrast.
Coloured lines appear on display or image has disappeared.	The device was exposed to static electricity during operation.	After exposure to static electricity, the device may either reboot automatically, or require turning off and on again.
	Dust or condensation on the interior or exterior optical surfaces of the lens.	Wipe the exterior optical surfaces with a soft cotton cloth. Dry it. Let it stand for 4 hours in a warm room.
There is a clear image of the aiming mark, but a fuzzy image of the object.	The lens will not focus.	Adjust the sharpness by rotating the lens adjuster.
	Position of the attachment on the day sight requires adjusting.	Remove the attachment and set the display to the centre of the field of vision (see section “ <a href="#">Operation</a> ”).
The display is not centred.		

Malfunction	Possible reason	Correction
The device will not focus.	Incorrect setting.	Adjust the device in accordance with section <b>“Operation”</b> . Check the outer surfaces of the lens and eyepiece; where necessary, wipe them free from dust, condensate, frost, etc. In cold weather, you can use special anti-fogging coatings (as, for example, for corrective glasses).
Impact point does not coincide with aiming point.	Display calibration required.	Calibrate the display in accordance with the instruction in the section, <b>“Display Calibration”</b> .
	The device is not securely mounted on the sight, or the sight on the weapon.	Check that the device is firmly fixed on the sight and that the mounting of the sight to the weapon is secure. Ensure that you are using the very type of ammunition that was previously fired from your weapon. If you zero a sight in summer and then use it in winter (or vice versa), some change in the zero point of the zeroing cannot be discounted.
The attachment slides off the sight during firing.	Adapter insufficiently clamped. Unsuitable insert selected.	Select a suitable insert and clamp the adapter as recommended.
Cannot open the adapter clamp.	Unsuitable insert selected.	Select a suitable insert. Check for a gap between the lips of the adapter.

By following the link below you can find answers to the most frequently asked questions

<https://www.pulsar-nv.com/glo/support/faq/79>



#### Electromagnetic compatibility.

This product complies with the requirements of European standard EN 55032: 2015, Class A.

**Caution:** Operating this product in a residential area may cause radio interference.

**Attention!** Forward digital night vision devices require a licence if exported outside your country.



#### Environment protection first!

Your appliance contains valuable materials which can be recovered or recycled.

Leave it at a local civic waste collection point.

## ⚡ Spécifications techniques

MODÈLE	FORWARD F455
SKU #	78186
<b>CARACTÉRISTIQUES OPTIQUES</b>	
Mise au point d'objectif, mm	50
Ouverture du diaphragme, D/f'	1: 1
Champ de vision (horizontal), °	6.3
Champ de vision (horizontal), m@ 100m	11
Distance d'observation maximale d'animaux de hauteur 1,7m, m	500
Distance minimum de mise au point, m	5
Distance recommandée du viseur de jour, frêq	2-8
<b>SPÉCIFICATIONS ÉLECTRONIQUES</b>	
Type de capteur et résolution	CMOS HD 1280X720
Type d'écran et résolution	AMOLED 1746x1000
Sensibilité de l'appareil, mW (longueur d'onde 780 nm, résolution 25 pièces/ mm)	1,5×10 <sup>-5</sup>
Sensibilité de l'appareil, mW (longueur d'onde de 915 nm, résolution 25 pièces/ mm)	5,5×10 <sup>-5</sup>
<b>ILLUMINATEUR IR DÉTACHABLE</b>	
Type/ longueur d'onde, nm	LED 940
<b>CARACTÉRISTIQUES DE FONCTIONNEMENT</b>	
Alimentation électrique, V	3,0 - 4,2
Type / Capacité batterie / Tension nominale de sortie	Batterie lithium-ion IPS7/ 6400 mAh/ DC 3,7V
Alimentation interne	Micro USB Type-B (5V)
Durée de vie de la batterie à t = 22°C, h (Wi-Fi éteint, IR éteint)	9
Résistance d'impact maximum sur Une carabine, joules	6000
Résistance d'impact maximum Carabine à tube lisse, calibre	12
Degré de protection, code IP (IEC60529)	IPX7
Température de fonctionnement, °C	-25 ÷ +50
Dimensions, mm	155x136x77
Poids, kg	0,83
<b>ENREGISTREUR VIDÉO</b>	
Résolution vidéo/ photo, pixels	1280x720
Format vidéo/ photo	.mp4 / .jpg
Mémoire intégrée	16 GB
<b>CANAL WI-FI</b>	
Fréquence	2,4 GHz
Standard	802.11 b/g/n

La configuration peut être modifiée afin d'améliorer l'utilisation d'un appareil.

La version actuelle du manuel d'utilisation est disponible sur [www.pulsar-vision.com](http://www.pulsar-vision.com)

## ⚡ Lot de livraison

- Dispositif de vision nocturne numérique
- Boîtier
- Batterie rechargeable
- Chargeur de batterie
- Adaptateur réseau
- Câble microUSB
- Manuel d'utilisation
- Lingettes pour nettoyer l'optique
- Certificat de garantie

## ⚡ Description

L'appareil de vision nocturne numérique **Forward F455** est un appareil universel qui permet de transformer rapidement et facilement un viseur optique de jour en un viseur nocturne. L'appareil est monté sur un objectif de viseur optique à l'aide des adaptateurs conçus pour différents diamètres des objectifs. L'appareil ne nécessite aucun ajustage de tir supplémentaire. L'appareil est conçu pour diverses applications, notamment la chasse, le tir sportif, la photographie et la vidéo de nuit, l'observation.

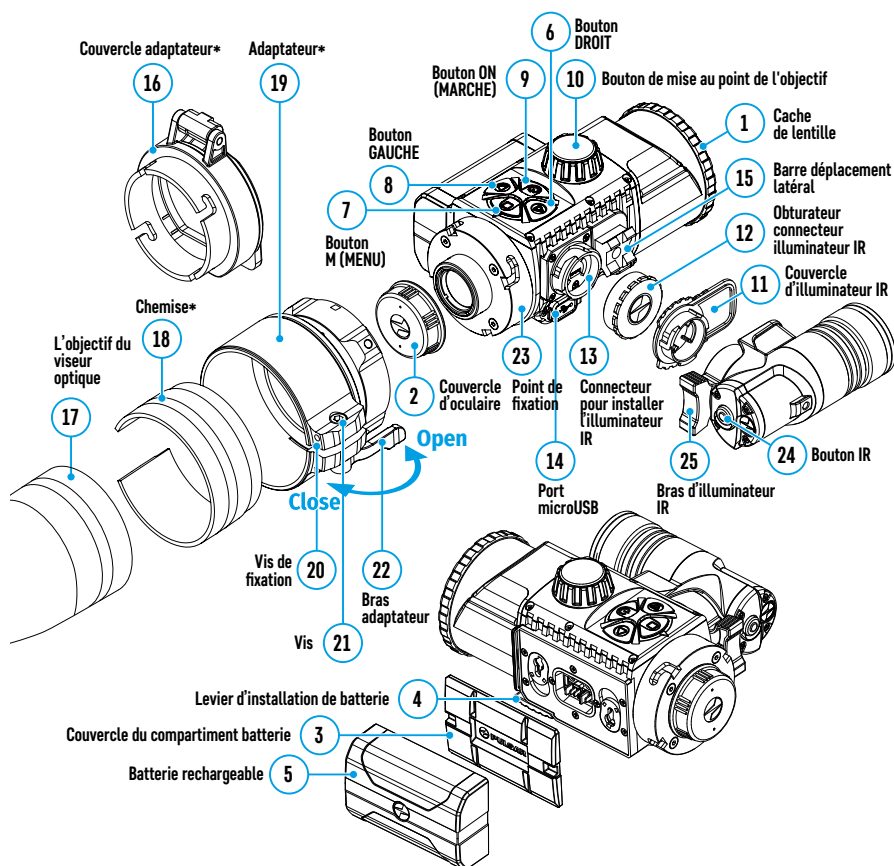
## ⚡ Caractéristiques

### Caractéristiques principales:

- Capteur HD 1280x720
- Sensibilité nocturne élevée
- Transformation simple du viseur optique de jour en celui de nuit
- Maintien des avantages de l'optique de jour la nuit
- Stabilité de point à viser
- Utilisation confortable dans une large gamme d'optiques à la lumière du jour
- Illuminateur IR longue portée invisible
- Fonction d'augmentation supplémentaire de la sensibilité **SumLight™**
- Distance de détection jusqu'à 500 m
- Démarrage instantané
- Enregistrement vidéo intégré
- Alimentation des batteries rechargeables haute capacité à changement rapide du système B-Pack
- Système de montage à quatre points avec pince automatique
- Compatibilité avec les adaptateurs d'autres fabricants
- Résistance aux chocs en cas de gros calibres: 12 cal., 9.3x64, .375H&H
- Wi-Fi. Intégration avec les appareils IOS et Android
- **Stream Vision.** Contrôle à distance, surveillance et diffusion en direct sur YouTube via un smartphone
- Mise à jour de logicielle à distance
- Étanchéité complète (IPX7)
- Large plage de température de fonctionnement (-25 ÷ +50°C)
- MicroUSB. Support d'alimentation Power Bank

## ⚡ Unités et commandes

1. Cache de lentille
2. Couverture d'oculaire
3. Couverture du compartiment batterie
4. Levier d'installation de batterie
5. Batterie rechargeable
6. Bouton **DROIT**
7. Bouton **M (MENU)**
8. Bouton **GAUCHE**
9. Bouton **ON (MARCHE)**
10. Bouton de mise au point de l'objectif
11. Couverture d'illuminateur IR
12. Obturateur connecteur illuminateur IR
13. Connecteur pour installer l'illuminateur IR
14. Port microUSB
15. Barre déplacement latéral
16. Couverture adaptateur\*
17. Lentille d'observation d'appareil optique
18. Chemise\*
19. Adaptateur\*
20. Vis de fixation
21. Vis
22. Bras adaptateur
23. Point de fixation
24. Bouton **IR**
25. Bras d'illuminateur IR



\*Éléments de Clapet de protection de l'objectif FN (disponible séparément)

## ⚡ Fonctionnement des boutons

Bouton	Mode de fonctionnement	Premier appui court	Appuis courts suivants	Appui long
<b>ON (9)</b>	L'appareil est éteint	Allumage de l'appareil	–	Allumage de l'appareil
	L'appareil d'affichage est éteint	Allumage de l'appareil d'affichage	–	Extinction de l'appareil d'affichage
	L'appareil est allumé, menu de lancement rapide, menu principal	–	–	Éteindre l'appareil d'affichage/ éteindre l'appareil
<b>GAUCHE (8)</b>	L'appareil est allumé	Allumage <b>SumLight™</b>	Extinction <b>SumLight™</b>	WiFi allumé/ WiFi éteint
	Navigation dans le menu	Naviguer vers le haut, à gauche, dans le sens antihoraire		
	Menu de lancement rapide	Réduction des paramètres		
<b>MENU (7)</b>	Appareil est allumé	Lancez le menu rapide		Lancez le menu principal
	Navigation dans le menu	Confirmer la sélection		Quitter le sous-menu sans confirmer la sélection/ quitter le menu (passer en mode surveillance)
	Menu de lancement rapide	Naviguer vers le haut		Quitter le menu de lancement rapide
<b>DROITE (6)</b>	Appareil est allumé (mode vidéo)	Démarrer l'enregistrement vidéo	–	Eteindre l'enregistrement vidéo/ passer en mode «Photo»
	Appareil allumé (mode «Photo»)	Prendre une photo		Passer en mode «Vidéo»
	Navigation dans le menu	En bas/ A droite/ dans le sens horaire		
<b>IR (24)</b>	Menu de lancement rapide	Augmenter le paramètre		
	L'appareil est allumé, menu de lancement rapide, menu principal	Activer IR	Changer la puissance IR	Désactiver IR

## ⚡ Caractéristiques de l'utilisation

L'appareil **Forward F455** est conçu pour une utilisation à long terme. Pour assurer la durabilité et la performance complète, suivez les instructions ci-dessous:

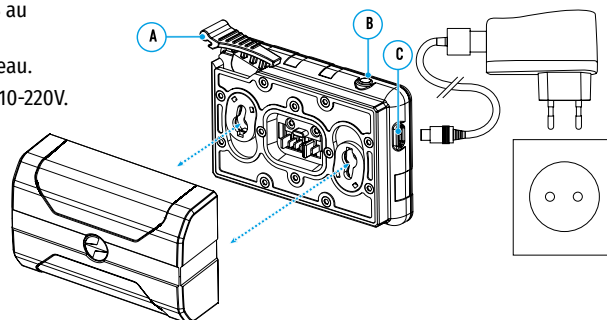
- Avant d'utiliser l'appareil, assurez-vous de l'installer conformément aux instructions de la section **«Installation du dispositif sur le viseur optique»**.
- Éteignez l'appareil après l'utilisation.
- Il est interdit de réparer et de démonter indépendamment un appareil de garantie!
- L'appareil peut être utilisé dans une large plage de température. Si l'appareil a été utilisé dans le froid et a été amené dans une pièce chaude, ne le retirez pas du boîtier pendant 2-3 heures. Cela empêchera la condensation sur les éléments optiques externes.
- Pour garantir un bon fonctionnement, prévoir et éliminer les causes d'usure prématurée ou de défaillance des composants et des pièces, effectuez rapidement un contrôle technique et un entretien de l'appareil.
- La batterie ne doit pas être exposée à une chaleur excessive due au soleil, au feu ou à d'autres sources de chaleur.

## ⚡ Utilisation de la batterie

L'appareil **Forward F455** est livré avec une batterie Li-ion rechargeable IPS7, ce qui permet d'utiliser l'appareil jusqu'à 9 heures. Chargez complètement la batterie avant la première utilisation.

### Charge de la batterie:

- Connectez la fiche microUSB du câble USB au connecteur **(C)** du chargeur.
- Connectez le câble USB à l'adaptateur réseau.
- Connectez l'adaptateur réseau à la prise 110-220V.



- Soulevez le bras **(A)** du chargeur.
- Retirez la couvercle de protection de la batterie.
- Installez la batterie dans le chargeur comme indiqué dans l'image, fixez le bras **(A)**.
- Lors de l'installation, une lampe indicatrice **(B)** s'allume en vert sur le chargeur et clignote brièvement à un certain intervalle:
  - une fois, si la charge de la batterie est entre 0 et 50%;
  - deux fois, si la charge de la batterie est entre 51 et 75%;
  - trois fois, si la charge de la batterie est entre 76 et 100%.
- Si la lampe indicatrice est constamment allumée en vert, la batterie est complètement chargée. Déconnectez le chargeur du réseau, déconnectez la batterie du chargeur.
- Si la lampe indicatrice du chargeur s'allume en rouge lorsque la batterie est insérée, le niveau de charge risque d'être inférieur à la valeur autorisée. Laissez la batterie dans le chargeur pendant une longue période (jusqu'à plusieurs heures), puis retirez-la et réinsérez-la.
- Si la lampe indicatrice clignote en vert, la batterie est en bon état de fonctionnement;
- Si elle reste rouge, la batterie est défectueuse et ne peut pas être utilisée. Remplacez la batterie.

**Attention!** Pour charger, utilisez toujours le chargeur fourni avec l'appareil ou le chargeur Pulsar IPS (à la charge du client). L'utilisation d'autres chargeurs peut causer des dommages irréparables à la batterie.

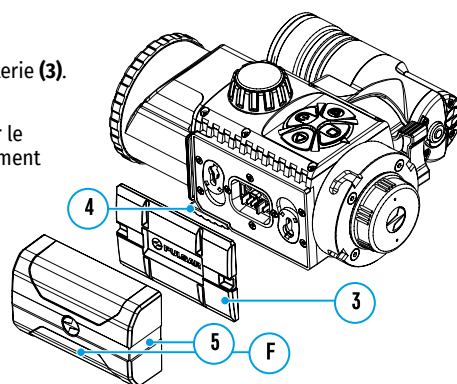
### Installation de la batterie:

- Abaissez le levier **(4)**.
- Enlevez la couvercle de protection du compartiment batterie **(3)**.
- Retirez la couvercle de protection de la batterie **(5)**.
- Insérez la batterie **(5)** dans la fente prévue à cet effet sur le corps du dispositif de sorte que l'élément **F** (une avancement sur le corps de la batterie) soit dirigé vers le bas.
- Verrouillez la batterie en place en relevant le levier **(4)**.

**Attention!** L'alimentation extérieure peut provenir d'une source extérieure, comme un chargeur 5V Power Bank. Raccordez une source d'alimentation extérieure à l'appareil en raccordant le câble USB au port microUSB **(14)** de l'appareil. Pour plus de détails, voir la section «**Alimentation extérieure**».

### Précautions:

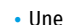
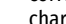
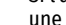
- N'utilisez pas le chargeur si sa conception a été modifiée ou endommagée.
- Pendant le chargement, ne laissez pas la batterie sans surveillance.
- Ne laissez pas le chargeur connecté à une batterie branchée sur réseau plus de 24 heures après une charge complète.



- Effectuez la charge de la batterie à une température de l'air de 0 °C ÷ +45 °C. Sinon, la durée de vie de la batterie peut être réduite.
- Ne chargez pas la batterie directement après l'avoir déplacée d'un environnement froid ou chaud. Attendez 30 à 40 minutes pour que la batterie se réchauffe.
- N'exposez pas la batterie à la chaleur ou au feu nu.
- La batterie n'est pas destinée à être immergée dans l'eau.
- Il est déconseillé de connecter des périphériques tiers avec une consommation de courant supérieure à celle autorisée.
- La batterie est équipée d'un système de protection contre les courts-circuits; toutefois, il convient d'éviter les situations pouvant entraîner un court-circuit.
- Ne démontez ni déformez la batterie.
- Ne soumettez pas la batterie à des chocs et des chutes.
- Pendant le stockage à long terme, la batterie doit être partiellement chargée- elle ne doit pas être complètement chargée ni complètement déchargée.
- Gardez la batterie hors de la portée des enfants.

## ⚡ Alimentation extérieure

L'alimentation extérieure est fournie par une source d'alimentation extérieure du type Power Bank 5V.

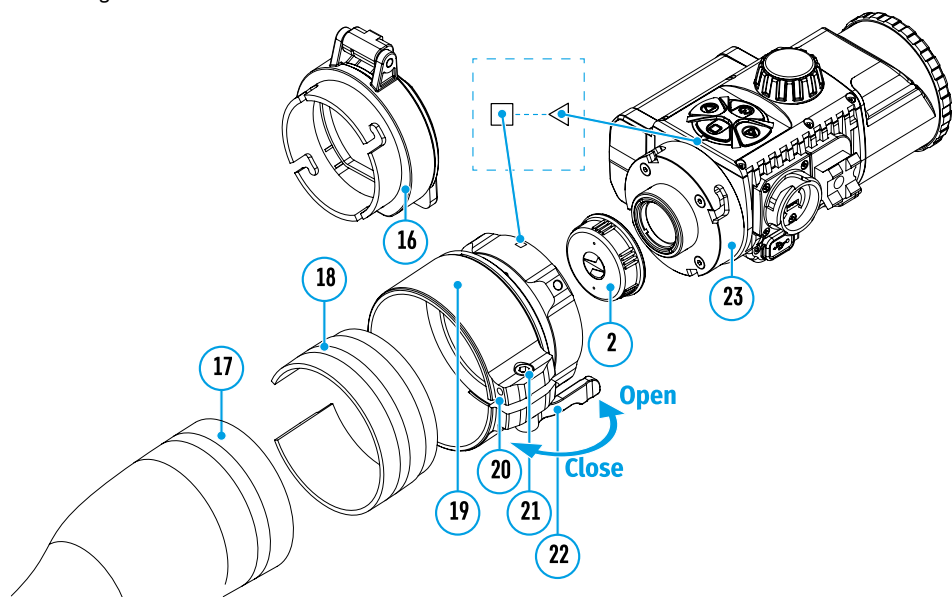
- Connectez la source d'alimentation extérieure au connecteur USB **(14)** de l'appareil.
- L'appareil passera en mode d'alimentation extérieure, tandis que la batterie IPS7 sera rechargée progressivement.
- Une icône de batterie  avec un pourcentage de charge s'affichera sur l'écran.
- Si l'appareil est connecté à partir d'un ordinateur ou d'une carte réseau ou d'un power bank qui ne correspondent pas à la norme du chargeur de batterie (BC 1.0), la batterie IPS7 ne commencera pas à se charger. Seule l'icône d'alimentation extérieure sera affichée .
- Si l'appareil est alimentée par une source d'alimentation extérieure, mais la batterie IPS7 n'est pas connectée, une icône est affichée .
- Lors de la déconnexion de l'alimentation extérieure, l'appareil commencera à fonctionner sur batterie.

## ⚡ Utilisation

### Installation du dispositif sur le viseur optique

- Sélectionnez l'adaptateur\* avec le diamètre requis d'insert en fonction du diamètre extérieur de la lentille de votre viseur optique (voir le tableau).
- La désignation 42 mm / 50 mm / 56 mm dans le titre de l'adaptateur désigne le diamètre optique de la lentille du viseur.
- Enlevez le cache **(16)** de l'adaptateur **(19)** en le tournant dans le sens horaire.
- Il est recommandé de dégraisser la lentille de l'appareil avant de la monter.
- Montez l'insert **(18)** sur l'adaptateur **(19)** aussi loin que possible.
- Montez l'adaptateur avec l'insert dans la lentille de l'appareil optique **(17)**.
- Déplacez le levier **(22)** depuis la position **OUVERTE (OPEN)** jusqu'à sa position **FERMEE (CLOSE)**.
- Vérifiez que l'adaptateur se place bien contre la lentille.
- S'il y a un intervalle, procédez comme suit:
  - Dévissez la vis de fixation **(20)** avec une clef Allen (S = 2mm).
  - Serrez la vis **(21)** avec une clef Allen (S = 4mm) en exerçant la force nécessaire pour que l'adaptateur s'adapte fermement contre la lentille. La force de serrage doit être 1 N·m.
  - Serrez la vis de fixation **(20)**.

- La force peut être testée à l'aide d'un tournevis dynamométrique.
  - Insérez le dispositif fermement dans l'adaptateur de sorte que les broches dans le boîtier de l'adaptateur se placent dans les rainures (23) du dispositif. Tournez le dispositif dans le sens horaire aussi loin que possible. Le repère triangulaire sur le dispositif et le repère carré sur le corps de l'adaptateur doivent être alignés.
  - Tournez le bras (22) sur la position **OUVERTE (OPEN)** et alignez le dispositif avec l'horizon.
- \* A la charge du client



Le tableau de sélection pour les bagues d'insert des dispositifs de visée de jour

Modèle avec couvercle- adaptateur	Correspondance entre le diamètre intérieur de la bague d'insert et le diamètre extérieur de la lentille de l'appareil optique de jour (viseur, télescope)	
	Diamètre interne de chemise, mm	Diamètre extérieur de la lentille de l'appareil, mm
Adaptateur du couvercle FN 42 mm	47	46,7-47,6
	48	47,7-48,6
	49	48,7-49,6
	50	49,7-50,6
Adaptateur du couvercle FN 50 mm	55	54,7-55,6
	56	55,7-56,6
	57	56,7-57,6
	58	57,7-58,6
	59	58,7-59,6
	60	59,7-60,6
Adaptateur du couvercle FN 56 mm	61	60,7-61,6
	62	61,7-62,6
	63	62,7-63,6
	64	63,7-64,6
	65	64,7-65,6

### Allumage et réglage de l'image

- Enlevez le capuchon de lentille (1) en faisant tourner dans le sens antihoraire.
  - Appuyez brièvement sur le bouton **ON (9)** pour allumer l'appareil. L'image s'affiche sur l'écran.
  - Réglez la résolution des icônes sur l'écran en faisant tourner la bague de réglage dioptrique sur l'oculaire de votre appareil optique. A l'avenir, il ne sera pas nécessaire de faire tourner la bague de réglage dioptrique de l'oculaire quelles que soient la distance et d'autres conditions.
  - Faites tourner la bague de mise au point de l'objectif (10) pour mettre au point sur l'objet observé.
- Les réglages de base (luminosité et contraste) peuvent être modifiés dans le menu d'accès rapide. Éteignez l'appareil après utilisation en appuyant longuement sur le bouton **ON (9)**.

### ⚡ Fonctions du menu d'accès rapide

- Entrez dans le menu «d'accès rapide» en appuyant brièvement sur le bouton **M (7)**.
- Pour basculer entre les fonctions décrites ci-dessous, appuyez brièvement sur le bouton **M (7)**.
- **La luminosité** ☀️ - Appuyez sur les boutons **DROITE (6)** et **GAUCHE (8)** pour modifier la valeur de la luminosité de l'affichage de 0 à 20.
- **Le contraste** ◐ - Appuyez sur les boutons **DROITE (6)** et **GAUCHE (8)** pour modifier la valeur du contraste de l'image de 0 à 20.



### ⚡ Fonctions du menu principal

- Entrez dans le menu principal en appuyant longuement sur le bouton **M (7)**.
- Appuyez sur les boutons **DROITE (6)** et **GAUCHE (8)** pour naviguer dans les éléments du menu principal.
- Appuyez brièvement sur le bouton **M (7)** pour entrer dans le sous-élément du menu principal.
- Faites un appui long sur le bouton **M (7)** pour quitter le sous-élément du menu principal.
- La sortie automatique du menu principal survient après 10 secondes d'inactivité.

#### La composition et la description du menu

- Luminosité des icônes
- Paramètres Wi-Fi
- Paramètres généraux
- Mise hors circuit automatique
- Informations sur l'appareil

#### Forme général du menu :



**Luminosité des icônes** Cet élément de menu permet de régler la luminosité des icônes sur écran de l'appareil.



- Faites un appui long sur le bouton **M (7)** pour accéder au menu principal.
- Utilisez les boutons **DROIT (6)** et **GAUCHE (8)** pour sélectionner l'option de menu «**Luminosité des icônes**».
- Appuyez brièvement sur le bouton **M (7)** pour accéder au sous-menu.
- Utilisez les boutons **DROIT (6)** et **GAUCHE (8)** pour sélectionner le niveau de luminosité des icônes.
- Pour enregistrer la sélection et quitter le sous-menu, faites un appui long sur le bouton **M (7)**.

**Paramètres Wi-Fi** Cet élément permet de configurer l'appareil pour le travail dans le réseau Wi-Fi.

**Wi-Fi**



**Note:** Allumer/éteindre le Wi-Fi en faisant un appui long sur le bouton **GAUCHE (8)**.

**Paramétrage du mot de passe**

**PAS**

Ce sous-menu permet de définir un mot de passe afin d'accéder au dispositif à partir du périphérique externe. Le mot de passe est utilisé lors de la connexion d'un périphérique externe (par exemple, un smartphone) au dispositif.

- Faites un appui long sur le bouton **M (7)** pour accéder au menu principal.
- Utilisez les boutons **DROIT (6)** et **GAUCHE (8)** pour sélectionner l'élément de menu «**Paramètres Wi-Fi**».
- Appuyez brièvement sur le bouton **M (7)** pour accéder au sous-menu.
- Utilisez les boutons **DROIT (6)** et **GAUCHE (8)** pour sélectionner le sous-menu «**Définir un mot de passe**».
- Appuyez brièvement sur le bouton **M (7)** pour accéder au sous-menu.
- Un mot de passe s'affichera à l'écran. La valeur par défaut est «12345678».
- Utilisez les boutons **DROIT (6)** et **GAUCHE (8)** pour définir le mot de passe souhaité (bouton **DROIT** - augmenter la valeur, bouton **GAUCHE** - diminuer la valeur). Appuyez sur le bouton **M (7)** pour passer d'un chiffre à l'autre.
- Faites un appui long sur le bouton **(7)** pour enregistrer le mot de passe et quitter le sous-menu.

**Réglage du niveau d'accès** Ce sous-élément permet de configurer le niveau d'accès requis pour l'appareil reçu par l'application **Stream Vision**.



**Niveau Maître.** L'utilisateur de **Stream Vision** a un accès complet à toutes les fonctions de l'appareil.

**Niveau Invité.** L'utilisateur de **Stream Vision** a la possibilité de ne regarder que les vidéos de l'appareil en temps réel.

- Faites un appui long sur le bouton **M (7)** pour accéder au menu principal.
- Utilisez les boutons **DROIT (6)** et **GAUCHE (8)** pour sélectionner l'élément de menu «**Paramètres Wi-Fi**».
- Appuyez brièvement sur le bouton **M (7)** pour accéder au sous-menu.
- Utilisez les boutons **DROIT (6)** et **GAUCHE (8)** pour sélectionner le sous-menu «**Configuration du niveau d'accès**».
- Utilisez les boutons **DROIT (6)** et **GAUCHE (8)** pour sélectionner le niveau d'accès - «**Maître**» ou «**Invité**».
- Faites un appui long sur le bouton **(7)** pour confirmer la sélection et quitter le sous-menu.

**Paramètres généraux** L'élément de menu permet de définir les paramètres suivants:



- Langue
- Temps
- Mise en forme
- Date
- Paramètres par défaut

**Langue**



**Sélectionner la langue de l'interface.**

- Faites un appui long sur le bouton **M (7)** pour accéder au menu principal.
- Utilisez les boutons **DROIT (6)** et **GAUCHE (8)** pour sélectionner le sous-menu «**Paramètres généraux**».
- Appuyez brièvement sur le bouton **M (7)** pour accéder au sous-menu.
- Utilisez les boutons **DROIT (6)** et **GAUCHE (8)** pour sélectionner l'option de sous-menu «**Langue**».
- Appuyez brièvement sur le bouton **M (7)** pour accéder au sous-menu.
- Utilisez les boutons **DROIT (6)** et **GAUCHE (8)** pour sélectionner l'une des langues d'interface disponibles: Anglais, Allemand, Espagnol, Français et Russe.
- Faites un appui long sur le bouton **M (7)** pour enregistrer la sélection et quitter le sous-menu.

**Date**



**Réglage de la date**

- Faites un appui long sur le bouton **M (7)** pour accéder au menu principal.
- Utilisez les boutons **DROIT (6)** et **GAUCHE (8)** pour sélectionner le sous-menu «**Paramètres généraux**».
- Appuyez brièvement sur le bouton **M (7)** pour accéder au sous-menu.
- Utilisez les boutons **DROIT (6)** et **GAUCHE (8)** pour sélectionner le sous-menu «**Date**».
- Appuyez brièvement sur le bouton **M (7)** pour accéder au sous-menu.
- La date est affichée au format jj/mm/aaaa (12/04/2017)
- Utilisez les boutons **DROIT (6)** et **GAUCHE (8)** pour sélectionner le jour, le mois et l'année. (Bouton **DROIT (6)** - augmenter la valeur, bouton **GAUCHE (8)** - diminuer la valeur). Appuyez brièvement sur le bouton **M (7)** pour passer d'un chiffre à l'autre.
- Faites un appui long sur le bouton **M (7)** pour enregistrer la date sélectionnée et quitter le sous-menu.

**Heure**



**Réglage de l'heure**

- Faites un appui long sur le bouton **M (7)** pour accéder au menu principal.
- Utilisez les boutons **DROIT (6)** et **GAUCHE (8)** pour sélectionner le sous-menu «**Paramètres généraux**».
- Appuyez brièvement sur le bouton **M (7)** pour accéder au sous-menu.
- Utilisez les boutons **DROIT (6)** et **GAUCHE (8)** pour sélectionner le sous-menu «**Heure**».
- Appuyez brièvement sur le bouton **M (7)** pour accéder au sous-menu.
- Appuyez sur les boutons **DROIT (6)** et **GAUCHE (8)** pour sélectionner le format de l'heure - 24/12 (ou PM/AM).
- Appuyez sur le bouton **M (7)** pour passer au réglage de l'heure.
- Appuyez sur les boutons **DROIT (6)** et **GAUCHE (8)** pour sélectionner l'heure (Bouton **DROIT (6)** - augmenter la valeur, bouton **GAUCHE (8)** - diminuer la valeur).
- Appuyez sur le bouton **M (7)** pour régler les minutes.
- Appuyez sur les boutons **DROIT (6)** et **GAUCHE (8)** pour sélectionner les minutes.
- Faites un appui long sur le bouton **M (7)** pour enregistrer la durée sélectionnée et quitter le sous-menu.





## ⚡ Fonction Wi-Fi

- L'appareil a la fonction de communication sans fil avec les appareils mobiles (tablette, smartphone) via Wi-Fi.
- Allumez le module sans fil en appuyant longuement sur le bouton **GAUCHE (8)**. Le fonctionnement Wi-Fi est affiché dans la barre d'état comme suit:

Wi-Fi allumé	icône n'est pas disponible
Le Wi-Fi est allumé par l'utilisateur, l'allumage du Wi-Fi du dispositif est en cours	
Wi-Fi est allumé, il n'y a pas de connexion au dispositif	
Wi-Fi est allumé, la connexion au dispositif est établie	

L'appareil mobile reconnaît le dispositif en tant que «Forward F\_XXXX», où XXXX sont les quatre derniers chiffres du numéro de série.

Après avoir saisi le mot de passe sur l'appareil mobile (pour plus d'informations sur la définition d'un mot de passe, voir la sous-section «**Paramètres Wi-Fi**» dans la section «**Fonctions du menu principal**» du manuel) et avoir établi la connexion, l'icône de la barre d'état devient , le signal vidéo sur l'écran de l'appareil mobile démarre après l'activation du bouton «viseur» sur l'écran de l'appareil mobile. L'icône de la barre d'état change pour .

**Note:** la configuration du niveau d'accès requis pour le périphérique reçu par l'application **Stream Vision** est disponible dans la section «**Réglage du niveau d'accès**».

## ⚡ Fonction «SumLight™»

- La fonction **SumLight™** permet d'augmenter considérablement le niveau de sensibilité du réseau de transistor CMOS en cas d'une diminution de la luminosité, ce qui permet d'observer dans des conditions de mauvais éclairage sans utiliser un illuminateur IR.
- Pour activer la fonction **SumLight™**, appuyez brièvement sur le bouton **GAUCHE (8)**.
- Pour l'éteindre, appuyez à nouveau brièvement sur le bouton **GAUCHE (8)**.
- L'icône **SumLight™** (activée ou désactivée) apparaît sur la barre d'état.

**Attention!** Lorsque la fonction **SumLight™** est activée, le niveau de bruit dans l'image augmente, la fréquence d'images diminue et l'image ralentit. Tout mouvement brusque de l'appareil peut rendre l'image «brouillée». De tels effets ne sont pas des défauts. Des points blancs lumineux (pixels) peuvent être visibles sur l'écran de l'appareil, le nombre de points peut augmenter lorsque la fonction **SumLight™** est activée. Ceci est dû aux particularités de cette fonction et ce n'est pas un défaut.

## ⚡ Enregistrement vidéo et prise des photos

L'appareil a la fonction d'enregistrement vidéo (prise de photos) de l'image observée sur la carte mémoire intégrée.

Avant d'utiliser les fonctions photo et vidéo, lisez les sous-sections «**Réglage de la date**», «**Réglage de l'heure**» de la section «**Fonctions du menu principal**» du manuel.

L'appareil d'enregistrement intégré fonctionne en deux modes:

- **PHOTO** (image fixe; une icône est affichée dans le coin supérieur droit de l'écran) Si le nombre estimé d'images fixes pouvant être enregistrées dans la mémoire flash est supérieur à 100, l'inscription «> 100» s'affiche.
- **VIDEO** (enregistrement vidéo; une icône est affichée dans le coin supérieur droit de l'écran, la durée totale d'enregistrement restante étant fonction de la résolution actuelle au format MM:SS - minutes: secondes).

L'appareil est en mode vidéo lors de l'allumage. Faites un appui long sur le bouton **DROIT (6)** pour changer de mode de l'appareil. Le passage entre les modes est cyclique (Vidéo-> Photo-> Vidéo ...).

**Mode PHOTO. Prise des photos d'une image**

- Passez en mode Photo en faisant un appui long sur le bouton **DROIT (6)**.

- Appuyez brièvement sur le bouton **DROIT (6)** pour prendre une photo. L'image se fige pendant 0,5 seconde.
- Le fichier de l'image est enregistré sur la carte mémoire intégrée.

**Mode Vidéo. Enregistrement vidéo**

- Passez en mode Vidéo en appuyant longuement sur le bouton **DROIT (6)**.
  - Lancez l'enregistrement vidéo en appuyant brièvement sur le bouton **DROIT (6)**.
  - Après le commencement de l'enregistrement vidéo, l'icône disparaît, l'icône REC apparaît à sa place, ainsi que la minuterie d'enregistrement vidéo au format MM:SS (minutes: secondes)\*;
  - Arrêtez l'enregistrement vidéo en appuyant longuement sur le bouton **DROIT (6)**.
  - Les fichiers vidéo sont enregistrés sur la carte mémoire intégrée une fois l'enregistrement vidéo désactivé.
- \*L'icône est affichée pendant 2 secondes, puis disparaît. L'icône s'affiche lors de la suivante pression courte sur le bouton **DROIT (6)**, la minuterie d'enregistrement affiche la durée d'enregistrement actuelle de la vidéo.

**Notes:**

- Après avoir désactivé l'enregistrement vidéo/ après avoir pris une photo; lorsque vous éteignez l'appareil, si l'enregistrement a été activé; si la carte mémoire est pleine - si, pendant l'enregistrement vidéo, la carte mémoire est pleine (le message «Mémoire pleine» apparaît à l'écran).
- Il est possible d'accéder au menu et travailler dans le menu de l'appareil lors de l'enregistrement vidéo;
- Les vidéos et les photos sont enregistrées sur la carte mémoire intégrée de l'appareil sous le nom img\_XXX.jpg (pour les photos); video\_XXX.mp4 (pour la vidéo). XXX - commun à trois chiffres (nombre de fichiers (pour photos et vidéos);
- Le compteur utilisé dans la dénomination des fichiers multimédia n'est pas réinitialisé;
- Lors de la suppression d'un fichier du milieu de la liste, son numéro n'est pas attribué à un autre fichier.
- Lorsque le compteur est rempli, un nouveau dossier est créé - img\_XXXX. Où XXXX est un compteur de fichiers.
- La longueur maximale d'un fichier vidéo enregistré est de sept minutes. Passé ce délai, la vidéo est enregistrée dans un nouveau fichier. Le nombre de fichiers est limité par le volume de mémoire interne;
- Surveillez régulièrement la quantité de mémoire disponible de la carte mémoire intégrée, transférez les données enregistrées sur un autre support, libérez de l'espace sur la carte mémoire;
- Dans les fichiers vidéo et les photos enregistrés, des informations graphiques sont affichées (barre d'état, icônes, etc.).

## ⚡ Fonction «Arrêt de l'écran» (Display off)

Lors de l'utilisation de cette fonction, l'appareil passe en mode veille, ce qui permet de l'activer rapidement le cas échéant.

Options pour utiliser la fonction «**Arrêt de l'écran**»

**Option 1** L'appareil est éteint. Il est nécessaire d'allumer l'appareil et d'activer la fonction «**Arrêt de l'écran**».

- Allumez l'appareil en appuyant brièvement sur le bouton **ON (9)**.
- Activez la fonction d'affichage désactivé: faites un appui long sur le bouton **ON (9)**. Un message «**Arrêt de l'écran**» apparaîtra à l'écran avec un compte à rebours.
- Relâchez le bouton **ON (9)**.



- Pour désactiver la fonction d'affichage désactivé, appuyez brièvement sur **ON (9)**.

**Option 2** La fonction «**Arrêt de l'écran**» est activée, il est nécessaire de débrancher l'appareil.

- Faites un appui long sur le bouton **ON (9)**. L'écran affiche un message «**Arrêt de l'écran**» avec un compte à rebours de 3,2,1,0.
- Faites un appui long sur le bouton **ON (9)** jusqu'à ce que l'appareil s'éteint (la déconnexion de l'appareil se produira après le décompte 0) \*.

\* Il est possible d'éteindre l'appareil plus tard suite à l'achèvement du traitement des informations par le processeur pour sauvegarder les données. Dans ce cas, l'affichage indique 0 lors du compte à rebours.

## ⚡ Connexion USB

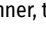
- Allumez l'appareil en appuyant sur le bouton **ON (9)** (le périphérique éteint par l'ordinateur n'est pas détecté).
- Connectez un bout du câble USB au connecteur microUSB **(14)** de l'appareil, l'autre - au port de votre ordinateur.
- Le périphérique sera automatiquement déterminé par l'ordinateur, l'installation des pilotes n'est pas requise.
- L'écran affichera deux options de connexion: **Carte mémoire** (Memory card) et **Puissance** (Power).
- Sélectionner une option de connexion à l'aide des boutons **DROIT (6)** et **GAUCHE (8)**.
- Confirmez le choix en appuyant brièvement sur le bouton **M (7)**.

### Options de connexion:

#### Carte mémoire.

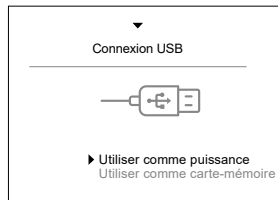
- En choisissant cette option, l'appareil est reconnu par l'ordinateur comme une carte flash. Cette option est conçue pour fonctionner avec les fichiers stockés dans la mémoire de l'appareil. Les fonctions de l'appareil ne sont pas disponibles, mais l'appareil ne s'éteint pas. Lorsqu'il est déconnecté de l'ordinateur, l'appareil continue à fonctionner.
- Lors de l'enregistrement de la vidéo au moment de la connexion, l'enregistrement s'arrête et sauvegarde.

#### Puissance.

- Lors de la sélection de cette option, le périphérique utilise l'ordinateur en tant qu'une source d'alimentation extérieure. Une icône apparaît dans la barre d'état . L'appareil continue à fonctionner, toutes les fonctions sont disponibles.
- La charge de la batterie installée dans l'appareil n'est pas effectuée.

#### Désactivation de l'USB.

- Lorsque l'USB est déconnecté d'un appareil connecté en mode **Carte mémoire**, l'appareil reste allumé.
- Lorsque l'USB est déconnecté d'un appareil connecté en mode **Puissance**, le périphérique continue de fonctionner à partir de la batterie lorsqu'il est suffisamment chargé.



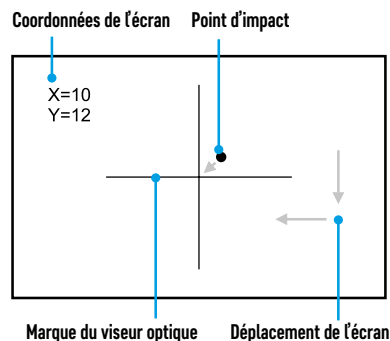
## ⚡ Utilisation de la barre déplacement latéral

L'appareil est équipé d'une barre déplacement latéral supplémentaire **(15)** grâce à laquelle il est possible d'installer des accessoires supplémentaires. Il faut d'abord retirer l'illuminateur IR détachable (voir la section «**illuminateur IR**»).

## ⚡ Etalonnage de l'écran

L'appareil est configuré de telle sorte qu'après son installation sur un viseur optique qui a été correctement ajusté, un ajustement du point de visée n'est pas nécessaire. Si l'accessoire a subi un choc ou une chute violente, vous pouvez vérifier le point d'impact et, si nécessaire, le corriger vous-même, sans contacter le centre de service.

- Pour passer en mode d'étalonnage de l'écran, faites un appui long sur le bouton **M (7)** pendant 10 secondes.
- les coordonnées d'affichage  $X = 0$ ;  $Y = 0$  apparaîtront.
- Utilisez les boutons **GAUCHE (8)** et **DROIT (6)** pour déplacer l'écran horizontalement (axe X) et verticalement (axe Y) de sorte que le point d'impact se déplace au centre de la marque de visée de votre appareil.



- Pour basculer entre les coordonnées X et Y, appuyez brièvement sur le bouton **M (7)**.
- Le décalage d'image est de 1 pixel de capteur.
- La plage de déplacement de l'image est de +/- 20 pixels horizontalement (axe X), de +/- 20 pixels verticalement (axe Y).
- Faites un appui long sur le bouton **M (7)** pendant deux secondes pour quitter le menu et enregistrer les paramètres.

## ⚡ Stream Vision

Les dispositifs Forward sont compatibles avec la technologie **Stream Vision**, qui permet de transmettre via Wi-Fi l'image de l'appareil à votre smartphone ou à votre tablette en temps réel.

Des instructions détaillées sur le fonctionnement de **Stream Vision** sont disponibles dans un livret séparé ou sur le site Web [www.pulsar-vision.com](http://www.pulsar-vision.com).

**Note:** la conception de l'appareil intègre la possibilité de mise à jour du logiciel. La mise à jour est possible via l'application **Stream Vision**.

Pour télécharger l'application **Stream Vision**, scannez les codes QR:



## ⚡ Contrôle technique

Un contrôle technique est recommandé avant chaque utilisation de l'appareil.

### Vérifiez:

- Apparence de l'appareil (les fissures sur le boîtier ne sont pas autorisées).
- L'état des lentilles de l'objectif, de l'oculaire de l'appareil et de l'objectif de l'illuminateur IR (les fissures, les taches de graisse, la saleté et autres dépôts ne sont pas autorisés). Nettoyez les surfaces extérieures des pièces en métal et en plastique de la poussière, de la saleté et de l'humidité; essuyez-les avec un chiffon en coton.
- L'état de la batterie (doit être chargée) et les contacts électriques sur la batterie (le sel et l'oxydation ne sont pas autorisés).
- L'efficacité des éléments de contrôle.
- La précision et la fiabilité de la fixation de l'appareil sur le viseur optique.

## ⚡ Entretien technique

L'entretien technique est effectué au moins deux fois par an et comprend les points suivants:

- Utilisez un chiffon en coton pour nettoyer les surfaces extérieures des pièces en métal et en plastique de la poussière et de la saleté. La graisse de silicone est autorisée.
- Nettoyez les contacts électriques de la batterie et ses endroits d'installation dans l'appareil avec un solvant organique non gras.
- Inspectez les lentilles de l'oculaire et de l'objectif. Si nécessaire, retirez la poussière et le sable des lentilles (par une méthode sans contact de préférence). Nettoyez les surfaces extérieures des optiques à l'aide de moyens spécialement conçus à cet effet.

## ⚡ Stockage

Gardez l'appareil toujours dans une boîte, dans un endroit sec et bien aéré. Veillez à retirer la batterie pour un stockage à long terme.

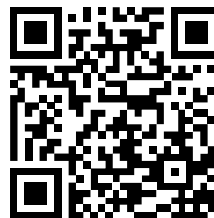
## ⚡ Diagnostic d'erreurs

Défaut	Cause possible	Réparation
L'appareil ne s'allume pas.	La batterie est complètement déchargée.	Chargez la batterie.
Ne fonctionne pas à partir d'une source d'alimentation extérieure.	Le câble USB est endommagé.	Remplacez le câble USB.
	L'alimentation extérieure est déchargée.	Chargez l'alimentation extérieure.
Le smartphone ou la tablette ne se connecte pas à l'appareil.	Le mot de passe de l'appareil a été modifié.	Supprimez le réseau et reconnectez-vous avec le mot de passe enregistré dans l'appareil.
	L'appareil est situé dans une zone avec un grand nombre de réseaux Wi-Fi susceptibles d'interférer.	Pour garantir un fonctionnement stable du Wi-Fi, déplacez l'appareil dans une zone comportant un nombre inférieur de réseaux Wi-Fi ou dans une zone où ils sont absents.
La diffusion du signal via Wi-Fi est absent ou est interrompu.	L'appareil se trouve en dehors de la zone de réception de signal Wi-Fi fiable. Il y a des obstacles entre l'appareil et le récepteur du signal (murs en béton, par exemple).	Déplacez l'appareil vers la ligne de mire du signal Wi-Fi.
Mauvaise qualité de l'image.	Ces problèmes peuvent survenir lors de l'observation dans des conditions météorologiques difficiles (neige, pluie, brouillard, etc.).	
Image est trop sombre.	La faible luminosité ou le contraste définis.	Ajustez la luminosité ou le contraste.
Des rayures sont apparues sur l'écran ou l'image a disparu.	L'appareil était soumis à une tension statique pendant le fonctionnement.	Après une exposition à une tension statique, l'appareil peut se redémarrer ou s'éteindre puis se rallumer.
Avec une image claire du cible à visée, l'image d'un objet est floue.	La poussière ou la condensation sur les surfaces optiques extérieures ou intérieures de l'objectif.	Essayez les surfaces optiques extérieures avec un chiffon de coton doux. Sécher - laisser reposer 4 heures dans une pièce chaude.
	L'objectif n'est pas focalisé.	Ajustez la netteté de l'image en tournant l'appareil de réglage de l'objectif.
L'écran n'est pas centré.	La position de l'appareil sur le viseur de jour est non ajustée.	Appuyez sur l'adaptateur et réglez l'écran au centre du champ de vision (voir la section « <b>Utilisation</b> »).
L'appareil ne se focalise pas.	Réglage incorrect.	Configurez l'appareil conformément à la section « <b>Utilisation</b> ». Vérifiez l'extérieur des lentilles de l'objectif et de l'oculaire; le cas échéant, nettoyez-les de la poussière, du condensat, du givre, etc. Par temps froid, vous pouvez utiliser des couvertures spéciales anti-buée (par exemple, comme pour les lunettes correctrices).

Défaut	Cause possible	Réparation
Le point d'impact ne correspond pas au point à viser.	L'étalonnage de l'écran est requis.	Étalonnez l'écran conformément aux instructions de la section « <b>Étalonnage de l'écran</b> ».
	Il n'y a pas de fermeté d'installation de l'appareil sur le viseur ou sur l'arme.	Vérifiez la fermeté de l'appareil sur le viseur et la fiabilité de la fixation de l'appareil de visé à l'arme. Assurez-vous que vous utilisez exactement le type de munition avec lequel votre arme et votre viseur ont déjà été ajustés. Si vous avez effectué l'ajustage en été et vous l'utilisez en hiver (ou inversement), il est possible une légère modification du point zéro de l'ajustage.
L'appareil glisse du viseur lors d'un coup de feu.	Serrage insuffisant de l'adaptateur. Sélection incorrect d'un insert.	Choisissez un insert approprié et serrez l'adaptateur conformément aux recommandations.
Impossible d'enlever le levier de l'adaptateur.	Sélection incorrect d'un insert.	Sélectionnez un insert approprié. Vérifiez l'intervalle entre les plaques de l'adaptateur.

Suivez le lien pour trouver des réponses aux questions fréquemment posées.

<https://www.pulsar-nv.com/glo/support/faq/79>



### Compatibilité électromagnétique.

Ce produit est conforme aux exigences de la norme européenne EN 55032: 2015, classe A.

**Attention:** L'utilisation de ce produit dans une zone résidentielle peut provoquer des interférences radio.

**Attention!** Les dispositifs de vision nocturne numériques Forward nécessitent l'obtention d'une licence s'ils sont exportés hors de votre pays.



### Participons à la protection de l'environnement!

Votre appareil contient de nombreux matériaux valorisables ou recyclables.

Confiez celui-ci dans un point de collecte ou à défaut dans un centre service agréé pour que son traitement soit effectué.

## ⚡ Technische Daten

MODELL	FORWARD F455
SKU NUMMER	78186
<b>OPTISCHE KENNDATEN</b>	
Objektivbrennpunkt, mm	50
Öffnungsverhältnis, D / f ,	1:1
Blickwinkel (horizontal), °	6,3
Sehfeld (horizontal), m@100m	11
Max Beobachtungsdistanz bei Tiergröße 1,7 m, m	500
Min Naheinstellgrenze, m	5
Empfohlene maximale Vergrößerung des Tageslichtzielfernrohres, x	2-8
<b>ELEKTRONISCHE KENNDATEN</b>	
Typ und Auflösung des Sensors	CMOS HD 1280X720
Typ und Auflösung des Displays	AMOLED 1746 x 1000
Empfindlichkeit des Gerätes, mW (Wellenlänge 780 nm, 25 Linien / mm Auflösung)	1,5×10 <sup>-5</sup>
Empfindlichkeit des Gerätes, mW (Wellenlänge 915 nm, 25 Linien / mm Auflösung)	5,5×10 <sup>-5</sup>
<b>ABNEHMBARER IR-STRAHLER</b>	
Typ / Wellenlänge, nm	LED 940
<b>BETRIEBSPARAMETER</b>	
Betriebsspannung, V	3,0 - 4,2
Batterietyp / Kapazität / Ausgangsnennspannung	Li-Ion Batterie IPS7 / 6400 mAh / DC 3,7V
Externe Stromversorgung	Micro USB Typ B (5V)
Laufzeit der Batterie bei t = 22°C (Wi-Fi aus, IR aus), h	9
Max Rückstoßwiderstand auf gezogener Waffe, J	6000
Max Rückstoßwiderstand auf glatter Waffe, Kaliber	12
Schutzklasse, IP Code (IEC60529)	IPX7
Betriebstemperatur	-25°C ... +50°C
Abmessungen, mm	155 x 136 x 77
Gewicht, kg	0,83
<b>VIDEOREKORDER</b>	
Video- / Fotoauflösung, Pixel	1280 x 720
Video- / Fotoformat	.mp4 / .jpg
Eingebauter Speicher	16 GB
<b>WI-FI KANAL</b>	
Frequenz	2,4 GHz
Standard	802.11 b / g / n

Änderungen im Design zwecks höherer Gebrauchseigenschaften des Produkts vorbehalten.

Die aktuelle Version der Bedienungsanleitung finden Sie auf der Webseite [www.pulsar-vision.com](http://www.pulsar-vision.com)

## Lieferumfang

- Digitaler Nachtsichtvorsatz
- Aufbewahrungstasche
- Akkumulatorenatterie
- Ladegerät für Akkumulatorenatterie
- Netzwerkadapter
- MicroUSB-Kabel
- Kurzanleitung
- Reinigungstuch für Optik
- Garantieschein

## ⚡ Beschreibung

Der digitale Nachtsichtvorsatz **Forward F455** ist ein Universalgerät, das schnell und einfach ein Tageslichtzielfernrohr in ein Nachtsichtgerät verwandelt. Der Nachtsichtvorsatz wird am Zielfernrohr-Objektiv mittels der für unterschiedliche Linsendurchmesser ausgelegenen Adapter installiert. Es ist kein zusätzliches Einschießen erforderlich. Der Nachtsichtvorsatz ist für unterschiedliche Anwendungsbereiche geeignet, unter anderem Jagd, Sportschießen, Nachtfoto- und Videoaufnahme sowie Beobachtung.

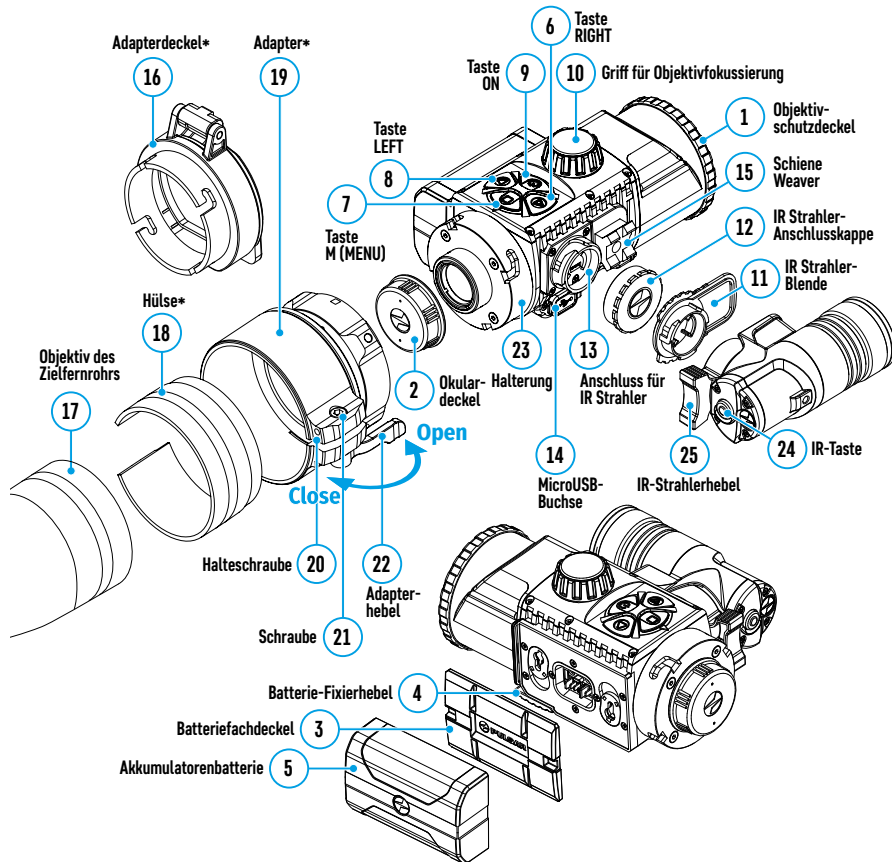
## ⚡ Merkmale

### Hauptmerkmale:

- HD-Sensor 1280 x 720
- Erhöhte Nachtempfindlichkeit
- Einfacher Umbau eines Tageslichtzielfernrohres in ein Nachtsichtgerät
- Vorteile der Tageslichtoptik bleiben bei Nachteinsatz vorbehalten
- Stabile Zielpunktlage
- Komfortabler Einsatz in einem breiten Vergrößerungsbereich von Tageslichtoptiken
- Unsichtbarer weitreichender Infrarotstrahler
- Funktion einer zusätzlichen Empfindlichkeitssteigerung **SumLight™**
- Entdeckungsdistanz bis zu 500 m
- Schnellschaltung
- Integrierter Videorekorder
- Gespeist von schnell wechselbaren Hochleistungsbatterien des B-Pack-Systems
- Vierpunkt-Bajonett-Montage mit automatischer Spannung
- Kompatibilität mit Adaptern fremder Hersteller
- hochkalibriger Rückstoßwiderstand: 12 Kal., 9,3 × 64, ,375H&H
- Wi-Fi. Integration mit iOS- und Android-Geräten
- **Stream Vision.** Fernbedienung, Überwachung und Live-YouTube-Streaming per Smartphone
- Remote-Software-Update
- Absolute Wasserdichtigkeit (IPX7)
- Breiter Betriebstemperaturbereich (-25°C + 50°C)
- MicroUSB. Power Bank Stromversorgung

## ⚡ Komponenten und Bedienelemente

1. Objektivschutzdeckel
2. Okulardeckel
3. Batteriefachdeckel
4. Batterie-Fixierhebel
5. Akkumulatorenbatterie
6. Taste **RIGHT**
7. Taste **M (MENU)**
8. Taste **LEFT**
9. Taste **ON**
10. Griff für Objektivfokussierung
11. IR Strahler-Blende
12. IR Strahler-Anschlusskappe
13. Anschluss für IR Strahler
14. MicroUSB-Buchse
15. Schiene Weaver
16. Adapterdeckel\*
17. Objektiv des Zielfernrohrs
18. Hülse\*
19. Adapter\*
20. Halteschraube
21. Schraube
22. Adapterhebel
23. Halterung
24. **IR-Taste**
25. IR-Strahlerhebel



\*FN Adapterdeckel Elemente (separat erhältlich)

## ⚡ Funktionen der Tasten

Taste	Betriebsmodus	Erstes kurzes Betätigen	Weitere kurze Betätigen	Langes Betätigen
<b>ON (9)</b>	Das Gerät ist ausgeschaltet	Das Gerät einschalten	–	Das Gerät einschalten
	Das Display ist ausgeschaltet	Das Display einschalten	–	Das Gerät ausschalten
	Das Gerät ist eingeschaltet, Schnellmenü, Hauptmenü	–		Das Display ausschalten/das Gerät ausschalten
<b>LEFT (8)</b>	Das Gerät ist eingeschaltet	<b>SumLight™</b> einschalten	<b>SumLight™</b> ausschalten	Wi-Fi ein- / ausschalten
	Navigieren im Menü	Navigieren nach oben, nach links, gegen den Uhrzeigersinn		
	Schnellmenü	Parameterreduzierung		
<b>MENU (7)</b>	Das Gerät ist eingeschaltet	Schnellmenü eintreten		Hauptmenü eintreten
	Navigieren im Menü	Auswahl bestätigen		Aus dem Untermenü ohne Bestätigung der Auswahl austreten / Aus dem Menü austreten (in den Anzeigemodus wechseln)
	Schnellmenü	Navigieren nach oben		Aus dem Schnellmenü austreten
<b>RIGHT (6)</b>	Das Gerät ist eingeschaltet (Videomodus)	Videoaufnahme starten	–	Videoaufnahme stoppen / in den Fotomodus wechseln
	Das Gerät ist eingeschaltet (Fotomodus)	Foto machen		in den Videomodus wechseln
	Navigieren im Menü	Nach unten / nach rechts / Im Uhrzeigersinn		
<b>IR (24)</b>	Das Gerät ist eingeschaltet, Schnellmenü, Hauptmenü	IR einschalten	IR-Leistungsänderung	IR ausschalten

## ⚡ Besonderheiten des Betriebs

Das Nachtsichtvorsatzgerät **Forward F455** ist für den Langzeitgebrauch bestimmt. Um die Haltbarkeit und volle Leistungsfähigkeit des Gerätes zu gewährleisten, soll man sich an folgende Empfehlungen halten:

- Vor dem Betrieb stellen Sie sicher, dass das Gerät laut Anweisungen aus dem Kapitel **„Montage des Vorsatzgerätes ans Zielfernrohr“** installiert wurde.
- Schalten Sie das Gerät nach Gebrauch aus.
- Die eigenständige Reparatur und Demontage des Garantiegerätes ist verboten!
- Das Vorsatzgerät kann in einem breiten Temperaturbereich betrieben werden. Wenn das Gerät in der Kälte betrieben und in einen warmen Raum gebracht wurde, nehmen Sie es aus der Aufbewahrungstasche im Laufe von 2-3 Stunden nicht heraus. Das verhindert Kondensatbildung an optischen Außenelementen.
- Für einen störungsfreien Betrieb, Vorbeugung und Beseitigung der Ursachen des vorzeitigen Verschleißes oder der Ausfall von Baueinheiten und -teilen führen Sie technische Inspektion und Wartung rechtzeitig durch.
- Die Batterie soll keiner übermäßigen Hitze durch Sonnenlicht, Feuer oder andere Wärmequellen ausgesetzt werden.-

## ⚡ Betrieb der Akkumulatorenbatterie

Das Vorsatzgerät **Forward F455** wird mit einer wiederaufladbaren Lithium-Ionen Batterie IPS7 geliefert, die das Funktionieren des Gerätes im Laufe von bis 9 Stunden ermöglicht. Vor dem ersten Gebrauch soll die Batterie voll aufgeladen werden.

### Batterieladung:

- Schließen Sie den Stecker microUSB vom USB-Kabel an die Buchse (C) des Ladegerätes an.
- Schließen Sie den Stecker vom USB-Kabel an den Netzwerkadapter an.
- Stecken Sie den Netzwerkadapter in eine Steckdose mit 110-220 V.
- Heben Sie den Hebel (A) des Ladegerätes auf.
- Nehmen Sie den Schutzdeckel von der Akkumulatorenbatterie ab.
- Setzen Sie die Batterie in das Ladegerät, wie in der Abbildung gezeigt, ein und verriegeln Sie den Hebel (A).
- Beim Installieren leuchtet am Ladegerät die Anzeige (B) grün und blinkt kurz in einem bestimmten Intervall:
  - einmal, wenn die Batterieladung zwischen 0 und 50% liegt;
  - zweimal, wenn die Batterieladung zwischen 51 und 75% liegt;
  - dreimal, wenn die Batterieladung zwischen 76 und 100% liegt.
- Wenn die Anzeige dauernd grün leuchtet, ist die Batterie voll geladen. Trennen Sie das Ladegerät vom Netzwerk und die Batterie vom Ladegerät.
- Wenn die Anzeige des Ladegerätes beim Einsetzen der Batterie dauernd rot leuchtet, liegt der Ladezustand wahrscheinlich unter dem zulässigen Wert. Lassen Sie die Batterie für längere Zeit (bis zu mehreren Stunden) im Ladegerät, dann nehmen Sie sie heraus und setzen Sie sie erneut ein.
- Wenn die Anzeige grün blinkt, ist die Batterie in Ordnung.
- Wenn die Batterie weiterhin rot leuchtet, ist sie defekt und kann nicht verwendet werden. Ersetzen Sie die Batterie.

**Achtung!** Verwenden Sie für das Aufladen nur das mitgelieferte Ladegerät oder ein Pulsar IPS-Ladegerät (separat erhältlich). Die Verwendung eines fremden Ladegerätes kann der Batterie irreparable Schäden antun.

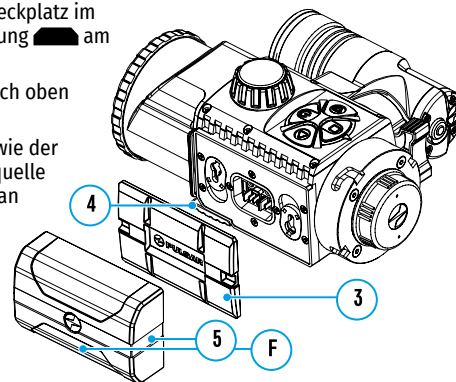
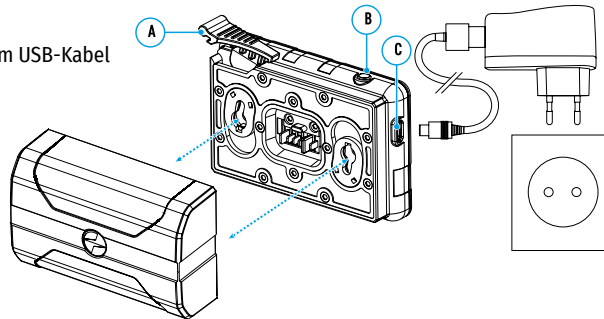
### Installieren der Akkumulatorenbatterie:

- Klappen Sie den Hebel (4) nach unten.
- Nehmen Sie den Schutzdeckel vom Batteriefach (3) ab.
- Nehmen Sie den Schutzdeckel von der Akkumulatorenbatterie (5) ab.
- Setzen Sie die Batterie (5) in den dafür vorgesehenen Steckplatz im Gehäuse des Gerätes so ein, dass das F-Element (Vorsprung) unten liegt.
- Machen Sie die Batterie fest, indem Sie den Hebel (4) nach oben klappen.

**Achtung!** Das Gerät kann von einer externen Stromquelle wie der Power Bank (5V) gespeist werden. Um eine externe Stromquelle an das Gerät anzuschließen, schließen Sie das USB-Kabel an die microUSB-Buchse (14) des Gerätes an. Einzelheiten finden Sie im Kapitel „Externe Stromversorgung“.

### Sicherheitshinweise:

- Verwenden Sie das Ladegerät nicht, wenn es beschädigt oder sein Design geändert wurde.



- Lassen Sie die Batterie während des Ladevorgangs nicht unbeaufsichtigt.
- Lassen Sie das Ladegerät nicht länger als 24 Stunden nach der Vollladung an das Netzwerk angeschlossen.
- Die Batterie soll bei einer Lufttemperatur von 0 °C bis +45 °C geladen werden. Andernfalls kann die Batterielebensdauer verkürzt werden.
- Laden Sie die Batterie nicht gleich auf, wenn sie von der Kälte in einen warmen Raum gebracht wurde. Warten Sie 30-40 Minuten ab, bis sich die Batterie aufwärmt.
- Setzen Sie die Batterie keiner Hitze und keinem offenen Feuer aus.
- Tauchen Sie die Batterie nicht ins Wasser.
- Es ist nicht empfehlenswert, fremde Anlagen mit höherem Strom, als es zulässig ist, anzuschließen.
- Die Batterie ist mit einem Kurzschlussschutz ausgestattet. Situationen, die zu einem Kurzschluss führen können, sollten jedoch vermieden werden.
- Zerlegen oder verformen Sie die Batterie nicht.
- Setzen Sie die Batterie keinen Stößen oder Stürzen aus.
- Bei andauernder Aufbewahrung soll die Batterie teilweise aufgeladen sein - sie soll nicht voll geladen oder voll entladen sein.
- Bewahren Sie die Batterie außerhalb der Reichweite von Kindern auf.

## ⚡ Externe Stromversorgung

Die externe Stromversorgung erfolgt über eine externe Stromquelle wie die Power Bank (5V).

- Schließen Sie die externe Stromquelle an die USB Buchse (14) des Gerätes an.
- Das Gerät schaltet auf externe Stromversorgung um, dabei wird die Batterie IPS7 schrittweise aufgeladen.
- Auf dem Display erscheint das Symbol der Batterie —■= mit dem Ladezustand als Prozentwert.
- Falls das Gerät über einen Computer oder einen Netzwerkadapter oder eine Power Bank angeschlossen ist, die dem Standard Battery Charger (BC 1.0) nicht entsprechen, wird die Batterie IPS7 nicht aufgeladen, es wird nur das Symbol der externen Stromversorgung angezeigt —■=.
- Wenn das Gerät von einer externen Stromquelle gespeist wird, die Batterie IPS7 jedoch nicht angeschlossen ist, wird das Symbol —■= angezeigt.
- Beim Trennen der externen Stromquelle beginnt das Gerät von der Batterie zu funktionieren.

## ⚡ Betrieb

### Montage des Vorsatzgerätes ans Zielfernrohr

- Nehmen Sie den Adapter\* mit einer Hülse passenden Durchmessers je nach Außendurchmesser des Objektivs Ihres Zielfernrohres (siehe Tabelle).
- Die Zeichen 42 mm / 50 mm / 56 mm im Adapternamen bedeuten den Objektivlinsendurchmesser des Zielfernrohres.
- Entfernen Sie den Deckel (16) vom Adapter (19), indem Sie den Deckel im Uhrzeigersinn drehen.
- Es wird empfohlen, das Objektivgehäuse des Zielfernrohres vor der Montage zu entfetten.
- Setzen Sie die Hülse (18) bis zum Anschlag in den Adapter (19) ein.
- Installieren Sie den Adapter samt Hülse bis zum Anschlag ans Objektiv des Tageslichtzielfernrohres (17).
- Legen Sie den Hebel (22) aus der Ausgangsposition „geöffnet“ (OPEN) in die Position „geschlossen“ (CLOSE) um.
- Überprüfen Sie, ob der Adapter dicht am Objektiv anliegt.
- Sollte ein Spiel vorhanden sein, bitte wie folgt handhaben:
  - Lockern Sie die Halteschraube (20) mit einem Inbusschlüssel (S=2mm).
  - Ziehen Sie die Schraube (21) mit einem Inbusschlüssel (S=4mm) mit der Spannkraft an, die erforderlich ist, um einen festen Sitz des Adapters am Objektiv zu gewährleisten. Die Anzugskraft soll 1 N·m betragen.
  - Ziehen Sie die Halteschraube (20) an.

- Die Anzugskraft kann mit einem Drehmomentschrauber nachgeprüft werden.
- Setzen Sie das Gerät fest in den Adapter ein, so dass die Adapterstifte in die Vorsatznuten (23) eingefahren sind. Drehen Sie das Gerät im Uhrzeigersinn bis zum Anschlag. Das Dreieck-Symbol am Vorsatz und das Quadrat-Symbol am Adaptergehäuse sollen übereinstimmen.
- Legen Sie den Hebel (22) in die Position OPEN für das Ausrichten des Gerätes um und richten Sie das Gerät waagrecht aus.

\* Separat erhältlich

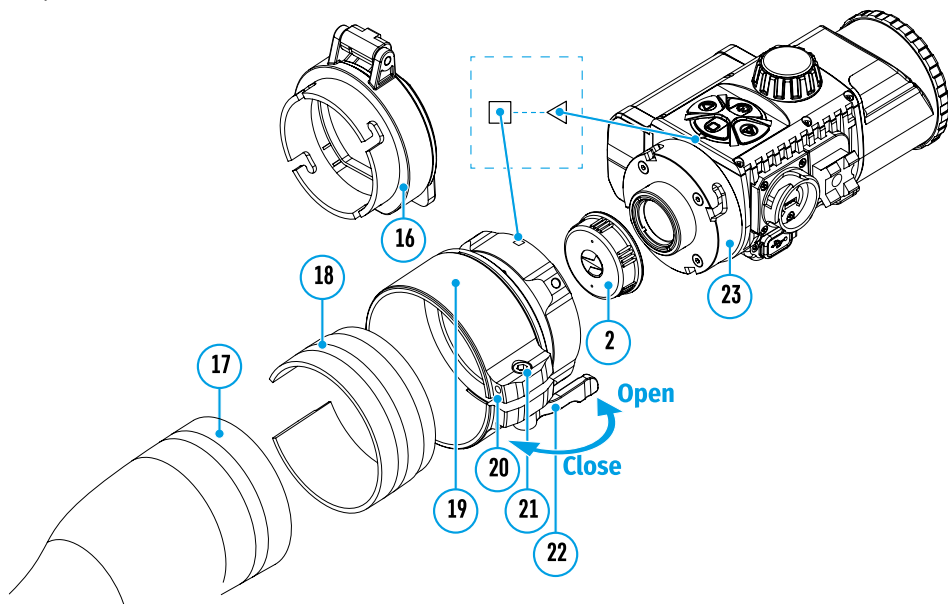


Tabelle der Kompatibilität der Hülsen für die Tageslichtzielfernrohre

Modell des Deckel-Adapters	Übereinstimmung des Innendurchmessers der Hülse und des Außendurchmessers des Objektivgehäuses der Tageslichtoptik (Zielfernrohr, Fernrohr)	
	Innendurchmesser der Hülse, mm	Außendurchmesser des Objektivs des Zielfernrohrs, mm
Deckel-Adapter FN 42 mm	47	46,7-47,6
	48	47,7-48,6
	49	48,7-49,6
	50	49,7-50,6
Deckel-Adapter FN 50 mm	55	54,7-55,6
	56	55,7-56,6
	57	56,7-57,6
	58	57,7-58,6
	59	58,7-59,6

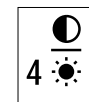
Modell des Deckel-Adapters	Übereinstimmung des Innendurchmessers der Hülse und des Außendurchmessers des Objektivgehäuses der Tageslichtoptik (Zielfernrohr, Fernrohr)	
	Innendurchmesser der Hülse, mm	Außendurchmesser des Objektivs des Zielfernrohrs, mm
Deckel-Adapter FN 56 mm	60	59,7-60,6
	61	60,7-61,6
	62	61,7-62,6
	63	62,7-63,6
	64	63,7-64,6
65	64,7-65,6	

### Einschalten und bildeinstellung

- Den Objektivschutzdeckel (1) durch das Drehen gegen Uhrzeigersinn entfernen.
  - Durch kurzes Betätigen der Taste **ON (9)** das Gerät einschalten - das Display zeigt das Bild an.
  - Die Schärfe der Symbole auf dem Display durch das Drehen des Okulareinstellrings Ihres Zielfernrohrs anpassen. Unabhängig von der Entfernung oder sonstigen Bedingungen ist das Drehen des Okulareinstellrings künftig nicht mehr nötig.
  - Für Fokussierung auf ein Beobachtungsziel den Griff für Objektivfokussierung (10) drehen.
- Die Grundeinstellungen (Helligkeits- und Kontrastregelung) werden über das Schnellzugriffsmenü geändert. Schalten Sie das Gerät nach Gebrauch durch langes Betätigen der Taste **ON (9)** aus.

### ⚡ Funktionen des Schnellzugriffsmenüs

- Das Schnellmenü durch kurzes Betätigen der Taste **M (7)** aktivieren.
- Für das Wechseln zwischen nachfolgend beschriebenen Funktionen die Taste **M (7)** kurz betätigen.
- Helligkeit ☀ - durch das Betätigen der Tasten **RIGHT (6)** und **LEFT (8)** wird der Helligkeitswert des Displays von 0 bis 20 geändert.
- Kontrast ● - durch das Betätigen der Tasten **RIGHT (6)** und **LEFT (8)** wird der Wert des Bildkontrastes von 0 bis 20 geändert.



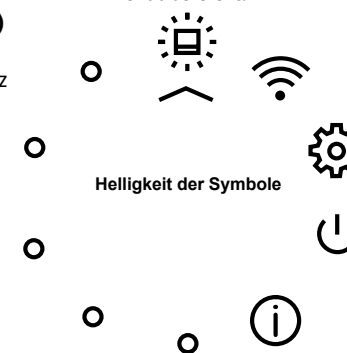
### ⚡ Funktionen Des Hauptmenüs

- Das Hauptmenü durch langes Betätigen der Taste **M (7)** aktivieren.
- Für das Wechseln zwischen Hauptmenüpunkten die Tasten **RIGHT (6)** und **LEFT (8)** betätigen.
- Um einen Unterpunkt im Hauptmenü aufzurufen, die Taste **M (7)** kurz betätigen.
- Um einen Unterpunkt im Hauptmenü zu verlassen, die Taste **M (7)** gedrückt halten.
- Das automatische Verlassen des Hauptmenüs erfolgt nach 10 Sekunden Inaktivität.


#### Zusammensetzung und Beschreibung des Menüs


- Helligkeit der Symbole
- Wi-Fi Einstellungen
- Allgemeine Einstellungen
- Automatisches Abschalten
- Geräteinformation


#### Menüübersicht:







- Helligkeit der Symbole**  Mit diesem Menüpunkt können Sie die Helligkeit der Symbole auf dem Display des Gerätes einstellen.
- Halten Sie die Taste **M (7)** gedrückt, um das Hauptmenü aufzurufen.
  - Mit den Tasten **RIGHT (6)** und **LEFT (8)** wählen Sie den Menüpunkt „**Helligkeit der Symbole**“ aus.
  - Betätigen Sie kurz die Taste **M (7)**, um das Untermenü aufzurufen.
  - Mit den Tasten **RIGHT (6)** und **LEFT (8)** wählen Sie die Helligkeitsstufe der Symbole aus.
  - Um die Auswahl zu speichern und das Untermenü zu verlassen, halten Sie die Taste **M (7)** gedrückt.


- Wi-Fi Einstellungen**  Mit diesem Menüpunkt kann das Gerät für den Betrieb im Wi-Fi-Netz eingestellt werden.
- Hinweis:** Wi-Fi wird durch langes Betätigen der Taste **LEFT (8)** ein- und ausgeschaltet.


- Passwort-einstellung**  In diesem Untermenü kann man ein Zugangspasswort zum Gerät von einem Fremdgerät einstellen. Das Passwort wird für Anschluss eines Fremdgerätes (z.B. Smartphone) an das Gerät verwendet.
- Für Aktivieren des Hauptmenüs die Taste **M (7)** gedrückt halten.
  - Mit den Tasten **RIGHT (6)** und **LEFT (8)** den Menüpunkt „**Wi-Fi Einstellungen**“ auswählen.
  - Für Aktivieren des Untermenüs die Taste **M (7)** kurz betätigen.
  - Mit den Tasten **RIGHT (6)** und **LEFT (8)** den Untermenüpunkt „**Passworteinstellung**“ auswählen.
  - Für Aktivieren des Untermenüs die Taste **M (7)** kurz betätigen.
  - Auf dem Display wird ein Passwort angezeigt – standardmäßig „12345678“.
  - Mit den Tasten **RIGHT (6)** und **LEFT (8)** das gewünschte Passwort (**RIGHT** – Wert aufwärts, **LEFT** – Wert abwärts) festlegen. Für Wechseln zwischen den Stellen die Taste **M (7)** betätigen.
  - Um das Passwort zu speichern und das Untermenü zu verlassen, halten Sie die Taste **M (7)** gedrückt.


- Zugriffsebene Einstellung**  Mit diesem Unterpunkt können Sie die erforderliche Zugriffsebene für Ihr Gerät einstellen, die die Anwendung **Stream Vision** bekommt.
- Master Level.** Der Benutzer von Stream Vision hat vollen Zugriff auf alle Funktionen des Gerätes.
- Gast Level.** Der Benutzer von **Stream Vision** kann sich nur Videos vom Gerät in Realzeit anschauen.
- Halten Sie die Taste **M (7)** gedrückt, um das Hauptmenü aufzurufen.
  - Mit den Tasten **RIGHT (6)** und **LEFT (8)** wählen Sie den Menüpunkt „**Wi-Fi-Einstellungen**“ aus.
  - Betätigen Sie kurz die Taste **M (7)**, um das Untermenü aufzurufen.
  - Mit den Tasten **RIGHT (6)** und **LEFT (8)** wählen Sie das Untermenü „**Zugriffsebene Einstellung**“ aus.
  - Mit den Tasten **RIGHT (6)** und **LEFT (8)** wählen Sie die Zugriffsebene „**Master**“ oder „**Gast**“ aus.
  - Um die Auswahl zu bestätigen und das Untermenü zu verlassen, halten Sie die Taste **M (7)** gedrückt.

**Allgemeine** Dieser Menüpunkt ermöglicht folgende Einstellungen:

- Einstellungen**  • Sprache • Uhrzeit • Formatierung  
• Datum • Standardeinstellungen

- Sprache**  **Auswahl der Sprache der Benutzeroberfläche.**
- Halten Sie die Taste **M (7)** gedrückt, um das Hauptmenü aufzurufen.
  - Mit den Tasten **RIGHT (6)** und **LEFT (8)** wählen Sie das Untermenü „**Allgemeine Einstellungen**“ aus.
  - Betätigen Sie kurz die Taste **M (7)**, um das Untermenü aufzurufen.
  - Mit den Tasten **RIGHT (6)** und **LEFT (8)** wählen Sie den Untermenüpunkt „**Sprache**“ aus.
  - Betätigen Sie kurz die Taste **M (7)**, um das Untermenü aufzurufen.
  - Mit den Tasten **RIGHT (6)** und **LEFT (8)** wählen Sie eine der verfügbaren Sprachen der Benutzeroberfläche aus: Englisch, Deutsch, Spanisch, Französisch, Russisch.
  - Um die Auswahl zu speichern und das Untermenü zu verlassen, halten Sie die Taste **M (7)** gedrückt.

- Datum**  **Datumseinstellung**
- Halten Sie die Taste **M (7)** gedrückt, um das Hauptmenü aufzurufen.
  - Mit den Tasten **RIGHT (6)** und **LEFT (8)** wählen Sie das Untermenü „**Allgemeine Einstellungen**“ aus.
  - Betätigen Sie kurz die Taste **M (7)**, um das Untermenü aufzurufen.
  - Mit den Tasten **RIGHT (6)** und **LEFT (8)** wählen Sie das Untermenü „**Datum**“ aus.
  - Betätigen Sie kurz die Taste **M (7)**, um das Untermenü aufzurufen.
  - Das Datum wird im Format TT / MM / JJJJ angezeigt (12/04/2017)
  - Mit den Tasten **RIGHT (6)** und **LEFT (8)** wählen Sie den gewünschten Tag, Monat und das gewünschte Jahr aus. (Taste **RIGHT (6)** - Wert aufwärts, Taste **LEFT (8)** - Wert abwärts)
  - Für das Wechseln zwischen den Stellen betätigen Sie die Taste **M (7)**.
  - Um das ausgewählte Datum zu speichern und das Untermenü zu verlassen, halten Sie die Taste **M (7)** gedrückt.

- Uhrzeit**  **Uhrzeiteinstellung**
- Halten Sie die Taste **M (7)** gedrückt, um das Hauptmenü aufzurufen.
  - Mit den Tasten **RIGHT (6)** und **LEFT (8)** wählen Sie das Untermenü „**Allgemeine Einstellungen**“ aus.
  - Betätigen Sie kurz die Taste **M (7)**, um das Untermenü aufzurufen.
  - Mit den Tasten **RIGHT (6)** und **LEFT (8)** wählen Sie den Untermenüpunkt „**Uhrzeit**“ aus.
  - Betätigen Sie kurz die Taste **M (7)**, um das Untermenü aufzurufen.
  - Mit den Tasten **RIGHT (6)** und **LEFT (8)** wählen Sie das Zeitformat aus - 24/12 (oder PM / AM).
  - Betätigen Sie die Taste **M (7)**, um zur Einstellung der Stunden zu gelangen.
  - Mit den Tasten **RIGHT (6)** und **LEFT (8)** wählen Sie den Stundenwert aus (Taste **RIGHT (6)** - Wert aufwärts, Taste **LEFT (8)** - Wert abwärts)
  - Betätigen Sie die Taste **M (7)**, um zur Einstellung der Minuten zu gelangen.
  - Mit den Tasten **RIGHT (6)** und **LEFT (8)** wählen Sie die Minutenwerte aus.
  - Um die ausgewählte Uhrzeit zu speichern und das Untermenü zu verlassen, halten Sie die Taste **M (7)** gedrückt.

## Allgemeine Einstellungen



- Halten Sie die Taste **M (7)** gedrückt, um das Hauptmenü aufzurufen.
- Mit den Tasten **RIGHT (6)** und **LEFT (8)** wählen Sie das Untermenü „Allgemeine Einstellungen“ aus.
- Betätigen Sie kurz die Taste **M (7)**, um das Untermenü aufzurufen.
- Mit den Tasten **RIGHT (6)** und **LEFT (8)** wählen Sie den Untermenüpunkt „Standardeinstellungen“ aus.
- Betätigen Sie kurz die Taste **M (7)**, um das Untermenü aufzurufen.
- Mit den Tasten **RIGHT (6)** und **LEFT (8)** wählen Sie die Variante „Ja“ aus, um zu den Werkseinstellungen zurückzukehren, oder „Nein“, um die Aktion abzubrechen.
- Bestätigen Sie die Auswahl durch kurzes Betätigen der Taste **M (7)**.
- Die folgenden Einstellungen werden auf den ursprünglichen Zustand bis deren Änderung durch den Benutzer zurückgesetzt:
 

<b>Helligkeitsstufe</b> - 10	<b>Sprache</b> - Englisch	<b>Automatisches Abschalten</b> - aus
<b>Kontraststufe</b> - 8	<b>Wi-Fi</b> - aus (Passwort standardmäßig)	

## Formatierung



- Durch die Formatierung der integrierten Speicherkarte werden alle gespeicherten Dateien irreparabel gelöscht.
- Achtung!** Stellen Sie sicher, dass Sie die zu löschenden Dateien nicht mehr brauchen, oder erstellen Sie ein Backup auf einem anderen Datenträger.
- Halten Sie die Taste **M (7)** gedrückt, um das Hauptmenü aufzurufen.
  - Mit den Tasten **RIGHT (6)** und **LEFT (8)** wählen Sie das Untermenü „Allgemeine Einstellungen“ aus.
  - Betätigen Sie kurz die Taste **M (7)**, um das Untermenü aufzurufen.
  - Mit den Tasten **RIGHT (6)** und **LEFT (8)** wählen Sie den Untermenüpunkt „Formatierung“ aus.
  - Betätigen Sie kurz die Taste **M (7)**, um das Untermenü aufzurufen.
  - Mit den Tasten **RIGHT (6)** und **LEFT (8)** wählen Sie die Variante „Ja“ für Formatierung aus, oder „Nein“ für Abbruch der Aktion.
  - Bestätigen Sie die Auswahl durch kurzes Betätigen der Taste **M (7)**.

## Automatisches Abschalten



- Mit diesem Menüpunkt können Sie das automatische Abschalten des Gerätes nach einer bestimmten Zeit aktivieren, wenn das Gerät horizontal oder vertikal um mehr als 70°, rechts oder links um mehr als 30° geneigt wird. Dazu müssen keine Steuerorgane des Gerätes betätigt werden.
- Halten Sie die Taste **M (7)** gedrückt, um das Hauptmenü aufzurufen.
  - Mit den Tasten **RIGHT (6)** und **LEFT (8)** wählen Sie den Menüpunkt „Automatisches Abschalten“ aus.
  - Betätigen Sie kurz die Taste **M (7)**, um das Untermenü aufzurufen.
  - Mit den Tasten **RIGHT (6)** und **LEFT (8)** wählen Sie den Zeitraum aus, in dem sich das Gerät automatisch ausschaltet (1 Min; 3 Min; 5 Min), oder wählen Sie „Aus“ aus, wenn Sie die Funktion des automatischen Abschaltens deaktivieren möchten.
  - Bestätigen Sie die Auswahl durch kurzes Betätigen der Taste **M (7)**.
- Hinweis:** Das Symbol in der Statuszeile zeigt den Status der Funktion „Automatisches Abschalten“ an ☺ 1 min.

## Geräteinformation



- Halten Sie die Taste **M (7)** gedrückt, um das Hauptmenü aufzurufen.
  - Mit den Tasten **RIGHT (6)** und **LEFT (8)** wählen Sie den Menüpunkt „Geräteinformation“ aus.
  - Betätigen Sie kurz die Taste **M (7)**, um das Untermenü aufzurufen.
- Die folgenden Informationen über das Gerät stehen dem Benutzer zur Verfügung:
- |                    |                             |                             |
|--------------------|-----------------------------|-----------------------------|
| <b>voller Name</b> | <b>Seriennummer</b>         | <b>Version des Aufbaus</b>  |
| <b>SKU Nummer</b>  | <b>Version der Software</b> | <b>Serviceinformationen</b> |

## Statuszeile



Die Statuszeile befindet sich am unteren Rand des Displays und zeigt Informationen über den aktuellen Status des Gerätes an, darunter:

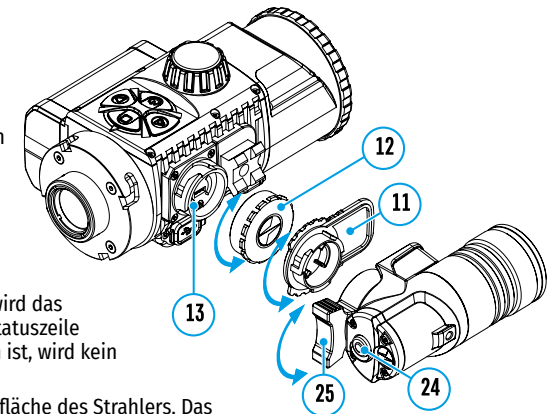
- **SumLight™**-Funktion
- Automatisches Abschalten ☺ 1 min (falls aktiviert)
- IR Strahler-Funktion (z.B., Stufe 3)
- Wi-Fi- Anschluss
- Uhr
- Batterieladezustand (wenn das Gerät von der Akkumulatorenbatterie gespeist wird) oder
- Anzeige der Stromversorgung über eine externe Stromquelle (wenn das Gerät von einer externen Stromquelle gespeist wird) oder
- Batterieladeanzeige mit aktuellem Ladezustand als Prozentwert (wenn die Batterie installiert ist und sie von einer externen Stromquelle geladen wird)

**Anmerkung:** wenn Sie die Vergrößerung des optischen Geräts erhöhen, an dem der Vorsatz montiert ist, kann die Statusleiste die Grenzen des sichtbaren Bildes teilweise oder vollständig hinausgehen.

## IR Strahler

Das Nachtsichtvorsatzgerät ist mit einem abnehmbaren IR-Strahler ausgestattet, der in einer Wellenlänge von 940 nm betrieben wird und den Beobachtungsabstand bei schlechten Lichtverhältnissen oder bei absoluter Dunkelheit vergrößern lässt. Anstelle des mitgelieferten IR Strahlers können Sie auch andere Pulsar IR Strahler (separat erhältlich) installieren.




- Nehmen Sie die Kappe (12) vom Anschluss für Installieren des IR Strahlers (13) ab.
- Nehmen Sie die Blende (11) vom IR Strahler ab.
- Installieren Sie den IR Strahler an das Gerät. Der Hebel (25) muss sich in der oberen Position befinden.
- Machen Sie den IR Strahler fest, indem Sie den Hebel (25) nach unten klappen.
- Für Aktivieren des IR Strahlers schalten Sie das Gerät mit der Taste **ON (9)** ein.
- Wenn der IR Strahler nicht angeschlossen ist, wird das Symbol des deaktivierten IR Strahlers in der Statuszeile angezeigt. Wenn der IR Strahler angeschlossen ist, wird kein Symbol angezeigt.
- Betätigen Sie kurz die **IR Taste (24)** an der Stirnfläche des Strahlers. Das Leistungsniveau beim Einschalten ist minimal **IR ·**.
- In der Statuszeile wird das Symbol des IR Strahlers mit jeweiligem Leistungsniveau angezeigt.
- Durch aufeinanderfolgende kurze Betätigen der **IR Taste (24)** wird das Leistungsniveau des Strahlers nacheinander umgeschaltet (**IR · > IR · ◀ > IR · ◀ > IR ·**).
- Schalten Sie den IR Strahler durch langes Betätigen der **IR Taste (24)** aus.
- Das IR Symbol verschwindet vom Display.





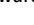
**Hinweis:** Beim Ausschalten des IR Strahlers wird sein Leistungsniveau im Speicher des Gerätes nicht gespeichert. Beim Einschalten des Gerätes wird das minimale Leistungsniveau des Strahlers IR1 aktiviert.

## ⚡ Wi-Fi Funktion

- Das Gerät hat die Funktion der drahtlosen Verbindung mit mobilen Geräten (Tablet, Smartphone) über Wi-Fi.
- Aktivieren Sie den Modul der drahtlosen Verbindung durch langes Betätigen der Taste **LEFT (8)**. Das Funktionieren von Wi-Fi wird in der Statuszeile wie folgt angezeigt:

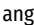
Wi-Fi aus	Kein Symbol
Wi-Fi ist vom Benutzer aktiviert, es erfolgt Einschaltvorgang von Wi-Fi im Gerät	
Wi-Fi ist eingeschaltet, es besteht keine Verbindung zum Gerät	
Wi-Fi ist eingeschaltet, das Gerät wurde erfolgreich verbunden	

Das Gerät wird vom Mobilgerät als „Forward F\_XXXX“ erkannt, wo XXXX die letzten vier Ziffern der Seriennummer sind.

Nach der Passwordeingabe auf dem Mobilgerät (weitere Informationen zur Passwordeinstellung sind im Unterkapitel „**Wi-Fi Einstellungen**“ des Kapitels „**Funktionen des Hauptmenüs**“ der Betriebsanleitung zu finden) und nach der erfolgreichen Verbindung wird das Symbol  in der Statuszeile auf das Symbol  geändert, und die Wiedergabe des Videosignals auf dem Bildschirm des Mobilgerätes wird gestartet, nachdem die Taste „Visier“ auf dem Bildschirm des Mobilgerätes aktiviert wurde. Das Symbol in der Statuszeile ändert sich auf .

**Hinweis:** Sie können die erforderliche Zugriffsebene, die die **Stream Vision**-Anwendung bekommt, für Ihr Gerät im Menüabschnitt „**Zugriffsebene Einstellung**“ einstellen.

## ⚡ Funktion „SumLight™“

- Mit der **SumLight™** - Funktion können Sie die Empfindlichkeit des CMOS-Arrays bei Senkung des Beleuchtungspegels wesentlich erhöhen. Das ermöglicht die Beobachtung bei schlechten Lichtverhältnissen ohne Anwendung des IR Strahlers.
- Um die **SumLight™** - Funktion zu aktivieren, betätigen Sie kurz die Taste **LEFT (8)**.
- Um die **SumLight™** - Funktion zu deaktivieren, betätigen Sie noch einmal kurz die Taste **LEFT (8)**.
- Das Symbol **SumLight™** (aktiv **S** oder nicht aktiv ) wird in der Statuszeile angezeigt.


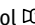
**Achtung!** Beim Aktivieren der **SumLight™** - Funktion steigt der Geräuschpegel im Bild, die Bildwechselrate nimmt ab, die Abbildung verzögert sich – bei ruckartiger Bewegung des Gerätes kann das Bild „verschommen“ werden, solche Erscheinungen sind keine Fehler. Im Display können leuchtende weiße Punkte (Pixel) sichtbar sein, die Anzahl der Punkte kann beim Aktivieren der **SumLight™** - Funktion steigen – das ist durch die Besonderheiten dieser Funktion bedingt und es liegt ebenfalls kein Fehler vor.

## ⚡ Video- und Fotoaufnahme

Das Gerät hat die Funktion der Videoaufnahme (Fotoaufnahme) des beobachteten Bildes auf die eingebaute Speicherkarte.

Lesen Sie vor der Verwendung der Foto- und Videofunktionen die Unterkapitel „**Datumseinstellung**“ und „**Uhrzeiteinstellung**“ im Kapitel „**Funktionen des Hauptmenüs**“ der vorliegenden Bedienungsanleitung.

Das eingebaute Aufnahmegerät funktioniert in zwei Modi:


- **FOTO** (Fotoaufnahme; in der oberen rechten Ecke des Displays wird das Symbol  angezeigt). Wenn die geschätzte Anzahl der Fotos, die im Flash-Speicher noch gespeichert werden können, 100 überschreitet, wird „> 100“ angezeigt.
- **VIDEO** (Videoaufnahme; in der oberen rechten Ecke des Displays wird das Symbol  und die verbleibende Gesamtaufnahmezeit, basierend auf der aktuellen Auflösung im Format MM: SS - Minuten: Sekunden, angezeigt).

Beim Einschalten ist das Gerät auf den Videomodus eingestellt. Der Wechsel der Modi erfolgt durch langes Betätigen der Taste **RIGHT (6)**. Der Übergang zwischen den Modi erfolgt zyklisch (Video-> Foto-> Video...).

### Modus Foto. Fotoaufnahme

- Wechseln Sie in den Fotomodus durch langes Betätigen der Taste **RIGHT (6)**.
- Betätigen Sie kurz die Taste **RIGHT (6)**, um ein Foto zu machen. Das Bild friert für eine halbe Sekunde ein.
- Die Fotodatei wird auf die eingebaute Speicherkarte gespeichert.

### Modus Video. Videoaufnahme

- Wechseln Sie in den Videomodus durch langes Betätigen der Taste **RIGHT (6)**.
- Betätigen Sie kurz die Taste **RIGHT (6)**, um ein Video zu starten.
- Nach dem Start der Videoaufnahme verschwindet das Symbol , stattdessen erscheint das Symbol REC sowie der Timer der Videoaufnahme im Format MM: SS (Minuten: Sekunden) \*;
- Um die Videoaufnahme zu stoppen, halten Sie die Taste **RIGHT (6)** gedrückt.
- Die Videodateien werden nach dem Stoppen der Videoaufnahme auf die eingebaute Speicherkarte gespeichert.

\* Das Symbol wird 2 Sekunden lang angezeigt und dann ausgeblendet. Beim nächsten kurzen Betätigen der Taste **RIGHT (6)** erscheint das Symbol, und der Aufnahmetimer zeigt die aktuelle Aufnahmezeit des Videos an.

### Anmerkungen:

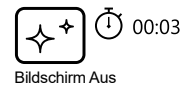
- Nach dem Stoppen der Videoaufnahme / nach der Fotoaufnahme; beim Ausschalten des Gerätes, wenn die Aufnahme eingeschaltet war; Wenn die Speicherkarte während der Videoaufnahme überfüllt wurde (die Meldung „Speicher voll“ wird auf dem Display angezeigt).
- Während der Videoaufnahme können Sie das Menü des Gerätes aufrufen und im Menü arbeiten.
- Die aufgenommenen Videos und Fotos werden auf die eingebaute Speicherkarte des Gerätes im Format img\_ xxx.jpg (für Fotos), und video\_ xxx.mp4 (für Videos) gespeichert. xxx ist allgemeiner dreistelliger Dateizähler (für Fotos und Videos);
- Der Zähler, der bei der Benennung von Multimedia-Dateien verwendet wird, wird nicht zurückgesetzt.
- Wenn Sie eine Datei aus der Mitte der Liste löschen, übergeht ihre Nummer nicht auf eine andere Datei.
- Bei der Überfüllung des Zählers wird ein neuer Ordner mit dem Namen img\_ xxxx erstellt, wo xxxx der Zähler der Ordner ist.
- Die maximale Länge einer aufgenommenen Videodatei beträgt sieben Minuten. Nachdem diese Zeit abgelaufen ist, wird das Video in einer neuen Datei aufgenommen. Die Anzahl der Dateien ist durch die interne Speicherkapazität des Gerätes beschränkt;
- Kontrollieren Sie regelmäßig den freien Speicherplatz der eingebauten Speicherkarte, übertragen Sie das aufgenommene Material auf andere Träger, so räumen Sie Platz auf der Speicherkarte;
- Auf den aufgenommenen Videodateien und Fotos werden grafische Informationen angezeigt (Statuszeile, Symbole usw.).

## ⚡ Funktion „Bildschirm Aus“ (Display Off)

Diese Funktion bringt das Gerät in den Standby-Modus, so dass Sie es bei Bedarf schnell einschalten können. Varianten der Arbeit mit der Funktion „**Bildschirm Aus**“:

**Variante 1.** Das Gerät ist ausgeschaltet. Man muss das Gerät einschalten und die Funktion „**Bildschirm Aus**“ aktivieren.

- Schalten Sie das Gerät durch kurzes Betätigen der Taste **ON (9)** ein.
- Aktivieren Sie die Funktion „**Bildschirm Aus**“: die Taste **ON (9)** gedrückt halten. Auf dem Bildschirm erscheint die Meldung „Bildschirm Aus“ mit dem Countdown
- Lassen Sie die Taste **ON (9)** los.
- Um die Funktion „**Bildschirm Aus**“ zu deaktivieren, betätigen Sie kurz die Taste **ON (9)**.



**Variante 2.** Die Funktion „**Bildschirm Aus**“ ist aktiviert, man muss das Gerät abschalten.

- Halten Sie die Taste **ON (9)** gedrückt. Auf dem Bildschirm erscheint die Meldung „**Bildschirm Aus**“ mit dem Countdown 3,2,1,0.

- Halten Sie die Taste **ON (9)** bis zum Abschalten des Gerätes gedrückt (das Abschalten des Gerätes erfolgt nach dem Zählen von 0). \*

\* Ein späteres Herunterfahren des Gerätes infolge des Abschlusses der Informationsverarbeitung durch den Prozessor zwecks Datenspeicherung ist möglich. Dabei zeigt das Display 0 in der Countdown-Zeit.

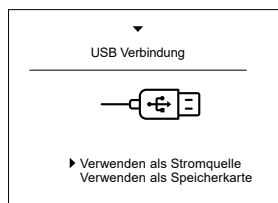
## ⚡ Anschluss Von USB

- Schalten Sie das Gerät durch Betätigen der Taste **ON (9)** ein (das ausgeschaltete Gerät wird vom Computer nicht erkannt).
- Schließen Sie ein Ende des USB Kabels an die Micro-USB-Buchse (**14**) des Gerätes und das andere Ende an den Anschluss an Ihrem Computer an.
- Das Gerät wird vom Computer automatisch erkannt, die Installation von Treibern ist nicht erforderlich.
- Auf dem Display erscheinen zwei Anschlussvarianten: **Speicherkarte (Memory card)** und **Stromquelle (Power)**.
- Mit den Tasten **RIGHT (6)** und **LEFT (8)** wählen Sie eine Anschlussvariante aus.
- Betätigen Sie kurz die Taste **M (7)**, um die Auswahl zu bestätigen.

### Anschlussvarianten:

#### Speicherkarte (Memory card).

- Bei der Wahl dieser Variante wird das Gerät vom Computer als USB-Stick erkannt. Diese Option ist für die Arbeit mit Dateien vorgesehen, die im Speicher des Gerätes gespeichert sind. Die Gerätefunktionen sind dabei nicht verfügbar, das Gerät schaltet sich nicht aus. Wenn die Verbindung zum Computer getrennt wird, funktioniert das Gerät weiterhin.
- Wenn zum Zeitpunkt der Verbindung ein Video aufgenommen wurde, wird die Aufnahme gestoppt und gespeichert.



#### Stromquelle (Power).

- Bei der Wahl dieser Variante wird der Computer vom Gerät als externe Stromversorgungsquelle verwendet. In der Statuszeile erscheint das Symbol . Das Gerät funktioniert weiter, alle Funktionen sind verfügbar. Es erfolgt kein Aufladen der im Gerät installierten Akkumulatorenbatterie.

#### Abschalten von USB

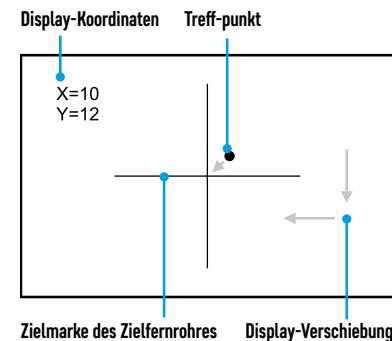
- Beim Abschalten des USB Kabels vom Gerät, das im Modus „Speicherkarte“ funktioniert, bleibt das Gerät eingeschaltet.
- Beim Abschalten des USB Kabels vom Gerät, das im Modus „Stromquelle“ funktioniert, wird das Gerät von der Batterie weiter betrieben, wenn sie ausreichend aufgeladen ist.

## ⚡ Anwendung der Weaver-Schiene

Das Nachtsichtvorsatzgerät ist mit einer Weaver-Schiene (**15**) ausgestattet, mit der Sie zusätzliches Zubehör installieren können. Sie müssen zuerst den abnehmbaren IR Strahler entfernen (siehe Kapitel „IR Strahler“).

## ⚡ Kalibrierung des Displays

Das Gerät ist so eingestellt, dass nach seinem Anbau an das richtig eingeschossene Zielfernrohr keine Justierung des Zielpunktes erforderlich ist. Sollte das Gerät einen heftigen Stoß oder Sturz erleiden, können Sie die Treffpunktlage überprüfen und gegebenenfalls selbst korrigieren, ohne sich an das Servicezentrum zu wenden.



- Zum Aufrufen des Modus der Display-Kalibrierung halten Sie die Taste **M (7)** 10 Sekunden lang gedrückt – es erscheinen die Display-Koordinaten- X=0; Y=0.
- Verschieben Sie das Display waagrecht (Achse X) und senkrecht (Achse Y) mit den Tasten **LEFT (8)** und **RIGHT (6)**, so dass der Treffpunkt in die Mitte der Zielmarke Ihres Zielfernrohrs verschoben wird. Um zwischen den X- und Y-Koordinaten zu wechseln, betätigen Sie kurz die Taste **M (7)**.
- Der Schritt der Bildverschiebung beträgt 1 Pixel des Sensors.
- Der Bildverschiebungsbereich beträgt +/- 20 Pixel waagrecht (Achse X) und +/- 20 Pixel senkrecht (Achse Y). Um das Menü zu verlassen und die Einstellungen zu speichern, halten Sie die Taste **M (7)** zwei Sekunden lang gedrückt.
- Um das Menü zu verlassen und die Einstellungen zu speichern, halten Sie die Taste **M (7)** zwei Sekunden lang gedrückt.

## ⚡ Stream Vision

Die Nachtsichtvorsatzgeräte Forward halten die Technologie **Stream Vision** ein. Mit **Stream Vision** wird das Bild vom Gerät auf Ihr Smartphone oder Tablet via Wi-Fi im Realzeitbetrieb übertragen. Detaillierte Anweisungen zur Bedienung von **Stream Vision** finden Sie in einem separaten Prospekt oder auf der Webseite [www.pulsar-vision.com](http://www.pulsar-vision.com)

**Anmerkung:** Im Design des Gerätes ist die Möglichkeit des Updates der Software vorgesehen. Das Update erfolgt über die **Stream Vision**-Anwendung.

Scannen Sie die QR-Codes, um die **Stream Vision**-Anwendung herunterzuladen:



## ⚡ Technische Inspektion

Vor jedem Gebrauch des Gerätes wird eine technische Inspektion empfohlen.

### Überprüfen Sie:

- Geräteübersicht (Risse am Gehäuse sind nicht zulässig).
- Zustand der Objektiv- und Okularlinsen des Gerätes und der Linse des IR Strahlers (Risse, Fettflecken, Schmutz und andere Ablagerungen sind nicht zulässig). Reinigen Sie die Außenflächen von Metall- und Plastikteilen von Staub, Schmutz und Feuchtigkeit, wischen Sie sie mit einem Baumwolltuch ab.
- Zustand der Batterie (sie muss geladen sein) und der elektrischen Kontakte an der Batterie (Salz und Oxidation sind nicht zulässig).
- Funktionsfähigkeit der Steuerorgane.
- Genauigkeit und Zuverlässigkeit der Befestigung des Gerätes am Zielfernrohr

## ⚡ Technische Wartung

Die Wartung wird mindestens zweimal jährlich durchgeführt und umfasst folgende Punkte:

- Reinigen Sie die Außenflächen von Metall- und Kunststoffteilen mit einem Baumwolltuch von Staub und Schmutz. Silikonfett ist erlaubt.
- Reinigen Sie die elektrischen Kontakte der Batterie und des Batteriesteckplatzes mit einem fettarmen organischen Lösungsmittel.
- Überprüfen Sie die Linsen des Objektivs und Okulars. Reinigen Sie sie bei Bedarf von Staub und Sand (vorzugsweise kontaktlos). Reinigen Sie die Außenflächen der Optik mit speziell dafür vorgesehenen Mitteln.

## ⚡ Lagerung

Lagern Sie das Gerät immer nur in der Aufbewahrungstasche, in einem trockenen, gut belüfteten Raum. Bei der Dauerlagerung ziehen Sie die Batterie unbedingt heraus.

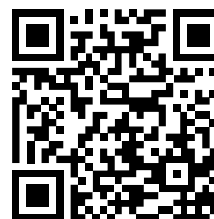
## ⚡ Fehlersuche

Fehlfunktion	Mögliche Ursache	Beseitigung
Das Gerät lässt sich nicht einschalten.	Die Batterie ist völlig entladen.	Laden Sie die Batterie auf.
Das Gerät funktioniert nicht von einer externen Stromquelle.	Das USB Kabel ist beschädigt.	Ersetzen Sie das USB Kabel.
	Die externe Stromquelle ist entladen.	Laden Sie die externe Stromquelle auf.
Das Smartphone oder Tablet stellt keine Verbindung zum Gerät her.	Das Passwort im Gerät wurde geändert.	Löschen Sie das Netzwerk und stellen Sie die Verbindung mit dem im Gerät gespeicherten Passwort wieder her.
	Das Gerät befindet sich in einer Zone mit großer Anzahl von Wi-Fi-Netzwerken, die Störungen verursachen können.	Um einen stabilen Wi-Fi-Betrieb zu gewährleisten, bringen Sie das Gerät in eine Zone mit einer geringeren Anzahl von Wi-Fi-Netzwerken oder in eine Zone, in der sie nicht vorhanden sind.
Signalsendung via Wi-Fi fehlt oder wird unterbrochen.	Das Gerät befindet sich außerhalb der Zone eines sicheren Wi-Fi-Signalempfangs. Zwischen dem Gerät und dem Signalempfänger befinden sich Hindernisse (z. B. Betonwände).	Bringen Sie das Gerät in die Sichtlinie des Wi-Fi-Signals.
Schlechte Bildqualität.	Dieses Problem kann bei der Beobachtung unter schwierigen Wetterbedingungen (Schnee, Regen, Nebel usw.) auftreten.	
Das Bild ist zu dunkel.	Das Helligkeits-/Kontrastniveau des Bildes ist zu niedrig	Stellen Sie das Helligkeits-/Kontrastniveau ein.
Auf dem Display sind Streifen erschienen, oder das Bild ist verschwunden.	Während des Betriebs wurde das Gerät statischer Spannung ausgesetzt.	Nach der Auswirkung statischer Spannung kann sich das Gerät selbständig neu starten, oder schalten Sie das Gerät aus und wieder ein.

Fehlfunktion	Mögliche Ursache	Beseitigung
Beim deutlichen Bild des Absehens bleibt das Bild des Objektes unscharf.	Staub oder Kondensat auf optischen Außen- oder Innenflächen des Objektivs.	Wischen Sie die optischen Außenflächen mit einem weichen Baumwolltuch ab. Trocken Sie das Gerät - lassen Sie es 4 Stunden lang in einem warmen Raum liegen.
	Das Objektiv ist nicht scharf eingestellt.	Stellen Sie die Bildscharfe durch Drehen des Objektivreglers ein.
Das Display liegt nicht im Zentrum.	Die Lage des Gerätes auf dem Tageslichtzielfernrohr ist nicht eingestellt.	Klappen Sie den Adapter auf, bringen Sie das Display ins Zentrum des Sehfeldes (s. Kapitel „Betrieb“).
Das Gerät lässt sich nicht fokussieren.	Falsche Einstellung.	Stellen Sie Ihr Zielfernrohr laut Kapitel „Betrieb“ ein. Prüfen Sie Außenflächen der Objektiv- und Okularlinsen; falls notwendig reinigen Sie sie von Staub, Kondensat, Eistau u.ä. Bei kaltem Wetter können Sie spezielle Anti-Fog-Beschichtungen anwenden (z.B., wie für Korrekturbrillen).
Der Treffpunkt fällt mit dem Zielpunkt nicht zusammen.	Das Display soll kalibriert werden.	Kalibrieren Sie das Display gemäß den Anweisungen im Kapitel „Kalibrierung des Displays“.
	Das Gerät ist am Zielfernrohr oder das Zielfernrohr ist an der Waffe nicht fest installiert.	Überprüfen Sie feste Installation des Gerätes am Zielfernrohr und sichere Befestigung des Zielfernrohres an der Waffe. Stellen Sie sicher, dass Sie genau die Art von Munition verwenden, mit der Ihre Waffe und Ihr Zielfernrohr zuvor eingeschossen wurden. Wenn Sie Ihr Zielfernrohr im Sommer eingeschossen haben und es im Winter betreiben (oder umgekehrt), ist eine gewisse Änderung des Nullpunkts des Einschießens nicht ausgeschlossen.
Beim Abfeuern rutscht das Gerät vom Zielfernrohr ab.	Unzureichende Klemmung des Adapters. Falsche Hülse ausgewählt.	Wählen Sie eine passende Hülse und klemmen Sie den Adapter laut Empfehlungen fest.
Adapterklemme kann nicht geöffnet werden.	Falsche Hülse ausgewählt.	Wählen Sie eine passende Hülse. Prüfen Sie, ob zwischen den Lippen des Adapters ein Spalt vorhanden ist.

Unter dem Link finden Sie Antworten auf häufig gestellte Fragen.

<https://www.pulsar-nv.com/glo/support/faq/79>



**Elektromagnetische Verträglichkeit.**

Dieses Produkt entspricht den Anforderungen der Europäischen Norm EN 55032:2015, Klasse A.

**Achtung:** Der Betrieb dieses Produktes in Wohngebieten kann Funkstörungen verursachen.

**Achtung!** Digitale Nachtsichtgeräte Forward erfordern eine Lizenz, wenn sie über die Grenzen Ihres Landes exportiert werden.

**Schützen Sie die Umwelt!**

Ihr Gerät enthält mehrere unterschiedliche, wiederverwertbare Wertstoffe.

Bitte geben Sie Ihr Gerät zum Entsorgen nicht in den Hausmüll, sondern bringen Sie es zu einer speziellen Entsorgungsstelle für Elektrokleingeräte (Wertstoffhof).

## ⚡ Características técnicas

<b>MODELO</b>	<b>FORWARD F455</b>
<b>SKU #</b>	<b>78186</b>
<b>CARACTERÍSTICAS ÓPTICAS</b>	
Enfoque de lente, mm	50
Lente del objetivo, D / f'	1:1
Campo visual (horizontal), °	6,3
Campo visual (horizontal), m @ 100 m	11
Alcance de observación máx. de un animal que mide 1,7m, m	500
Alcance de acercamiento, m	5
Aumento máximo recomendado del visor diurno, x	2-8
<b>CARACTERÍSTICAS ELECTRÓNICAS</b>	
Tipo y resolución del sensor	CMOS HD 1280X720
Tipo y resolución de la pantalla	AMOLED 1746x1000
Sensibilidad, mW (longitud de onda 780 nm, resolución 25 lin/mm)	1,5×10 <sup>-5</sup>
Sensibilidad, mW (longitud de onda 915 nm, resolución 25 lin/mm)	5,5×10 <sup>-5</sup>
<b>ILUMINADOR IR DESMONTABLE</b>	
Tipo / Longitud de onda, nm	LED 940
<b>CARACTERÍSTICAS OPERATIVAS</b>	
Alimentación, V	3,0 - 4,2
Tipo de pila / Capacidad / Voltaje nominal de salida	Li-Ion Battery Pack IPS7 / 6400 mAh / DC 3,7V
Alimentación externa	Micro USB Tipo-B (5V)
Tiempo de funcionamiento con acumulador a t=22 °C (Wi-Fi OFF, IR OFF), h	9
Resistencia máxima de choque en las armas estriadas, julios	6000
Resistencia máxima de choque en las armas lisas, calibre	12
Grado de protección, código IP (IEC60529)	IPX7
Temperatura de funcionamiento, ° C	-25 ... +50
Dimensiones, mm	155x136x77
Peso, kg	0,83
<b>GRABADOR DE VÍDEO</b>	
Resolución de vídeo / foto, píxeles	1280x720
Formato de vídeo / foto	.mp4 / .jpg
Memoria integrada	16GB
<b>CANAL WIFI</b>	
Frecuencia	2,4 GHz
Estándar	802.11 b / g / n

El diseño de este producto está sujeto a modificaciones con fines de mejorar sus propiedades del consumo. Encontrará la última edición del manual de usuario en el sitio web [www.pulsar-vision.com](http://www.pulsar-vision.com)

## ⚡ Paquete de entrega

- Dispositivo digital acoplable
- Estuche
- Pila recargable
- Cargador para la pila recargable
- Adaptador de red
- Cable microUSB
- Manual de usuario
- Paño de lente
- Tarjeta de garantía

## ⚡ Descripción

Visor nocturno acoplable **Forward F455** es un dispositivo universal que permite transformar de manera rápida y fácil el visor diurno en el nocturno. El visor se monta en el objetivo del visor diurno con la ayuda de adaptadores diseñados para diferentes diámetros del objetivo. Para el visor no se requiere regular el tiro (foguear). El visor está destinado para diversas esferas de aplicación incluso la caza, tiro deportivo, toma de fotos y grabación de vídeo de noche y observación.

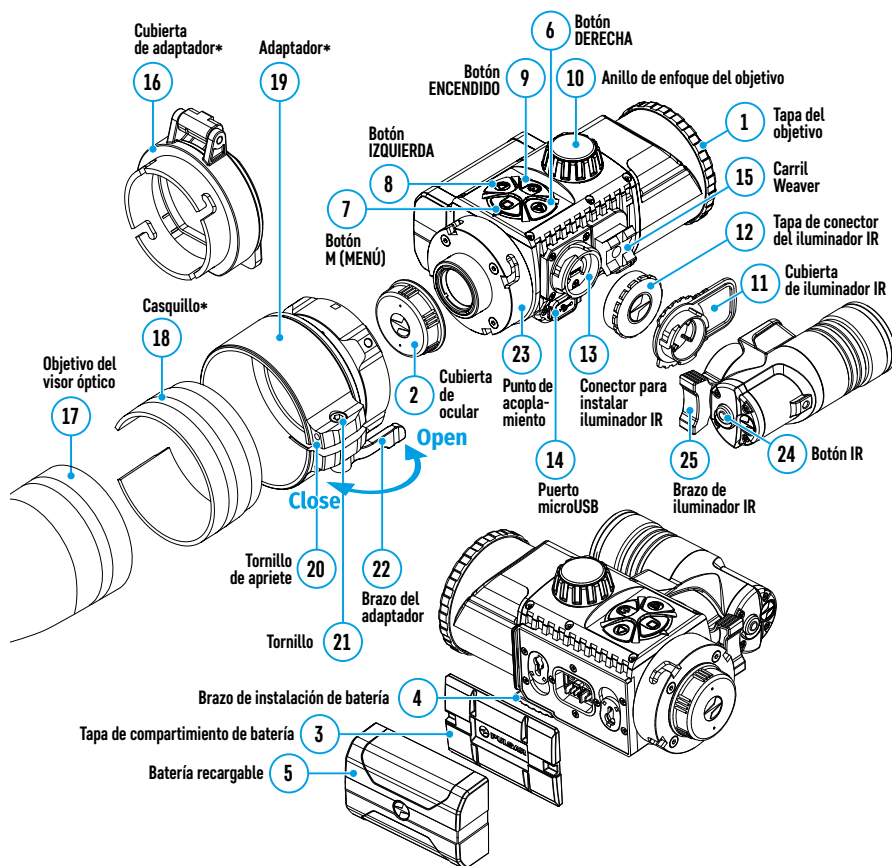
## ⚡ Características

### Características clave:

- Sensor HD 1280x720
- Alta sensibilidad nocturna
- Transformación fácil del visor óptico en el nocturno
- Preservación de las ventajas de la óptica diurna en condiciones de noche
- Estabilidad del punto de puntería
- Aplicación confortable en amplia escala de aumento de la óptica diurna
- Invisible iluminador IR de largo alcance
- Función de aumento adicional de sensibilidad **SumLight™**
- Distancia de detección hasta 500 m.
- Puesta en marcha instantánea
- Grabación de vídeo integrada
- Alimentación de pilas recargables de alta capacidad y de montaje rápido B-Pack
- Sistema de fijación de cuatro puntos con una montadura automática
- Compatibilidad con adaptadores de otros fabricantes.
- Resistencia al impacto en grandes calibres: 12 cal., 9.3x64, .375H & H
- Wi-Fi. Integración con dispositivos iOS y Android.
- **Stream Vision.** Control remoto, observación y emisión en directo en YouTube mediante un teléfono inteligente
- Control remoto de soporte lógico
- Impermeabilidad completa al agua (IPX7)
- Amplio rango de temperatura de funcionamiento (-25 ... + 50 ° C)
- MicroUSB. Apoyo de alimentación de Power Bank

## ⚡ Unidades y controles

1. Tapa del objetivo
2. Cubierta de ocular
3. Tapa del compartimiento de batería
4. Brazo de instalación de batería
5. Batería recargable
6. Botón **DERECHA**
7. Botón **M (MENÚ)**
8. Botón **IZQUIERDA**
9. Botón **ENCENDIDO**
10. Anillo de enfoque del objetivo
11. Cubierta de iluminador IR
12. Tapa de conector del iluminador IR
13. Conector para instalar del iluminador IR
14. Puerto microUSB
15. Carril Weaver
16. Cubierta de adaptador\*
17. Objetivo del visor óptico
18. Casquillo\*
19. Adaptador\*
20. Tornillo de apriete
21. Tornillo
22. Brazo del adaptador
23. Punto de acoplamiento
24. Botón **IR**
25. Brazo de iluminador IR



\*Los elementos de la Tapa-adaptador FN (se adquiere aparte)

## ⚡ Descripción de los botones

Botón	Modo de funcionamiento	Primera pulsación breve	Siguientes pulsaciones breves	Pulsación prolongada
<b>ENCENDIDO (9)</b>	Dispositivo apagado	Enciende el dispositivo	–	Enciende el dispositivo
	Pantalla apagada	Enciende la pantalla	–	Apaga el dispositivo
	Dispositivo encendido, menú rápido, menú principal	–	–	Apaga la pantalla / Apaga el dispositivo
<b>IZQUIERDA (8)</b>	Dispositivo encendido	Activa <b>SumLight™</b>	Desactiva <b>SumLight™</b>	Activa WiFi / Desactiva WiFi
	Navegación por el menú	Navega hacia arriba, a la izquierda, contra las agujas del reloj		
	Menú rápido	Reduce el parámetro		
<b>MENU (7)</b>	Dispositivo encendido	Entra en el menú rápido		Entra en el menú principal.
	Navegación por el menú	Confirma la elección		Sale del submenú sin confirmar selección / Sale del menú (cambiar a modo de visión)
	Menú rápido	Navegación hacia arriba		Sale del menú rápido.
<b>DERECHA (6)</b>	Dispositivo encendido (modo "Video")	Inicia grabación de video	–	Detiene la grabación de video / Cambia a modo "Foto"
	Dispositivo encendido (modo "Foto")	Toma una fotografía		Cambia a modo "Video"
	Navegación por el menú	Abajo / hacia la derecha / en sentido de las agujas de reloj		
<b>IR (24)</b>	Menú rápido	Incrementa el parámetro		
	Dispositivo encendido, menú rápido, menú principal	Activa IR	Cambia potencia IR	Desactiva IR

## ⚡ Guías de operación

El visor acoplable **Forward F455** está destinado para un uso prolongado. Para garantizar la duración y una capacidad completa de trabajo del dispositivo cumpla las siguientes recomendaciones:

- Antes del uso del dispositivo, asegúrese de que el montaje fue realizado conforme a la sección **"Instalación del dispositivo acoplable en el visor óptico"**.
- Apague el visor acoplable después de su uso.
- ¡Se prohíbe reparar o desarmar el dispositivo cuando está en período de garantía!
- El dispositivo puede utilizarse dentro de un amplio rango de temperaturas. Si el visor fue utilizado en el frío y fue llevado a un local caliente, no lo saque del estuche durante 2 ó 3 horas. Gracias a esto se podrá evitar que se forme el condensado en los componentes ópticos exteriores.
- Para garantizar un funcionamiento impecable, para prevenir y eliminar las causas que provocan el desgaste prematuro o el estropeo de los bloques y piezas, es necesario oportunamente llevar a cabo una revisión técnica y el mantenimiento del visor.
- La pila no debe someterse a un calentamiento excesivo provocado por los rayos solares, el fuego u otras fuentes de calor.



## ⚡ Uso de la pila recargable

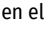
El visor **Forward F455** se suministra con una batería de alimentación externa litio-ión IPS7 recargable que permite un funcionamiento de hasta 9 horas. Cargue completamente la pila antes del primer uso.

### Carga de la pila recargable:

- Conecte el enchufe del cable microUSB a la ranura USB (C) del dispositivo de carga.
- Conecte el enchufe del cable USB al adaptador de red.
- Conecte el adaptador de red al enchufe 110-220B.
- Levante el brazo (A) del dispositivo de carga.
- Retire la cubierta protectora de la pila recargable.
- Instale la pila recargable en el dispositivo de carga de modo como está indicado en el dibujo, fije el brazo (A).
- Tras la instalación, en el dispositivo de carga encenderá el indicador (B) verde y empezará a parpadear con determinado intervalo:
  - una vez, si la carga de la pila oscila entre el 0 y el 50%;
  - dos veces, si la carga de la pila oscila entre el 51 y el 75%;
  - tres veces, si la carga de la pila oscila entre el 76 y el 100%.
- Si el indicador se mantiene encendido con una luz verde continua, la pila está totalmente cargada. Desconecte el dispositivo de carga de la red, desconecte la pila del dispositivo de carga.
- Si al introducir la pila en el cargador el indicador del cargador continúa en rojo, probablemente el nivel de carga de la pila es menor del aceptable. Deje la pila en el dispositivo de carga durante un largo periodo de tiempo (hasta varias horas), luego extráigala y vuelva a colocar.
- Si la luz del indicador empieza a parpadear en verde, la pila está en buen estado;
- Si el indicador sigue en rojo, la pila es defectuosa y no puede ser usada. Reemplace la pila.

**¡Atención!** Para cargar siempre utilice el dispositivo de carga que viene con el visor o un dispositivo de carga Pulsar IPS (se adquiere aparte). El uso de otros dispositivos de carga puede dañar a la pila de forma irreversible.

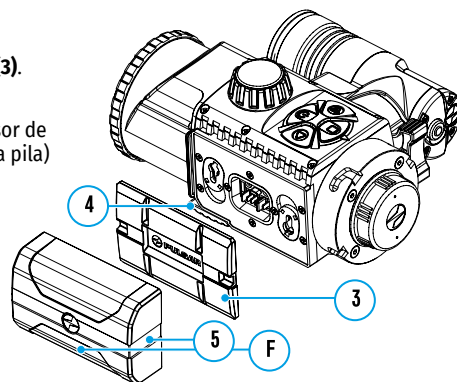
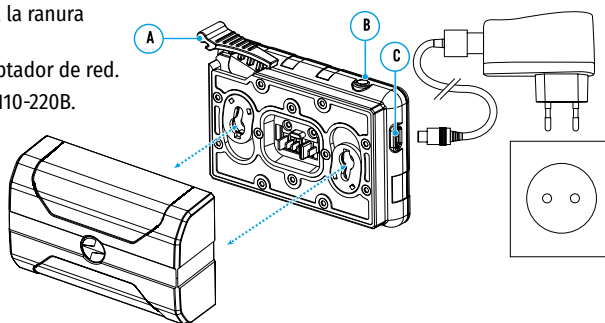
### Instalación de la pila recargable:

- Baje el brazo (4).
- Retire la cubierta protectora del compartimento de pila (3).
- Retire la cubierta protectora de la pila recargable (5).
- Instale la pila (5) en la ranura prevista para ésta en el visor de manera que el elemento F (resalto  en el casco de la pila) se encuentre abajo.
- Fije la pila levantando - el brazo (4).

**¡Atención!** El dispositivo puede alimentarse de una fuente externa de alimentación de tipo Power Bank (5V). Para conectar una fuente de alimentación externa al dispositivo, conecte el cable USB al puerto microUSB (14) del dispositivo. Para más detalles véase el punto "Alimentación externa"

### Medidas de seguridad

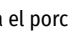
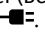
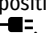
- No utilice el dispositivo de carga si su estructura fue modificada o si fue dañado.
- No deje la batería sin supervisión durante su carga.
- No deje el dispositivo de carga con la pila conectada a la red durante más de 24 horas después de que la pila se haya cargado totalmente.



- Cargue la batería a una temperatura de entre 0°C y +45°C. En caso contrario la vida útil de la pila puede reducirse.
- No cargue la pila enseguida tras traerla de condiciones frías a las calientes. Espere 30 - 40 minutos para que la pila se caliente.
- No exponga la batería a temperaturas altas ni a una llama viva.
- La pila no está diseñada para ser sumergida en el agua.
- No se recomienda conectar dispositivos de terceros con un consumo de corriente que exceda los niveles permitidos.
- La pila está protegida frente a cortocircuitos, no obstante, debería evitarse cualquier situación que pueda provocar un cortocircuito.
- No desmonte ni deforme la pilas.
- No deje caer ni golpee la pila.
- Si la pila va a estar en desuso durante un periodo prolongado, debe estar parcialmente cargada, o sea no debe estar ni cargada del todo ni descargada del todo.
- Guarde la pila fuera del alcance de los niños.

## ⚡ Alimentación externa

La alimentación externa se realiza de una fuente de alimentación externa de tipo Power Bank (5V).

- Conecte la fuente de alimentación externa al puerto USB (14) del dispositivo acoplable.
- El dispositivo cambia al funcionamiento por alimentación eléctrica externa, al mismo tiempo la pila IPS7 irá cargándose paulatinamente.
- En la pantalla aparecerá el pictograma de la pila  y se indicará el porcentaje del nivel de la carga.
- Si el dispositivo está conectado a un ordenador o un adaptador de red o un powerbank que no cumpla con el estándar Battery Charger (BC 1.0), la pila IPS7 no empezará a cargarse, y se mostrará solo el pictograma de la alimentación externa .
- Si el dispositivo funciona con alimentación eléctrica externa pero la pila IPS7 está conectada, se muestra el icono .
- Cuando se desconecta la alimentación eléctrica externa, el dispositivo empezará a alimentarse de la pila.

## ⚡ Funcionamiento

### Instalación del dispositivo acoplable en el visor óptico

- Seleccione un adaptador (se adquiere aparte) con un casquillo con las dimensiones necesarias en dependencia del diámetro externo del objetivo de su visor óptico (véase la tabla).
- La indicación 42 mm / 50 mm / 56 mm en la denominación del adaptador designa el diámetro de luz del objetivo del visor óptico.
- Retire la tapa (16) del adaptador (19), girándola a la derecha.
- Antes de instalarlo, se recomienda desengrasar el cuerpo del objetivo.
- Instale el casquillo (18) hasta el tope en el adaptador (19).
- Instale hasta el tope el adaptador con el casquillo encima del objetivo del visor diurno (17).
- Ponga el brazo (22) de la posición inicial "abierto" (OPEN) en la posición "cerrado" (CLOSE).
- Compruebe si el adaptador se adhiere al objetivo.
- En caso de haber espacio libre se debe hacer lo siguiente:
  - Afloje con la llave Allen (S=2mm) el tornillo de apriete (20).
  - Apriete el tornillo (21) con la llave Allen (S=4mm) con el esfuerzo que es necesario para garantizar el encaje apretado del adaptador encima del objetivo. La fuerza de apretar debe ser 1 Nm.
  - Apretar el tornillo de apriete (20).

- El esfuerzo es posible de comprobar con el destornillador de dinamometría.
- Inserte el visor en el adaptador de modo que los pasadores que se encuentran en el cuerpo del adaptador entren en las ranuras (23) del visor. Gire el visor a la derecha hasta que se detenga. La marca en forma de un triángulo en el visor y la marca en forma de un cuadrado en el cuerpo del adaptador deben coincidir.
- Para alinear el visor, mueve el brazo (22) a la posición **OPEN** alinea el visor acoplable por el horizonte.

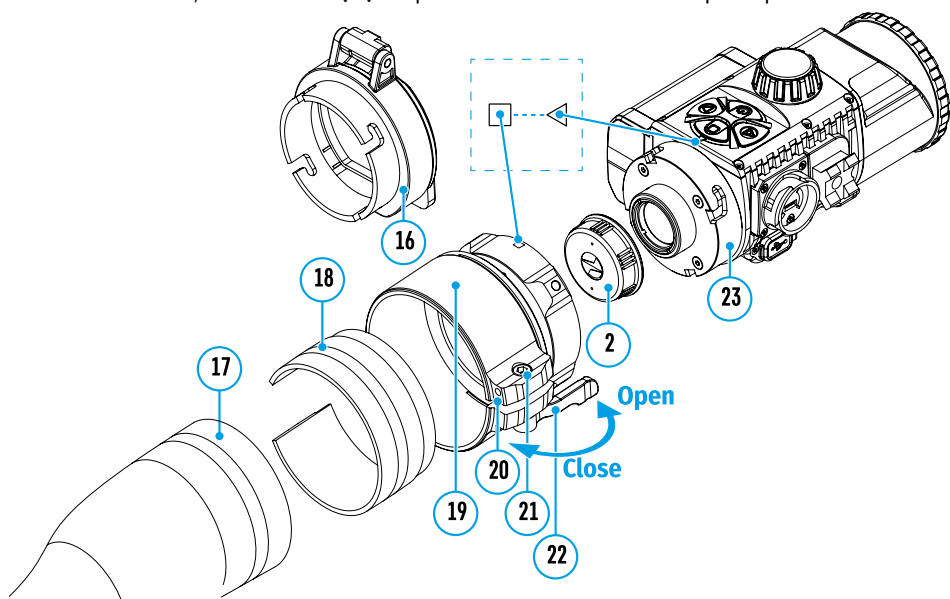


Tabla para seleccionar los casquillos para los visores diurnos

Modelo de la Tapa-Adaptador	Referencia del diámetro interior del casquillo y del diámetro exterior del casco del objetivo del dispositivo óptico diurno (visor, antejo de larga distancia)	
	Diámetro interno del casquillo, mm	Diámetro externo del cuerpo del objetivo del visor, mm
Tapa-Adaptador FN 42 mm	47	46,7-47,6
	48	47,7-48,6
	49	48,7-49,6
	50	49,7-50,6
	55	54,7-55,6
Tapa-Adaptador FN 50 mm	56	55,7-56,6
	57	56,7-57,6
	58	57,7-58,6
	59	58,7-59,6
	60	59,7-60,6
Tapa-Adaptador FN 56 mm	61	60,7-61,6
	62	61,7-62,6
	63	62,7-63,6
	64	63,7-64,6
	65	64,7-65,6

### Puesta en marcha y ajuste de la imagen

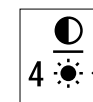
- Retire la tapa del objetivo (1) girándola hacia la izquierda.
- Pulse brevemente el botón **ENCENDIDO (9)**, enciende el visor - en la pantalla aparecerá la imagen.
- Ajuste la definición de los símbolos en la pantalla girando la arandela de ajuste de dioptrías del ocular de su visor óptico. En adelante, cualesquiera que sean la distancia y las condiciones, no hará falta girar la arandela de ajuste de dioptrías del ocular.
- Para tomar foco del objeto de observación gire el anillo de enfoque del objetivo (10).

Los ajustes base (ajuste de la luminosidad y el contraste) se realizan mediante las funciones del menú de acceso rápido.

Al final de su uso, apague el visor con una pulsación prolongada del botón **ENCENDIDO (9)**.

### ⚡ Funciones del menú de acceso rápido

- Entre en el menú "rápido" pulsando brevemente el botón **M (7)**.
- Para ir de una función a otra de las que están descritas abajo, pulse brevemente el botón **M (7)**.
- **Brillo** ☀️ - pulsando los botones **DERECHA (6)** y **IZQUIERDA (8)** cambie el brillo de la pantalla de 0 a 20.
- **Contraste** ◐ - pulsando los botones **DERECHA (6)** y **IZQUIERDA (8)** cambie el contraste de la imagen de 0 a 20.



### ⚡ Funciones del menú principal

- Entre en el menú principal por la pulsación prolongada del botón **M (7)**.
- Para moverse por los puntos del menú principal pulse los botones **DERECHA (6)** y **IZQUIERDA (8)**.
- Para entrar en un subpunto del menú principal pulse brevemente el botón **M (7)**.
- Para salir del subpunto del menú principal pulse y mantenga pulsado el botón **M (7)**.
- La salida automática del menú principal se realiza tras 10 segundos sin actividad.

#### Composición y descripción del menú

- Luminosidad de los pictogramas
- Ajustes de Wi-Fi
- Ajustes generales
- Desconexión automática
- Acerca del dispositivo

#### Contenido del menú



**Luminosidad de los pictogramas** Este punto permite ajustar la luminosidad de los pictogramas en la pantalla del visor acoplable.



- Pulse y mantenga pulsado el botón **M (7)** para entrar en el menú principal.
- Usando los botones **DERECHA (6)** y **IZQUIERDA (8)** elija el punto del menú “**Luminosidad de los pictogramas**”.
- Pulse brevemente el botón **M (7)** para entrar en el submenú.
- Usando los botones **DERECHA (6)** y **IZQUIERDA (8)** elija el nivel de la luminosidad de los pictogramas.
- Para guardar la elección y salir del submenú pulse y mantenga pulsado el botón **M(7)**.

**Ajustes de Wi-Fi** Este punto permite ajustar el visor para la red Wi-Fi.

**Nota:** Wi-Fi se enciende / se apaga manteniendo pulsado el botón **IZQUIERDA (8)**.



**Ajuste de la contraseña** Este submenú permite configurar la contraseña de acceso al visor desde un dispositivo externo. La contraseña se utiliza cuando un dispositivo externo (por ejemplo, un teléfono inteligente) se conecta al visor.

**PAS**

- Pulse y mantenga pulsado el botón **M (7)** para entrar en el menú principal.
- Usando los botones **DERECHA (6)** y **IZQUIERDA (8)** elija el punto del menú “**Ajustes de Wi-Fi**”.
- Pulse brevemente el botón **M (7)** para entrar en el submenú.
- Usando los botones **DERECHA (6)** y **IZQUIERDA (8)** elija el punto del menú “**Ajuste de la contraseña**”.
- Pulse brevemente el botón **M (7)** para entrar en el submenú.
- En la pantalla aparecerá la contraseña – es predeterminada “12345678”.
- Usando los botones **DERECHA (6)** y **IZQUIERDA (8)** establezca la contraseña deseada (el botón **DERECHA** incrementa el valor, el botón **IZQUIERDA** reduce el valor). Para moverse entre los dígitos, pulse el botón **M (7)**.
- Mantenga pulsado el botón **M (7)** para guardar la contraseña y salir del submenú.

**Establecer nivel de acceso** Este submenú le permite configurar el nivel de acceso al visor necesario que recibe la aplicación **Stream Vision**.



**Nivel Propietario.** El usuario tiene pleno acceso a todas las funciones del visor desde la aplicación **Stream Vision**.

**Nivel Invitado.** Desde la aplicación **Stream Vision** el usuario solo puede ver vídeos en tiempo real.

- Pulse y mantenga pulsado el botón **M (7)** para entrar en el menú principal.
- Usando los botones **DERECHA (6)** y **IZQUIERDA (8)** elija el punto del menú “**Ajustes de Wi-Fi**”.
- Pulse brevemente el botón **M (7)** para entrar en el submenú.
- Usando los botones **DERECHA (6)** y **IZQUIERDA (8)** elija el punto del menú “**Establecer nivel de acceso**”.
- Usando los botones **DERECHA (6)** y **IZQUIERDA (8)** elija el nivel de acceso – “**Propietario**” o “**Invitado**”.
- Para confirmar la elección y salir del submenú mantenga pulsado el botón **M (7)**.

**Ajustes generales** Este punto del menú permite establecer los siguientes parámetros:



- Lengua
- Fecha
- Hora
- Ajustes predeterminados
- Formateo

**Lengua** **Elección de la lengua de interfaz.**



- Pulse y mantenga pulsado el botón **M (7)** para entrar en el menú principal.
- Usando los botones **DERECHA (6)** y **IZQUIERDA (8)** elija el submenú “**Ajustes generales**”.
- Pulse brevemente el botón **M (7)** para entrar en el submenú.
- Usando los botones **DERECHA (6)** y **IZQUIERDA (8)** elija el punto del submenú “**Lengua**”.
- Pulse brevemente el botón **M (7)** para entrar en el submenú.
- Usando los botones **DERECHA (6)** y **IZQUIERDA (8)** elija una de las lenguas disponibles de interfaz: inglés, alemán, español, francés, ruso.
- Para guardar la elección y salir del submenú mantenga pulsado el botón **M (7)**.

**Fecha** **Ajuste de la fecha**



- Pulse y mantenga pulsado el botón **M (7)** para entrar en el menú principal.
- Usando los botones **DERECHA (6)** y **IZQUIERDA (8)** elija el submenú “**Ajustes generales**”.
- Pulse brevemente el botón **M (7)** para entrar en el submenú.
- Usando los botones **DERECHA (6)** y **IZQUIERDA (8)** elija el punto del submenú “**Fecha**”.
- Pulse brevemente el botón **M (7)** para entrar en el submenú.
- La fecha se muestra en formato dd / mm / aaaa (12/04/2017)
- Usando los botones **DERECHA (6)** y **IZQUIERDA (8)** elija el valor necesario del día, mes y año. (el botón **DERECHA (6)** incrementa el valor, el botón **IZQUIERDA (8)** reduce el valor) Para moverse entre los dígitos, pulse brevemente el botón **M (7)**.
- Para guardar la fecha elegida y salir del submenú pulsar y mantener pulsado el botón **M (7)**.

**Hora** **Ajuste de la hora**



- Pulse y mantenga pulsado el botón **M (7)** para entrar en el menú principal.
- Usando los botones **DERECHA (6)** y **IZQUIERDA (8)** elija el submenú “**Ajustes generales**”.
- Pulse brevemente el botón **M (7)** para entrar en el submenú.
- Usando los botones **DERECHA (6)** y **IZQUIERDA (8)** elija el punto del submenú “**Hora**”.
- Pulse brevemente el botón **M (7)** para entrar en el submenú.
- Pulsando los botones **DERECHA (6)** y **IZQUIERDA (8)** elija el formato de la hora – 24/12 (o PM/AM).
- Para empezar a ajustar las horas pulse el botón **M (7)**.
- Pulsando los botones **DERECHA (6)** y **IZQUIERDA (8)** elija el valor de las horas (el botón **DERECHA (6)** incrementa el valor, el botón **IZQUIERDA (8)** reduce el valor).
- Para pasar a la configuración de los minutos pulse el botón **M (7)**.
- Pulsando los botones **DERECHA (6)** y **IZQUIERDA (8)** elija el valor de los minutos.
- Para guardar la hora ajustada y salir del submenú mantenga pulsado el botón **M (7)**.



## ⚡ Función Wi-Fi

- El visor acoplable dispone de la opción de conexión inalámbrica con dispositivos móviles (tableta, teléfono inteligente) mediante Wi-Fi.
- Encienda el módulo inalámbrico pulsando prolongadamente el botón **IZQUIERDA (8)**. El funcionamiento de Wi-Fi se muestra en la barra de estado de modo siguiente:

Wi-Fi está desconectado	No hay pictograma
Wi-Fi fue activado por el usuario, se está progresando la conexión al Wi-Fi	
Wi-Fi está encendido, sin conexión con el visor acoplado	
Wi-Fi está encendido, el visor acoplado está conectado	

Su dispositivo es detectado por un dispositivo externo como "Forward F\_XXXX", donde XXXX son los cuatro últimos dígitos del número de serie de su dispositivo.

Al introducir la contraseña en el dispositivo móvil (más detallado sobre la definición de la contraseña véase en el punto **"Ajustes de Wi-Fi"** del capítulo **"Funciones del menú principal"** del manual) y establecerse la conexión, el pictograma en la barra de estado se sustituye por el , la transmisión de la videoseñal en la pantalla del dispositivo móvil empieza tras la activación del botón "visor" en la pantalla del dispositivo móvil. El pictograma en la barra de estado se cambia en .

**Nota:** en el punto de menú **"Establecer nivel de acceso"** se puede establecer el nivel necesario de acceso a su aparato que recibe la aplicación **Stream Vision**.

## ⚡ Función "SumLight™"

- La función **SumLight™** puede aumentar significativamente el nivel de sensibilidad de la matriz CMOS cuando disminuye el nivel de iluminación, lo que hace posible la observación en condiciones de poca luz sin usar el iluminador IR.
- Para activar la función **SumLight™** pulse brevemente el botón **IZQUIERDA (8)**.
- Para desactivar vuelva a pulsar brevemente el botón **IZQUIERDA (8)**.
- El pictograma **SumLight™** (activada **S** o desactivada **S**) se muestra en la barra de estado.

**¡Atención!** Cuando se activa la función **SumLight™** se aumenta el nivel de ruidos en la imagen, se disminuye la frecuencia del cambio de cuadros, la imagen se demora, cuando el visor se mueve de manera brusca la imagen puede ser borrosa, tales efectos no son defectos. En la pantalla del dispositivo pueden verse unos puntos blancos (píxeles), el número de puntos puede aumentar cuando se conecta la función **SumLight™**, esto está vinculado con particularidades de esta función y tampoco es un defecto.

## ⚡ Grabación de vídeo y de fotografía

El visor acoplable tiene la función de grabación de vídeo (toma de fotos) de la imagen observada en la tarjeta de memoria incorporada.

Antes de utilizar la función grabación de vídeo y de fotos estudie los puntos **"Ajuste de la fecha"**, **"Ajuste de la hora"** del capítulo **"Funciones del menú principal"** del presente manual.

**El grabador integrado funciona en dos modos:**

- **FOTO** (fotografía; en la esquina derecha superior de la pantalla se muestra el pictograma ). Si el número estimado de fotos que puede ser guardado en la tarjeta de memoria Flash, supera 100, aparece el mensaje ">100".
- **VÍDEO** (grabación de vídeo; en la esquina derecha superior de la pantalla se muestra el pictograma , el tiempo total de grabación que queda, tomando en consideración la resolución actual en formato MM:SS - minutos : segundos).

Cuando se enciende, el visor se encuentra en modo de Vídeo. Para alternar los modos de funcionamiento del visor acoplable mantenga pulsado el botón **DERECHA (6)**. El cambio de modos es cíclico (Vídeo-> Foto-> Vídeo...).

**Modo FOTO Fotografiando una imagen**

- Cambie al modo Foto manteniendo pulsado el botón **DERECHA (6)**.

- Pulse brevemente el botón **DERECHA (6)** para tomar una fotografía. La imagen se congela por 0,5 segundos.
- El archivo de la foto se guarda en la tarjeta de memoria integrada.

**Modo de Vídeo Grabación de vídeos**

- Cambie al modo Vídeo manteniendo pulsado el botón **DERECHA (6)**.
- Pulse brevemente el botón **DERECHA (6)** para iniciar la grabación de vídeo.
- Al iniciarse la grabación de vídeo, el pictograma desaparece, en su lugar aparece el pictograma REC, asimismo el temporizador de la grabación de vídeo en formato MM:SS (minutos : segundos)\*;

- Para detener la grabación de vídeo mantenga pulsado el botón **DERECHA (6)**.
- Los archivos de vídeo se guardan en la tarjeta de memoria integrada tras detener la grabación de vídeo.

\* El pictograma se muestra durante 2 segundos y luego desaparece. Al pulsar brevemente el botón **DERECHA (6)** el pictograma aparece, el temporizador muestra el tiempo corriente de la grabación de vídeo.

**Notas:**

- Tras detener la grabación de vídeo / tras la toma de fotos; tras apagar el visor acoplable si fue activada la grabación; si la tarjeta de memoria está llena – si durante la grabación de vídeo la tarjeta se llenó totalmente (en la pantalla va a aparecer el mensaje "Memoria llena").
- Durante la grabación de vídeo usted puede entrar y utilizar el menú del visor acoplable;
- Los vídeos grabados y las fotos tomadas se guardan en la tarjeta de memoria integrada en formato img\_xxx.jpg (para fotos); video\_xxx.mp4 (para vídeo). xxx – común de tres dígitos (contador de archivos (para fotos y vídeo));
- El contador usado para los nombres de los archivos multimedia no puede ser reiniciado;
- Si un archivo se elimina del medio de la lista, su número no pasa a otro archivo.
- Cuando el contador está lleno, se crea una nueva carpeta – img\_xxxx. Donde xxxx es el contador de carpetas.
- La duración máxima de un archivo de vídeo grabado es de siete minutos. Después de que se acabe este tiempo, el vídeo se graba en un nuevo archivo. El número de archivos grabados está limitado por la capacidad de la memoria interna del visor;
- Compruebe periódicamente el espacio libre de la memoria interna, pase el material grabado a otros medios de almacenamiento liberando el espacio de la tarjeta de memoria interna;
- En los archivos de vídeo grabados y en las fotografías se muestra la información gráfica (barra de estado, pictogramas, etc.).

## ⚡ Función "Apagar la pantalla" (Display Off)

Cuando se usa esta función el visor acoplable pasa al modo de espera que permite encenderlo rápidamente cuando sea necesario.

**Opciones de funcionamiento con la función "Apagar la pantalla":**

**Opción 1.** El visor está apagado. Es necesario encender el visor y activar la función **"Apagar la pantalla"**.

- Encienda el visor pulsando brevemente el botón **ENCENDIDO (9)**.
- Active la función **"Apagar la pantalla"**: mantenga pulsado el botón **ENCENDIDO (9)**. En la pantalla aparecerá el mensaje "Apagar la pantalla" con una cuenta atrás.
- Suelte el botón **ENCENDIDO (9)**.
- Para desactivar la función **"Apagar la pantalla"** pulse brevemente el botón **ENCENDIDO (9)**.



Apagar la pantalla

**Opción 2.** La función **"Apagar la pantalla"** está activada, hay que apagar el visor acoplable.

- Mantenga pulsado el botón **ENCENDIDO (9)**. En la pantalla aparecerá el mensaje **"Apagar la pantalla"** con una cuenta atrás 3,2,1,0.
- Mantenga pulsado el botón **ENCENDIDO (9)** hasta que el visor se apague (el visor acoplable se apagará cuando se llegue a 0)\*.

\*El visor puede apagarse más tarde si el procesador finaliza el tratamiento de la información para guardar los datos. En tal caso en la pantalla se marca 0 durante la cuenta atrás.

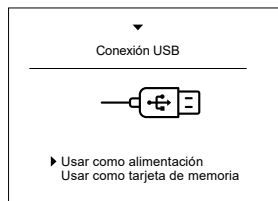
## ⚡ Conexión de USB

- Encienda el visor pulsando el botón **ENCENDIDO (9)** (el ordenador no detecta el dispositivo apagado).
- Conecte un extremo del cable USB al puerto microUSB **(14)** del visor, y el otro extremo al puerto USB de su ordenador.
- El ordenador detectará su dispositivo automáticamente, no hace falta instalar controladores.
- Aparecerán dos modos de conexión en la pantalla: **Tarjeta de memoria (Memory card) (memoria externa)** y **Alimentación (Power)**.
- Usando los botones **DERECHA (6)** y **IZQUIERDA (8)** elija la opción de conexión.
- Pulse brevemente el botón **M (7)** para confirmar la elección.

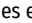
### Opciones de conexión:

#### Tarjeta de memoria (memoria externa).

- En este modo el ordenador detecta el dispositivo como tarjeta Flash. Este modo está destinado para trabajar con los archivos guardados en la memoria del dispositivo, en tal caso las funciones del dispositivo no están disponibles, el dispositivo no se apaga. Una vez desconectado del ordenador, el dispositivo sigue funcionando.
- Si se estaba ejecutando una grabación de vídeo cuando se efectuó la conexión, la grabación se detiene y el vídeo se guarda.



#### Alimentación.

- En este modo el dispositivo utiliza el ordenador como una fuente externa de alimentación. La barra de estado aparece el pictograma . El dispositivo sigue funcionando, todas las funciones están disponibles.
- La pila recargable instalada en el dispositivo no se carga.

#### Desconexión de USB.

- Cuando el dispositivo se desconecta de USB en modo **Tarjeta de memoria**, el dispositivo sigue encendido.
- Cuando el dispositivo se desconecta de USB en modo **Alimentación** el dispositivo sigue funcionando de la pila recargable si ella está suficientemente cargada.

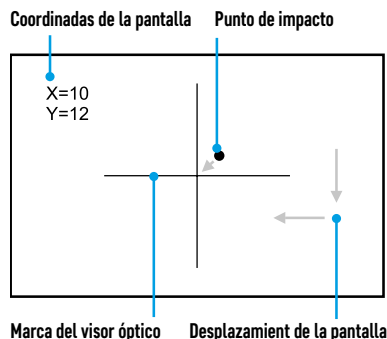
## ⚡ Uso del carril weaver

El visor acoplable está equipado con el carril adicional Weaver **(15)** con cuya ayuda Ud. puede montar algunos accesorios adicionales. Antes hay que desmontar el iluminador IR desmontable (véase el capítulo ["Iluminador IR"](#)).

## ⚡ Calibrado de la pantalla

El visor acoplable está ajustado de tal manera que tras su montaje al visor óptico que debe haber sido ajustado en tiro, no se requiere la corrección del punto de puntería. En caso de haber sido golpeado fuertemente el visor o de haber caído, Ud. puede comprobar el punto de impacto y en caso necesario corregirlo por su propia cuenta sin necesidad de acudir a un centro de asistencia técnica.

- Para entrar en modo de calibrado de la pantalla mantenga pulsado al principio el botón **M (7)** durante 10 segundos.
- Aparecerán las coordenadas de la pantalla  $X=0$ ;  $Y=0$ .
- Usando los botones **IZQUIERDA (8)** y **DERECHA (6)** mueva la pantalla horizontalmente (eje X) y verticalmente (eje Y) de tal manera que el punto de impacto se mueva al centro de la marca de alza de su visor óptico.
- Para alterar entre las coordenadas X y Y pulse brevemente el botón **M (7)**.



- El paso de movimiento de la imagen es de 1 píxel de sensor.
- La escala del desplazamiento de la imagen es de +/- 20 píxeles horizontalmente (eje X), +/- 20 píxeles verticalmente (eje Y).
- Para salir del menú y guardar la configuración mantenga pulsado el botón **M (7)** durante dos segundos.

## ⚡ Stream Vision

Los visores acoplables Forward son compatibles con la tecnología **Stream Vision** que permite transmitir imágenes desde el dispositivo a su teléfono inteligente o a la tableta mediante Wi-Fi en modo de tiempo real.

Encontrará más indicaciones sobre el funcionamiento de **Stream Vision** en un folleto aparte o en nuestro sitio web [www.pulsar-vision.com](http://www.pulsar-vision.com)

**Nota:** el dispositivo está diseñado con la posibilidad de actualizar el soporte lógico. La actualización puede realizarse mediante la aplicación **Stream Vision**.

Para descargar la aplicación **Stream Vision**, escanee los códigos QR:



## ⚡ Inspección técnica

Se recomienda realizar la inspección técnica antes de cada uso del dispositivo.

### Compruebe:

- El exterior del dispositivo (no debe haber grietas en el cuerpo).
- El estado de las lentes del objetivo y del ocular del visor acoplable y del objetivo del iluminador IR (no debe haber grietas, manchas de grasa, polvo y otros sedimentos). Limpie las superficies exteriores de las piezas metálicas y las de plástico de polvo, barro y humedad; límpielas con un paño de algodón.
- El estado de la pila recargable (debería estar cargada) y los contactos eléctricos en la pila (no debe haber sales ni oxidación).
- El funcionamiento correcto de los controles.
- Que el visor acoplable está fijado de forma correcta y segura al visor óptico.

## ⚡ Mantenimiento

El mantenimiento deberá realizarse dos veces al año como mínimo y deberá consistir en cumplimiento de las siguientes medidas:

- Limpie las superficies exteriores de las piezas metálicas y las de plástico de polvo y de barro usando un paño de algodón. Se permite la aplicación de un lubricante de silicona.
- Limpie los contactos eléctricos de la pila recargable y de la ranura de la pila en el dispositivo con un disolvente orgánico sin grasa.
- Compruebe las lentes del ocular y del objetivo. En caso necesario, limpie las lentes del polvo y de la arena (preferiblemente con un método sin contacto). Limpie las superficies externas de la lente con productos especialmente diseñados para este fin.

## ⚡ Almacenamiento

Siempre almacene el visor solo en el estuche, en un local seco, con buena ventilación. Durante un almacenamiento prolongado, obligatoriamente extraiga la pila recargable.

## ⚡ Solución de problemas

Problema	Posible causa	Medida correctora
El visor no se enciende.	La pila está totalmente descargada.	Cargue la pila.
No funciona con una fuente de alimentación externa.	El cable USB está dañado.	Reemplace el cable USB.
	La fuente de alimentación eléctrica externa está descargada.	Cargue la fuente de alimentación eléctrica externa.
El teléfono inteligente o la tableta no se conectan al dispositivo.	Fue cambiada la contraseña del dispositivo.	Elimine la red y vuelva a conectarse introduciendo la contraseña guardada en el dispositivo.
	El dispositivo está en una zona con una gran cantidad de redes Wi-Fi que pueden provocar interferencia.	Para garantizar un funcionamiento estable de Wi-Fi traslade el dispositivo a una zona con menor cantidad de redes Wi-Fi o donde no los haya.
La transmisión de la señal mediante Wi-Fi falta o se interrumpe.	El dispositivo está fuera de la cobertura estable de Wi-Fi. Entre el dispositivo y el receptor de la señal hay obstáculos (paredes de hormigón, por ejemplo).	Traslade el dispositivo a una zona que esté en línea directa con la señal Wi-Fi.
Baja calidad de la imagen.	Dichos problemas pueden surgir debido a complicadas condiciones meteorológicas (nieve, lluvia, niebla, etc.).	
La imagen es demasiado oscura.	Fue instalado un nivel de brillo o contraste demasiado bajo.	Ajuste el brillo/contraste.
En la pantalla aparecieron líneas o la imagen desapareció.	En el proceso de uso el visor estaba expuesto a la electricidad estática.	Si el dispositivo ha sido expuesto a la electricidad estática, el dispositivo puede reiniciarse automáticamente o apague y vuelva a encender el dispositivo.
Cuando hay una imagen precisa de la retícula, se tiene una imagen borrosa del objeto.	Hay polvo o agua condensada en las superficies ópticas exteriores o interiores del objetivo.	Limpie las superficies ópticas exteriores con un paño de algodón suave. Seque, deje permanecer durante 4 horas en un local caliente.
	El objetivo no está enfocado.	Ajuste la definición de la imagen girando el regulador del objetivo.
La pantalla no está ubicada en el centro.	No está ajustada la posición del visor acoplable en el visor diurno.	Retire el adaptador y coloque la posición de la pantalla en el centro del campo visual (véase el capítulo " <b>Funcionamiento</b> ").
El visor no se enfoca.	Ajustes incorrectos.	Ajuste el dispositivo conforme al capítulo " <b>Funcionamiento</b> ". Examine las superficies exteriores de las lentes del objetivo y del ocular; en casos necesarios límpielas de polvo, condensado, escarcha, etc. Cuando hace frío Ud. puede usar diversos recubrimientos antiempañantes especiales (por ejemplo, como para gafas de corrección).

Problema	Posible causa	Medida correctora
El punto de impacto no coincide con el punto de puntería.	Se requiere el calibrado de la pantalla.	Realice el calibrado de la pantalla conforme a lo indicado en el capítulo " <b>Calibrado de la pantalla</b> ".
	El dispositivo no está montado de forma segura en el visor o en el visor del arma.	Compruebe que el dispositivo esté bien montado en el visor y que el visor esté fijado de forma segura en el visor del arma. Asegúrese de utilizar el mismo tipo de cartuchos que Ud. utilizó cuando antes fogueó el arma y el visor. Si Ud. fogueó el visor en verano y lo utiliza en invierno (y viceversa) no se debe descartar algunos cambios del punto cero del fogueo.
Durante el tiro el visor acoplable se desliza del visor.	No hay suficiente fijación del adaptador. No fue elegido el casquillo correcto.	Elija el casquillo correcto y apriete el adaptador conforme a las recomendaciones.
Es imposible abrir la abrazadera del adaptador.	No fue elegido el casquillo correcto.	Elija el casquillo correcto. Compruebe si hay un espacio libre entre los labios del adaptador.

Usando el enlace Ud. puede encontrar respuestas a las preguntas más frecuentes.

<https://www.pulsar-nv.com/glo/support/faq/79>



### Compatibilidad electromagnética

Este producto cumple con la reglamentación de la UE EN 55032:2015, Clase A.

**Advertencia:** el funcionamiento de este equipo en áreas residenciales podría causar radio interferencias.

**¡Atención!** Los dispositivos nocturnos digitales Forward requieren una licencia, si son exportados fuera de su país de usted.



### ¡Participe en la conservación del medio ambiente!

Su electrodoméstico contiene materiales recuperables y/o reciclables.

Entregúelo al final de su vida útil, en un Centro de Recogida Específico o en uno de nuestros Servicios Oficiales Post Venta donde será tratado de forma adecuada.

## Caratteristiche tecniche

MODELLO	FORWARD F455
N° SKU	78186
<b>CARATTERISTICHE OTTICHE</b>	
Fuoco della lente, mm	50
Apertura relativa, D / f'	1:1
Campo visivo (orizzontale), °	6,3
Campo visivo (orizzontale) a 100 m, m	11
Distanza di osservazione massima di un animale di altezza 1,7 m, m	500
Distanza di messa a fuoco minima, m	5
Intervallo di rapporto consigliato del cannocchiale diurno, volte	2-8
<b>COMPONENTI ELETTRONICI</b>	
Tipo e risoluzione di sensore	CMOS HD1280X720
Tipo e risoluzione di display	AMOLED 1746x1000
Sensibilità del dispositivo, mW (lunghezza d'onda 780 nm, risoluzione 25 pezzi/mm)	1,5 × 10 <sup>-5</sup>
Sensibilità del dispositivo, mW (lunghezza d'onda 915 nm, risoluzione 25 pezzi / mm)	5,5 × 10 <sup>-5</sup>
<b>ILLUMINATORE IR RIMOVIBILE</b>	
Tipo / lunghezza d'onda, nm	LED 940
<b>CARATTERISTICHE OPERATIVE</b>	
Tensione di alimentazione, V	3,0 - 4,2
Tipo di batteria / Capacità / Tensione d'uscita nominale	Batteria agli ioni di litio IPS7 / 6400 mAh / 3,7 V C.C.
Alimentazione esterna	Micro USB Type-B (5V)
La durata della batteria a t = 22 ° C, ora (Wi-Fi disattivato, IR disattivato)	9
Resistenza all'impatto massimale su fucile, joule	6000
Resistenza all'impatto massimale su arma ad anima liscia, calibro	12
Grado di protezione, Codice IP (IEC60529)	IPX7
Temperatura di esercizio, °C	-25 ÷ +50
Dimensioni, mm	155x136x77
Peso, kg	0,83
<b>VIDEOREGISTRATORE</b>	
Risoluzione video/foto, pixel	1280x720
Formato registrazione video/foto	.mp4 / .jpg
Memoria interna	16 GB
<b>CANALE WI-FI</b>	
Frequenza	2,4 GHz
Standard	802,11 b /g/n

Per migliorare le proprietà di consumo del prodotto nella sua costruzione possono essere apportati dei perfezionamenti.

La versione attuale dell'istruzione per l'esercizio è disponibile sul sito [www.pulsar-vision.com](http://www.pulsar-vision.com)

## ⚡ Composizione della fornitura

- Visore notturno digitale clip-on
- Fodera
- Batteria ricaricabile
- Caricabatteria
- Scheda di rete
- Cavo MicroUSB
- Istruzione per l'esercizio dispensa
- Panno per pulitura ottica
- Tagliando di garanzia

## ⚡ Descrizione

Il visore notturno digitale clip-on **Forward F455** è un dispositivo versatile che consente di trasformare in modo rapido e facile un cannocchiale diurno in quello notturno. Il visore clip-on viene montato sulla lente del cannocchiale con adattatori progettati per i diametri dell'obiettivo diversi. Il visore clip-on non richiede un tiro d'aggiustamento aggiuntivo. Il visore clip-on è progettato per varie applicazioni, tra cui la caccia, il tiro a segno, la fotografia e le riprese video notturne, l'osservazione.

## ⚡ Proprietà

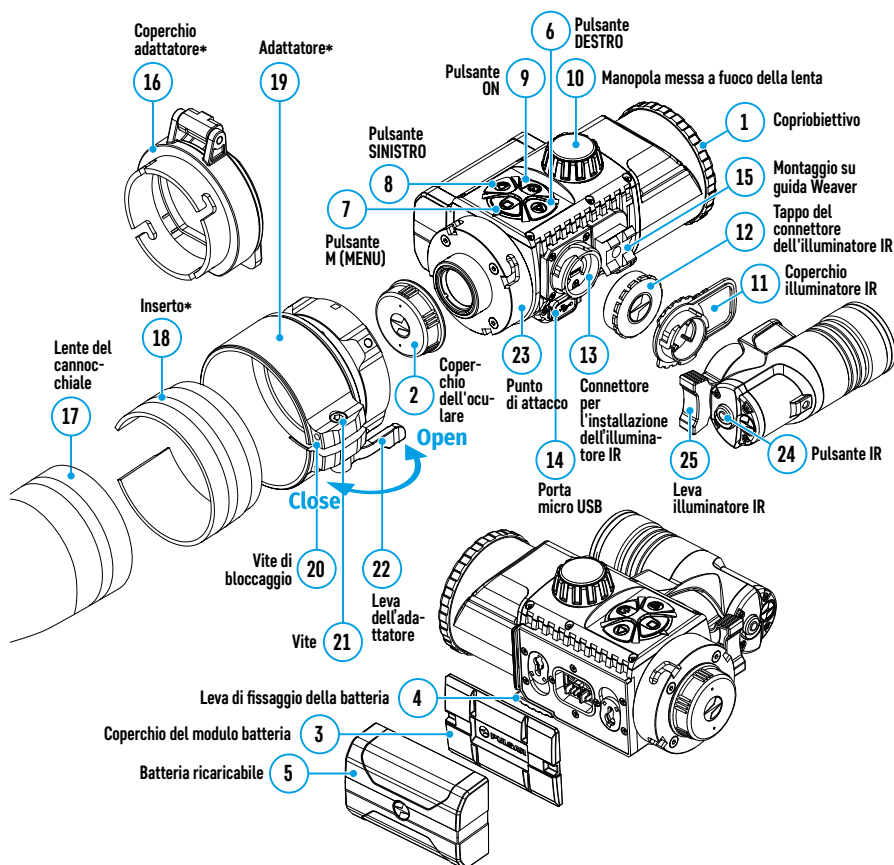
### Caratteristiche principali:

- Sensore HD 1280x720
- Maggiorata sensibilità notturna
- Trasformazione semplice del cannocchiale diurno in quello notturno
- Conservazione dei vantaggi dell'ottica diurna durante la notte
- Stabilità del punto di mira
- Uso conveniente in una vasta gamma d'ingrandimento delle ottiche diurne
- Illuminatore IR di lunga portata invisibile
- Funzione di aumento supplementare della sensibilità **SumLight™**
- Distanza di localizzazione fino a 500 m
- Avviamento istantaneo
- Registrazione video incorporata
- Alimentazione a batterie di accumulatori ad alta capacità del sistema B-Pack rapidamente ricaricabili
- Sistema di montaggio a quattro punti con morsetto automatico
- Compatibilità con adattatori di altri produttori
- Resistenza all'impatto su grandi calibri: 12 calibro, 9.3x64, .375H&HH
- Wi-Fi. Integrazione con dispositivi IOS e Android
- **Stream Vision.** Controllo remoto, sorveglianza e streaming YouTube live tramite smartphone
- Aggiornamento software remoto
- Impermeabilità completa (IPX7)
- Ampia gamma di temperature d'esercizio (-25 ÷ + 50 ° C)
- MicroUSB. Sostegno alimentazione Power Bank



## ⚡ Unità e comandi

- Copriobiettivo
- Coperchio dell'oculare
- Coperchio del modulo batteria
- Leva di fissaggio della batteria
- Batteria ricaricabile
- Pulsante **DESTRO**
- Pulsante **M (MENU)**
- Pulsante **SINISTRO**
- Pulsante **ON**
- Manopola messa a fuoco della lente
- Coperchio illuminatore IR
- Tappo del connettore dell'illuminatore IR
- Connettore per l'installazione dell'illuminatore IR
- Porta microUSB
- Montaggio su guida Weaver
- Coperchio adattatore\*
- Lente del cannocchiale
- Inserto\*
- Adattatore\*
- Vite di bloccaggio
- Vite
- Leva dell'adattatore
- Punto di attacco
- Pulsante **IR**
- Leva illuminatore IR



\*Elementi dell'adattatore FN (viene venduto separatamente)

## ⚡ Funzionamento dei pulsanti

Pulsante	Modo di funzionamento	Prima breve pressione	Successive brevi pressioni	Lunga pressione
<b>ON (9)</b>	Dispositivo è spento	Accensione del dispositivo	—	Accensione del dispositivo
	Display è spento	Accensione del display	—	Spegnimento del dispositivo
	Il dispositivo è acceso, menu di accesso rapido, menu principale	—	—	Spegnimento del display / Spegnimento del dispositivo
<b>SINISTRO (8)</b>	Dispositivo è acceso	Accensione <b>SumLight™</b>	Spegnimento <b>SumLight™</b>	Attivazione WiFi / Disattivazione WiFi
	Navigazione nel menu	Navigazione in alto, a sinistra, in senso antiorario		
	Menu di accesso rapido	Riduzione del parametro		
<b>MENU (7)</b>	Dispositivo è acceso	Accesso al menu di accesso rapido		Accesso al menu principale
	Navigazione sul menu	Conferma della scelta		Uscita dal sottomenu senza la conferma della scelta / uscita dal menu (passaggio al modo di osservazione)
	Menu di accesso rapido	Navigazione in alto		Uscita dal menu di accesso rapido
<b>DESTRO (6)</b>	Dispositivo è acceso (modo "Video")	Start registrazione video	—	Spegnimento registrazione video / Passaggio al modo "Foto"
	Dispositivo è acceso (modo "Foto")	Scattare una foto	—	Passaggio al modo "Video"
	Navigazione sul menu	Verso il basso / A Destra / In senso orario		
	Menu di accesso rapido	Aumento del parametro		
<b>IR (24)</b>	Il dispositivo è acceso, menu di accesso rapido, menu principale	Accensione IR	Cambio di potenza IR	Spegnimento IR

## ⚡ Particolarità di funzionamento

Il visore clip-on **Forward F455** è progettato per l'uso prolungato. Per assicurare la durata di servizio e funzionalità completa del prodotto, seguite queste istruzioni:

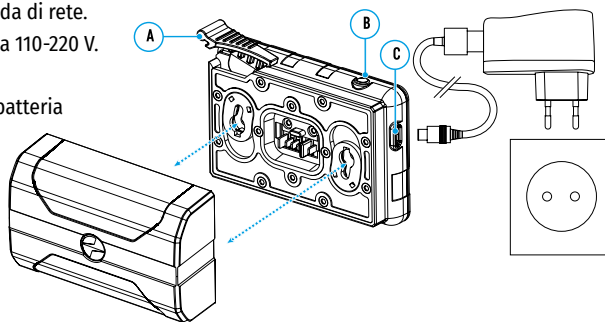
- Prima di utilizzare il visore clip-on, assicuratevi di installarlo seguendo le istruzioni nella sezione **"Installazione del visore clip-on sul cannocchiale"**.
- Spegnere il visore clip-on dopo l'uso.
- È vietato riparare e smontare di propria iniziativa il dispositivo di garanzia!
- Il visore clip-on può essere utilizzato in un'ampia gamma di temperature. Se il visore clip-on è stato utilizzato a freddo ed è stato portato in un ambiente caldo, non tirarlo fuori dal coperchio per 2-3 ore. Questo impedirà la formazione del condensato sugli elementi ottici esterni.
- Per assicurare il funzionamento sicuro, prevenire ed eliminare le cause dell'usura precoce o guasti della componentistica, eseguire tempestivamente l'ispezione tecnica e manutenzione del visore clip-on.
- La batteria non deve essere esposta al surriscaldamento eccessivo dai raggi solari, fuoco o altre sorgenti di calore.

## ⚡ Uso della batteria

Il visore clip-on **Forward F455** viene fornita con la batteria agli ioni di litio ricaricabile IPS7, che consente di utilizzare il visore clip-on per 9 ore. Caricare completamente la batteria prima del primo utilizzo.

### Carica della batteria:

- Collegare la spina microUSB del cavo USB al connettore **(C)** della caricabatteria.
- Collegare la spina del cavo USB alla scheda di rete.
- Collegare la scheda di rete ad una presa a 110-220 V.
- Sollevare la leva della caricabatteria **(A)**.
- Rimuovere la copertura protettiva dalla batteria ricaricabile.
- Installare la batteria ricaricabile nel caricabatteria come mostrato nella figura, fissare la leva **(A)**.
- Quando il visore clip-on è installato sulla caricabatteria, l'indicatore verde **(B)** si illumina e lampeggia brevemente ad un certo intervallo:
  - una volta, se la carica della batteria è compresa tra 0 e 50%;
  - due volte, se la carica della batteria è compresa tra il 51 e 75%;
  - tre volte, se la carica della batteria è compresa tra 76 e 100%.
- Se l'indicatore è costantemente verde, la batteria è completamente carica. Scollegare la caricabatteria dalla rete, scollegare la batteria dalla caricabatteria.
- Se l'indicatore della caricabatteria è costantemente rosso quando la batteria viene inserita, è probabile che lo stato di carica sia al di sotto del valore ammesso. Lasciare la batteria nella caricabatteria per il lungo periodo di tempo (fino a qualche ora), poi rimuoverla e reinserirla.
- Se l'indicatore lampeggia in verde, la batteria è pronta all'uso;
- Se l'indicatore continua a mandare la luce rossa, la batteria è difettosa e non può essere utilizzata. Sostituire la batteria.



**Attenzione!** Per la ricarica, utilizzare sempre la caricabatteria fornita con il visore clip-on o la caricabatteria Pulsar IPS (viene venduta separatamente). L'uso delle altre caricabatterie può causare dei danni irreparabili alla batteria.

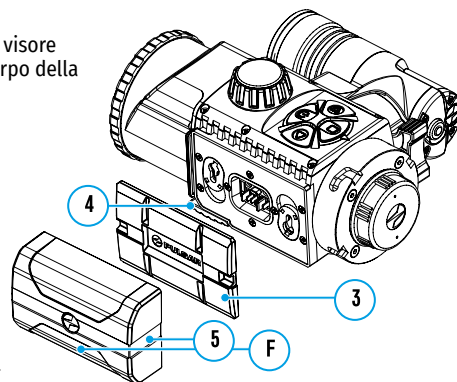
### Installazione della batteria:

- Abbassare la leva **(4)**.
- Rimuovere il coperchio protettivo del modulo batteria **(3)**.
- Rimuovere la copertura protettiva dalla batteria **(5)**.
- Installare la batteria **(5)** nello slot previsto sul corpo del visore clip-on in modo che l'elemento **F** (sporgenza) sul corpo della batteria si trovi sul fondo.
- Fissare la batteria sollevando la leva **(4)**.

**Attenzione!** Il dispositivo può essere alimentato da una sorgente di alimentazione esterna come Power Bank (5V). Per collegare una sorgente di alimentazione esterna al dispositivo, collegare il cavo USB alla porta microUSB **(14)** del dispositivo. Per approfondire, vedere la sezione 8, Alimentazione esterna

### Precauzioni:

- Non utilizzare la caricabatteria se la sua costruzione è stata modificata o la batteria stessa è stata danneggiata.



- Durante la ricarica, non lasciare la batteria incustodita.
- Non lasciare la caricabatteria con la batteria collegata alla rete oltre 24 ore dopo averla completamente caricata.
- La batteria deve essere caricata ad una temperatura dell'aria di 0 °C ÷ +45 °C. In caso contrario, è possibile ridurre la durata di funzionamento della batteria.
- Non caricare la batteria immediatamente dopo averla spostata dall'ambiente freddo a quello caldo. Attendere 30 - 40 minuti fino la batteria si riscalderà bene.
- Non esporre la batteria alle temperature elevate o fiamma libera.
- La batteria non è intesa per essere immersa in acqua.
- Si sconsiglia di collegare dispositivi di terze parti aventi il consumo di corrente superiore a quello ammesso.
- La batteria è dotata del sistema di protezione dal cortocircuito, tuttavia è necessario evitare delle situazioni che possano causare il cortocircuito.
- Non smontare e non deformare la batteria.
- Non sottoporre la batteria ad impatti e cadute.
- Durante la conservazione a lungo termine, la batteria deve essere caricata o scaricata completamente.
- Tenere la batteria fuori dalla portata dei bambini.

## ⚡ Alimentazione esterna

L'alimentazione esterna viene fornita da una sorgente di alimentazione esterna del tipo Power Bank (5V).

- Collegare la sorgente di alimentazione esterna al connettore USB **(14)** del visore clip-on.
- Il visore clip-on passerà al funzionamento da alimentazione esterna, mentre la batteria IPS7 verrà caricata gradualmente.
- Sul display appare il pittogramma della batteria con il percentuale dello stato di carica.
- Se il dispositivo è collegato da un computer, scheda di rete o power bank che non è conforme allo standard Battery Charger (BC 1.0), la carica della batteria IPS7 non inizierà e verrà visualizzata solo il pittogramma di alimentazione esterna .
- Se il visore clip-on è alimentato da una sorgente di alimentazione esterna, ma la batteria IPS7 non è collegata, viene visualizzata il pittogramma .
- Quando si scollega una sorgente di alimentazione esterna, il visore clip-on inizierà a funzionare a batteria.

## ⚡ Funzionamento

### Installazione del visore clip-on sul cannocchiale

- Selezionare l'adattatore\* con un inserto del diametro richiesto in base al diametro esterno del Vostro cannocchiale (vedere la tabella).
- La designazione 42 mm / 50 mm / 56 mm nel nome dell'adattatore indica l'apertura luminosa della lente del cannocchiale.
- Rimuovere il coperchio **(16)** dall'adattatore **(19)** ruotandolo in senso orario.
- Prima di installare il visore clip-on si consiglia di sgrassare il corpo della lente del cannocchiale.
- Installare l'inserto **(18)** nell'adattatore **(19)** finché non si arresta.
- Installare l'adattatore con l'inserto sulla lente per il cannocchiale diurno finché non si arresta **(17)**.
- Spostare la leva **(22)** dalla posizione iniziale "aperto" **(OPEN)** alla posizione "chiuso" **(CLOSE)**.
- Controlla se l'adattatore combacia all'obiettivo.
- Se c'è qualche gioco, procedere quanto segue:
  - Allentare la vite di bloccaggio **(20)** con una chiave a brugola (S = 2 mm).

- Stringere la vite (21) con una chiave a brugola (S = 4 mm) con la forza necessaria per assicurare un accoppiamento di spinta dell'adattatore sulla lente. Lo sforzo di serraggio deve essere 1 N·m.

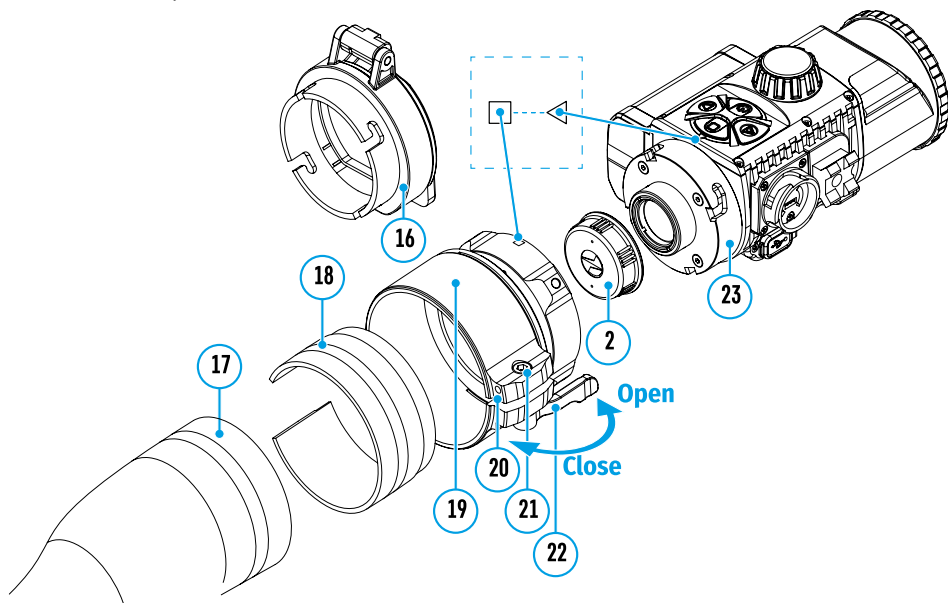
- Stringere la vite di bloccaggio (20).

• Lo sforzo può essere verificato con un cacciavite dinamometrico.

• Inserire strettamente il visore clip-on nell'adattatore in modo che i perni situati nel corpo dell'adattatore entrino nelle scanalature (23) del visore clip-on. Girare il visore clip-on in senso orario finché non si arresta. La marcatura nella forma di un triangolo sul visore clip-on e marcatura nella forma di un quadrato sul corpo dell'adattatore devono coincidere.

• Per allineare il visore clip-on, spostare la leva (22) nella posizione **APERTO (OPEN)** e allinearla in senso orizzontale.

\* Viene venduto separatamente.



La tabella di selezione degli inserti per i cannocchiali diurni

Modello dell'adattatore ad anello	Conformità del diametro interno dell'inserto e diametro esterno del corpo della lente del dispositivo ottico diurno (visore, cannocchiale)	
	Il diametro interno dell'inserto, mm	Diametro esterno della lente del cannocchiale, mm
Adattatore ad anello FN 42 mm	47	46,7-47,6
	48	47,7-48,6
	49	48,7-49,6
	50	49,7-50,6
Adattatore ad anello FN 50 mm	55	54,7-55,6
	56	55,7-56,6
	57	56,7-57,6
	58	57,7-58,6
	59	58,7-59,6

Modello dell'adattatore ad anello	Conformità del diametro interno dell'inserto e diametro esterno del corpo della lente del dispositivo ottico diurno (visore, cannocchiale)	
	Il diametro interno dell'inserto, mm	Diametro esterno della lente del cannocchiale, mm
Adattatore ad anello FN 56 mm	60	59,7-60,6
	61	60,7-61,6
	62	61,7-62,6
	63	62,7-63,6
	64	63,7-64,6
	65	64,7-65,6

#### Attivazione e regolazione dell'immagine

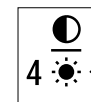
- Rimuovere il coperchio della lente (1), ruotandolo in senso antiorario.
- Premere brevemente il pulsante **ON (9)** per accendere il visore clip-on: un'immagine apparirà sul display.
- Regolare l'immagine nitida dei simboli sul display ruotando l'anello di regolazione diottrica dell'oculare del Vostro cannocchiale. In seguito, indipendentemente dalla distanza e dalle altre condizioni, non è necessario ruotare l'anello di regolazione diottrica dell'oculare.
- Per mettere a fuoco l'oggetto di osservazione, ruotare la manopola di messa a fuoco della lente (10).

Le impostazioni di base (regolazione della luminosità e del contrasto) vengono modificate tramite il menu di accesso rapido.

Dopo l'uso, spegnere il visore clip-on premendo a lungo il pulsante **ON (9)**.

#### ⚡ Funzioni del menu di accesso rapido

- Accedere al menu di accesso rapido premendo brevemente il pulsante **M (7)**.
- Per navigare tra le funzioni sottodescritte, premere brevemente il pulsante **M (7)**.
- **Luminosità** ☀️ - premere i pulsanti **DESTRO (6)** e **SINISTRO (8)** per modificare il valore di luminosità del display da 0 a 20.
- **Contrasto** ● - premere i pulsanti **DESTRO (6)** e **SINISTRO (8)** per modificare il valore del contrasto dell'immagine da 0 a 20.



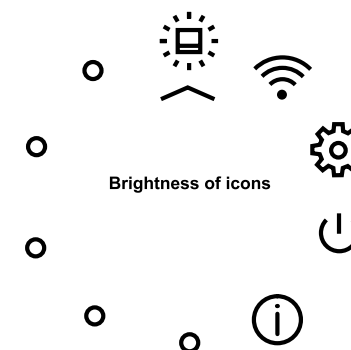
#### ⚡ Funzioni del menu principale

- Accedere al menu principale premendo a lungo il pulsante **M (7)**.
- Per navigare tra le voci del menu principale, premere i pulsanti **DESTRO (6)** e **SINISTRO (8)**.
- Per accedere alla sottovoce del menu principale, premere brevemente il pulsante **M (7)**.
- Per uscire dalla sottovoce del menu principale, premere e tenere premuto il pulsante **M (7)**.
- L'uscita automatica dal menu principale avviene dopo 10 secondi di inattività.

#### La composizione e descrizione del menu

- Luminosità dei pittogrammi
- Impostazioni Wi-Fi
- Impostazioni generali
- Spegnimento automatico
- Informazioni sul dispositivo

#### Vista d'insieme del menu:



**Luminosità dei pittogrammi** Questa voce di menu consente di regolare la luminosità dei pittogrammi sul display del visore clip-on.

- Premere e tenere premuto il pulsante **M (7)** per accedere al menu principale.
- Utilizzare i pulsanti **DESTRO (6)** e **SINISTRO (8)** per selezionare la voce di menu “Luminosità pittogrammi”.
- Premere brevemente il pulsante **M (7)** per accedere al sottomenu.
- Utilizzare i pulsanti **DESTRO (6)** e **SINISTRO (8)** per selezionare il livello di luminosità dei pittogrammi.
- Per salvare la scelta e uscire dal sottomenu, premere e tenere premuto il pulsante **M (7)**.

**Impostazioni Wi-Fi** Questo voce consente di regolare il visore clip-on per il funzionamento nella rete Wi-Fi.

**Nota:** il Wi-Fi viene attivato / disattivato premendo a lungo il pulsante **SINISTRO (8)**.

**Impostazione della password** Questo sottomenu consente di impostare la password di accesso al visore clip-on da un dispositivo esterno. La password viene utilizzata quando un dispositivo esterno (ad esempio uno smartphone) viene collegato al visore clip-on.

- Premere e tenere premuto il pulsante **M (7)** per accedere al menu principale.
- Usare i pulsanti **DESTRO (6)** e **SINISTRO (8)** per selezionare la voce di menu “Impostazioni Wi-Fi”.
- Premere brevemente il pulsante **M (7)** per accedere al sottomenu.
- Usare i pulsanti **DESTRO (6)** e **SINISTRO (8)** per selezionare la voce del sottomenu “Impostazione password”.
- Premere brevemente il pulsante **M (7)** per accedere al sottomenu.
- La password apparirà sul display – il valore predefinito è 12345678.
- Utilizzare i pulsanti **RIGHT (6)** e **LEFT (8)** per impostare la password desiderata (il pulsante **RIGHT** - per aumentare il valore, il pulsante **LEFT** - per diminuire il valore). Per spostarsi tra i posti, premere il pulsante **M (7)**.
- Per salvare la password e uscire dal sottomenu, tenere premuto il pulsante **M (7)**.

**Impostazione del livello di accesso** Questa sottovoce consente di impostare il livello di accesso necessario al Vostro dispositivo, che riceve l'applicazione **Stream Vision**.

**Livello Padrone.** L'utente di **Stream Vision** ha il pieno accesso a tutte le funzioni del dispositivo.

**Livello Ospite.** L'utente di **Stream Vision** ha la possibilità di visionare solo i video dal dispositivo in tempo reale.

- Premere e tenere premuto il pulsante **M (7)** per accedere al menu principale.
- Usare i pulsanti **DESTRO (6)** e **SINISTRO (8)** per selezionare la voce di menu “Impostazioni Wi-Fi”.
- Premere brevemente il pulsante **M (7)** per accedere al sottomenu.
- Usare i pulsanti **DESTRO (6)** e **SINISTRO (8)** per selezionare il sottomenu “Impostazione del livello di accesso”.
- Usare i pulsanti **DESTRO (6)** e **SINISTRO (8)** per selezionare il livello di accesso - “Padrone” o “Ospite”.
- Per confermare la scelta e uscire dal sottomenu, premere e tenere premuto il pulsante **M (7)**.

**Impostazioni generali** La voce di menu consente di effettuare le seguenti impostazioni:

- Lingua
- Data
- Tempo
- Formattazione
- Impostazioni predefinite

**Lingua** **Selezione della lingua dell'interfaccia.**

- Premere e tenere premuto il pulsante **M (7)** per accedere al menu principale.
- Usare i pulsanti **DESTRO (6)** e **SINISTRO (8)** per selezionare il sottomenu “Impostazioni generali”.
- Premere brevemente il pulsante **M (7)** per accedere al sottomenu.
- Usare i pulsanti **DESTRO (6)** e **SINISTRO (8)** per selezionare la voce del sottomenu “Lingua”.
- Premere brevemente il pulsante **M (7)** per accedere al sottomenu.
- Usare i pulsanti **DESTRO (6)** e **SINISTRO (8)** per selezionare una delle lingue dell'interfaccia disponibili: inglese, tedesco, spagnolo, francese, russo, italiano.
- Per salvare la selezione e uscire dal sottomenu, premere e tenere premuto il pulsante **M (7)**.

**Data** **Impostazione della data**

- Premere e tenere premuto il pulsante **M (7)** per accedere al menu principale.
- Usare i pulsanti **DESTRO (6)** e **SINISTRO (8)** per selezionare il sottomenu “Impostazioni generali”.
- Premere brevemente il pulsante **M (7)** per accedere al sottomenu.
- Usare i pulsanti **DESTRO (6)** e **SINISTRO (8)** per selezionare la voce del sottomenu “Data”.
- Premere brevemente il pulsante **M (7)** per accedere al sottomenu.
- La data viene visualizzata in formato gg / mm / aaaa (12/04/2017)
- Usare i pulsanti **DESTRO (6)** e **SINISTRO (8)** per selezionare il giorno, mese ed anno desiderati. (Tasto **DESTRO (6)** - per aumentare il valore, pulsante **SINISTRO (8)** - per diminuire il valore). Per spostarsi tra i posti, premere brevemente il pulsante **M (7)**.
- Per salvare la data selezionata e uscire dal sottomenu, tenere premuto il pulsante **M (7)**.

**Tempo** **Impostazione del tempo**

- Premere e tenere premuto il pulsante **M (7)** per accedere al menu principale.
- Usare i pulsanti **DESTRO (6)** e **SINISTRO (8)** per selezionare il sottomenu “Impostazioni generali”.
- Premere brevemente il pulsante **M (7)** per accedere al sottomenu.
- Usare i pulsanti **DESTRO (6)** e **SINISTRO (8)** per selezionare la voce del sottomenu “Tempo”.
- Premere brevemente il pulsante **M (7)** per accedere al sottomenu.
- Premere i pulsanti **DESTRO (6)** e **SINISTRO (8)** per selezionare il formato del tempo – 24/12 (o PM/AM).
- Per passare all'impostazione dell'ora, premere il pulsante **M (7)**.
- Premere i pulsanti **DESTRO (6)** e **SINISTRO (8)** per selezionare il valore dell'ora (pulsante **DESTRO (6)** - per aumentare il valore, pulsante **SINISTRO (8)** - per diminuire il valore)
- Per passare all'impostazione dei minuti, premere il pulsante **M (7)**.
- Premere i tasti **DESTRO (6)** e **SINISTRO (8)** per selezionare il valore dei minuti.
- Per salvare il tempo selezionato e uscire dal sottomenu, tenere premuto il pulsante **M (7)**.

## Impostazioni generali



### Ritorno alle impostazioni predefinite



- Premere e tenere premuto il pulsante **M (7)** per accedere al menu principale.
- Usare i pulsanti **DESTRO (6)** e **SINISTRO (8)** per selezionare il sottomenu "Impostazioni generali".
- Premere brevemente il pulsante **M (7)** per accedere al sottomenu.
- Utilizzare i pulsanti **DESTRO (6)** e **SINISTRO (8)** per selezionare la voce di sottomenu "Impostazioni predefinite".
- Premere brevemente il pulsante **M (7)** per accedere al sottomenu.
- Usare i pulsanti **DESTRO (6)** e **SINISTRO (8)** per selezionare "Sì" per tornare alle impostazioni di fabbrica o "No" per annullare l'azione.
- Confermare la scelta premendo brevemente il pulsante **M (7)**.

Le impostazioni seguenti verranno riportate al loro stato originale prima di essere modificate dall'utente:

<b>Livello di luminosità</b> - 10	<b>Lingua</b> - inglese	<b>Spegnimento automatico</b> - disattivato
<b>Livello di contrasto</b> - 8	<b>Wi-Fi</b> - Disattivato (password predefinita)	

### Formattazione



La formattazione della scheda di memoria interna elimina irrimediabilmente tutti i file registrati.

**Attenzione!** Assicuratevi di non aver più bisogno dei file da eliminare o fate una copia di backup su altro supporto.

- Premere e tenere premuto il pulsante **M (7)** per accedere al menu principale.
- Usare i pulsanti **DESTRO (6)** e **SINISTRO (8)** per selezionare il sottomenu "Impostazioni generali".
- Premere brevemente il pulsante **M (7)** per accedere al sottomenu.
- Usare i pulsanti **DESTRO (6)** e **SINISTRO (8)** per selezionare la voce del sottomenu "Formattazione".
- Premere brevemente il pulsante **M (7)** per accedere al sottomenu.
- Usare i pulsanti **DESTRO (6)** e **SINISTRO (8)** per selezionare "Sì" per effettuare la formattazione o "No" per annullare l'azione.
- Confermare la scelta premendo brevemente il pulsante **M (7)**.

## Spegnimento automatico



Questa voce consente di attivare lo spegnimento automatico del visore clip-on dopo un certo periodo di tempo durante il quale il visore stava inclinato orizzontalmente o verticalmente oltre di 70 °; a destra o sinistra oltre di 30 °. Allo stesso tempo gli elementi di comando del visore clip-on non devono essere coinvolti.

- Premere e tenere premuto il pulsante **M (7)** per accedere al menu principale.
- Usare i pulsanti **DESTRO (6)** e **SINISTRO (8)** per selezionare la voce di menu "Spegnimento automatico".
- Premere brevemente il pulsante **M (7)** per accedere al sottomenu.
- Usare i pulsanti **DESTRO (6)** e **SINISTRO (8)** per selezionare il periodo di tempo durante il quale il visore si spegnerà automaticamente (1 min, 3 min, 5 min) o selezionare "Off" se desiderate disattivare la funzione del spegnimento automatico.
- Confermare la scelta premendo brevemente il pulsante **M (7)**.

**Nota:** il pittogramma dello stato della funzione "Spegnimento automatico" viene visualizzata nella barra di stato ☺ 1 min.

## Informazioni sul visore clip-on



- Premere e tenere premuto il pulsante **M (7)** per accedere al menu principale.
- Usare i pulsanti **DESTRO (6)** e **SINISTRO (8)** per selezionare la voce di menu "Informazioni sul visore".
- Premere brevemente il pulsante **M (7)** per accedere al sottomenu.

Le seguenti informazioni sul visore sono disponibili per l'utente:

<b>nome visore clip-on completo</b>	<b>numero di serie del visore clip-on</b>	<b>versione dell'assemblaggio del visore clip-on</b>
<b>numero visore clip-on SKU</b>	<b>versione del software del visore clip-on</b>	<b>informazioni di servizio</b>

## Barra di stato



La barra di stato si trova nella parte inferiore del display e visualizza le informazioni sullo stato corrente del visore clip-on, tra cui:

- Funzione **SumLight™**
- Spegnimento automatico ☺ 1 min (se la funzione è attivata)
- Il funzionamento dell'illuminatore IR (ad esempio, 3 ° grado)
- Connessione Wi-Fi
- Orologio
- Livello di carica della batteria (se il visore clip-on viene alimentato da una batteria) o
- Indicatore di alimentazione —■= da una sorgente di alimentazione esterna (se il visore clip-on è alimentato da una sorgente di alimentazione esterna) o
- Indicatore di carica della batteria con la percentuale di carica corrente (se la batteria è installata e viene caricata da una sorgente di alimentazione esterna)

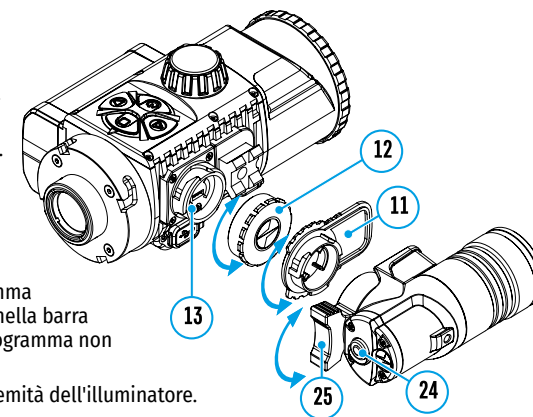
**Nota:** quando si aumentano gli ingrandimenti dell'ottica diurna su cui è montato il visore "la barra di stato può" può andare parzialmente o completamente oltre i limiti dell'immagine visibile.

## Illuminatore IR

Il visore clip-on è dotato dell'illuminatore IR rimovibile che funziona alla lunghezza d'onda di 940 nm, che consente di aumentare la distanza di osservazione in condizioni di scarsa illuminazione o in buio assoluto. Invece dell'illuminatore IR incluso, è possibile installare altri illuminatori IR Pulsar (vengono venduti separatamente).




- Rimuovere il tappo **(12)** dal connettore per l'installazione dell'illuminatore IR **(13)**.
- Rimuovere il coperchio **(11)** dall'illuminatore IR.
- Installare l'illuminatore IR sul dispositivo. La leva **(25)** deve essere nella posizione superiore.
- Bloccare l'illuminatore IR abbassando la leva **(25)** verso il basso.
- Per attivare l'illuminatore IR: accendere il dispositivo con il pulsante **ON (9)**.
- Se l'illuminatore IR non è collegato, il pittogramma dell'illuminatore disattivato verrà visualizzato nella barra di stato. Se l'illuminatore IR è collegato, il pittogramma non viene visualizzato.
- Premere brevemente il pulsante **IR (24)** all'estremità dell'illuminatore. Livello di potenza all'accensione è minimo **IR ·**.
- Il pittogramma dell'illuminatore IR con il livello di potenza appropriato viene visualizzato nella barra di stato.
- Premendo brevemente il pulsante **IR (24)**, commutate a sequenza il livello di potenza dell'illuminatore (**IR · > IR · > IR · > IR ·**).
- Spegnerne l'illuminatore IR premendo a lungo il pulsante **IR (24)**.
- Il pittogramma IR scompare dal display.

**Nota:** Quando l'illuminatore IR viene spento, il livello di potenza non viene ricordato nella memoria del visore clip-on. Quando il visore clip-on viene acceso, l'illuminatore si accende al livello minimo di potenza - IR1.

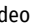
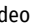
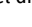


## ⚡ Funzione Wi-Fi

- Il visore clip-on ha la funzione di comunicazione wireless con dispositivi mobili (tablet, smartphone) tramite il Wi-Fi.
- Accendere il modulo wireless premendo a lungo il pulsante **SINISTRO (8)**. Il funzionamento del Wi-Fi viene visualizzato nella barra di stato come segue:


Wi-Fi è disattivato	Nessun pittogramma
Wi-Fi è attivato dall'utente, il processo di accensione del Wi-Fi nel visore clip-on è in corso	
Wi-Fi è attivato, la connessione al visore clip-on è assente	
Wi-Fi è attivo, la connessione con il visore clip-on è stabilita	

Il visore clip-on è riconosciuto dal dispositivo mobile come "Forward F\_XXXX", dove XXXX sono le ultime quattro cifre del numero di serie.

Dopo aver inserito la password sul dispositivo mobile (per ulteriori informazioni sull'impostazione della password, vedere la sottovoce "**Impostazioni Wi-Fi**" nella voce "**Funzioni del menu principale**" dell'istruzione) e stabilire la connessione, il pittogramma  nella barra di stato cambia in , il segnale video sullo schermo del dispositivo mobile si avvia dopo che il pulsante "Mirino" è stato attivato sullo schermo del dispositivo mobile. Il pittogramma nella barra di stato cambia in .

**Nota:** è possibile impostare il livello di accesso richiesto al proprio dispositivo che viene ricevuto dall'applicazione **Stream Vision** nella voce del menu "**Impostazione del livello di accesso**".

## ⚡ Funzione "SumLight™"

- La funzione **SumLight™** consente di aumentare in modo significativo il livello di sensibilità di un sensore a CMOS in caso di diminuzione del livello di illuminamento, che rende facile l'osservazione in condizioni di scarso illuminamento senza usare l'illuminatore IR.
- Per attivare la funzione **SumLight™**, premere brevemente il pulsante **SINISTRO (8)**.
- Per disattivare la funzione, premere brevemente ancora una volta il pulsante **SINISTRO (8)**.
- Il pittogramma **SumLight™** (attivata **S** o disattivata ) viene visualizzata nella barra di stato.

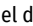

**Attenzione!** Quando la funzione **SumLight™** è attivata, la rumorosità nell'immagine aumenta, la frequenza di cambio dei quadri diminuisce, l'immagine rallenta – con un spostamento brusco del visore clip-on l'immagine potrebbe "sfocare", tali effetti non sono difetti. Sul display del visore clip-on, potrebbero essere visibili punti bianchi luminosi (pixel), il numero dei punti potrebbe aumentare quando la funzione **SumLight™** è attivata, ciò è dovuto alle particolarità di questa funzione e anche un difetto non lo è.

## ⚡ Registrazione video e fotografia

Il visore clip-on ha la funzione di registrazione video (fotografia) di un'immagine osservata sulla scheda di memoria incorporata.

Prima di usare le funzioni di registrazione video e fotografia, leggete le sottovoci "**Impostazione della data**", "**Impostazione del tempo**" nella voce "**Funzioni menu principale**" di questa istruzione.

Il dispositivo di registrazione incorporato funziona in due modi:


- **FOTO** (fotografia: il pittogramma  viene visualizzato nell'angolo in alto a destra del display). Se il numero presunto degli immagini che è ancora possibile salvare nella memoria flash supera 100, viene visualizzata la scritta "> 100".
- **VIDEO** (registrazione video, il pittogramma  viene visualizzato nell'angolo in alto a destra del display - il tempo di registrazione rimanente totale prendendo in considerazione la risoluzione corrente nel formato MM:SS - minuti:secondi).

Quando è acceso, il visore clip-on è in modo Video. Per commutare tra i modi del visore clip-on, premere e tenere premuto il pulsante **DESTRO (6)**. Il passaggio tra i modi avviene in modo ciclico (Video-> Foto-> Video ...).

### Modo FOTO. Fotografia di un'immagine

- Passare al modo Foto premendo a lungo il pulsante **DESTRO (6)**.
- Premere brevemente il pulsante **DESTRO (6)** per scattare una foto. L'immagine resta immobile per 0,5 secondi.
- Il file dell'immagine viene salvato nella memory card integrata.

### Modo video. Registrazione dei video

- Premere a lungo il pulsante **DESTRO (6)** per passare al modo Video.
- Premere brevemente il pulsante **DESTRO (6)** per avviare la registrazione video.
- Iniziativa la registrazione video, il pittogramma  scompare, al suo posto appare il pittogramma REC e anche il temporizzatore di registrazione di un video nel formato MM:SS (minuti:secondi) \*;
- Per interrompere la registrazione del video, premere e tenere premuto il pulsante **DESTRO (6)**.
- I file video vengono salvati sulla scheda di memoria incorporata dopo che la registrazione video è stata disattivata.

\* Il pittogramma viene visualizzata per 2 secondi e poi scompare. Se in seguito il pulsante **DESTRO (6)** viene premuta brevemente, il pittogramma viene visualizzato, il temporizzatore della registrazione mostra il tempo corrente della registrazione video.

#### Note:

- Dopo aver disattivato la registrazione video / dopo aver scattato una foto; quando il visore clip-on si spegne, se la registrazione è stata attivata; se la scheda di memoria è riempita oltre misura, se durante la registrazione video la scheda di memoria è piena (sul display viene visualizzato il messaggio "Memoria è riempita oltre misura").
- Durante la registrazione video, è possibile accedere al menu e lavorare nel menu del visore clip-on;
- I video e foto registrati vengono salvati nella scheda di memoria incorporata del visore clip-on come img\_XXX.jpg (per le foto); video\_XXX.mp4 (per video). XXX - comune registratore file a tre cifre (per le foto e video);
- Il registratore usato nella denominazione dei file multimediali non viene azzerato;
- Quando un file dal mezzo della lista viene eliminato, il suo numero non viene occupato da un altro file.
- Quando il registratore è riempito oltre misura, viene creata una nuova cartella – img\_XXXX. Dove XXXX è un registratore di cartelle.
- La lunghezza massima di un file video registrato è sette minuti. Scaduto questo tempo, il video viene registrato in un nuovo file. Il numero dei file è limitato dalla capacità di memoria interna del visore clip-on;
- Monitorate regolarmente la capacità di memoria libera della scheda di memoria incorporata, trasferite il filmato su altri supporti, liberando lo spazio sulla scheda di memoria;
- Nei file video e foto registrati, vengono visualizzate le informazioni grafiche (barra di stato, pittogrammi, ecc.).

## ⚡ Funzione "Display off"

Quando si utilizza questa funzione, il visore clip-on entra in modo standby, che consente di accenderlo rapidamente se è necessario.

### Opzioni per lavorare con la funzione "Display off":

**Opzione 1.** Il visore clip-on è spento. È necessario accendere il visore clip-on e attivare la funzione "**Display off**".

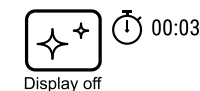
- Accendere il visore clip-on premendo brevemente il pulsante **ON (9)**.
- Attivare la funzione display off: premere e tenere premuto il pulsante **ON (9)**. Il messaggio "Display off" apparirà sullo schermo con il conteggio di tempo.

- Rilasciare il pulsante **ON (9)**.

- Per disattivare la funzione "**Display off**", premere brevemente **ON (9)**.

**Opzione 2.** La funzione "**Display off**" è attiva, è necessario scollegare il visore clip-on.

- Premere e tenere premuto il pulsante **ON (9)**. Il display mostra il messaggio "Display off" con il conteggio del tempo di 3,2,1,0.



Display off

- Tenere premuto il pulsante **ON (9)** fino allo spegnimento del visore clip-on (la disconnessione del visore clip-on si verificherà dopo il conteggio 0) \*.

\*Lo spegnimento del dispositivo più tardi è possibile in relazione al completamento dell'elaborazione delle informazioni da parte del processore per il salvataggio dei dati. In questo caso, il display mostra 0 nel tempo del conteggio.

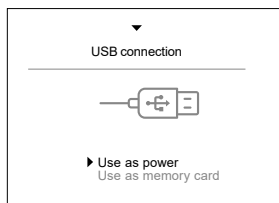
## ⚡ Connessione USB

- Accendere il visore clip-on premendo il pulsante **ON (9)** (il dispositivo spento non viene rilevato dal computer).
- Collegare un'estremità del cavo USB al connettore microUSB **(14)** del visore clip-on, l'altra alla porta del Vostro computer.
- Il dispositivo verrà rilevato dal computer automaticamente, l'installazione dei driver non è richiesta.
- Il display mostrerà due opzioni di connessione: **Memory card (unità esterna)** e **Power (alimentazione)**.
- Utilizzare i pulsanti **DESTRO (6)** e **SINISTRO (8)** per selezionare un'opzione di connessione.
- Premere brevemente il pulsante **M (7)** per confermare la selezione.

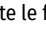
### Opzioni di connessione:

#### Memory card (unità esterna).

- Quando si sceglie questa opzione, il dispositivo viene riconosciuto dal computer come chiavetta USB. Questa opzione è progettata per lavorare con i file che sono salvati nella memoria del dispositivo, mentre le funzioni del dispositivo non sono disponibili, il dispositivo non si spegne. Disconnesso dal computer, il dispositivo continua a funzionare.
- Se il video è stato registrato al momento della connessione, la registrazione si interrompe e viene salvata.



#### Power (alimentazione).

- Quando si sceglie questa opzione, il computer viene utilizzato dal dispositivo come alimentatore esterno. Il pittogramma  appare nella barra di stato. Il dispositivo continua a funzionare, tutte le funzioni sono disponibili.
- La carica della batteria installata nel dispositivo non viene eseguita.

#### Disattivazione USB.

- Quando l'USB viene disconnesso dal dispositivo collegato in modo **Memory Card**, il dispositivo rimane acceso.
- Quando l'USB viene disconnesso dal dispositivo collegato in modo **Power**, il dispositivo continua a funzionare dalla batteria se è sufficientemente carica.

## ⚡ Utilizzo del montaggio su guida weaver

Il visore clip-on è dotato del montaggio su guida Weaver aggiuntivo **(15)** con il quale è possibile installare altri accessori. Previamente è necessario smontare l'illuminatore IR rimovibile (vedere la Sezione **"Illuminatore IR"**).

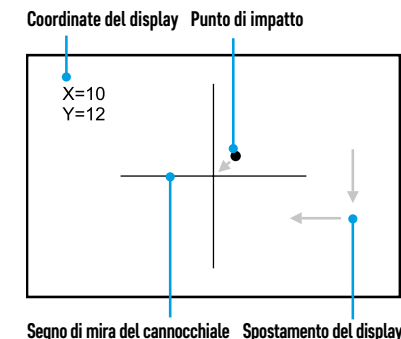
## ⚡ Calibrazione del display

Il visore clip-on è impostato in modo che dopo la sua installazione sul cannocchiale, che è stato aggiustato correttamente il tiro, la correzione del punto di mira non è necessaria. Se il visore clip-on ha subito un colpo forte o caduta, potete verificare il punto d'impatto e se è necessario, correggerlo da soli senza contattare il centro di assistenza.

- Per accedere al modo di calibrazione del display, premere e tenere premuto il pulsante **M (7)** per 10 secondi.
- Si visualizzano le coordinate del display  $X = 0$ ;  $Y = 0$ .

- Utilizzare i pulsanti **SINISTRO (8)** e **DESTRA (6)** per spostare il display orizzontalmente (asse X) e verticalmente (asse Y) in modo che il punto di impatto si sposti al centro del segno di mira del Vostro cannocchiale.

- Per commutare tra le coordinate X e Y, premere brevemente il pulsante **M (7)**.
- Il passo dello spostamento dell'immagine è 1 pixel del sensore.
- La gamma dello spostamento dell'immagine è di +/- 20 pixel in orizzontale (asse X), +/- 20 pixel in verticale (asse Y).
- Per uscire dal menu e salvare le impostazioni, premere e tenere premuto il pulsante **M (7)** per due secondi.



## ⚡ Stream Vision

I visori clip-on supportano la tecnologia che consente di trasmettere tramite il Wi-Fi un'immagine dal dispositivo al Vostro smartphone o tablet in tempo reale.

Le istruzioni dettagliate sul funzionamento di **Stream Vision** possono essere trovate nell'opuscolo separato o sul sito [www.pulsar-vision.com](http://www.pulsar-vision.com)

**Nota:** la costruzione del dispositivo permette di aggiornare il software. È possibile effettuare l'aggiornamento di software tramite l'applicazione **Stream Vision**.

Per scaricare l'applicazione **Stream Vision**, scansionare dei codici QR:



## ⚡ Ispezione tecnica

È consigliato eseguire l'ispezione tecnica prima di ogni utilizzo del dispositivo.

### Verificare:

- Aspetto del dispositivo (non sono ammesse fessure sul corpo).
- Lo stato delle lenti dell'obiettivo, oculare del visore clip-on, lente dell'illuminatore IR (fessure, macchie di grasso, sporco e altri depositi non sono ammessi). Pulire le superfici esterne delle parti di metallo e plastica da polvere, sporco e umido; strofinatele con un panno di cotone.
- Lo stato della batteria (deve essere carica) e contatti elettrici sulla batteria (sali e ossidazioni non sono ammessi).
- Funzionalità degli elementi di comando
- La correttezza e sicurezza dell'attacco del visore clip-on sul cannocchiale.

## ⚡ Manutenzione

La manutenzione va effettuata almeno due volte all'anno e comprende l'eseguire delle operazioni seguenti:

- Usare un panno di cotone per pulire le superfici esterne delle parti di metallo e plastica da polvere e sporco. È permesso l'uso del grasso al silicico.
- Pulire i contatti elettrici della batteria e posti d'installazione della batteria sul dispositivo utilizzando un solvente sgrassato organico.
- Ispezionare le lenti dell'oculare e lenti obiettivi. Se è necessario, rimuovere polvere e sabbia dalle lenti (preferibilmente con un metodo senza contatto). Pulire le superfici esterne dell'ottica con i detergenti appositi.

## ⚡ Deposito

Tenere il visore sempre nella fodera, in luogo secco e ben ventilato. Se il dispositivo viene depositato a lungo termine, assicuratevi di rimuovere la batteria.

## ⚡ Risoluzione problemi

Malfunzionamento	Possibile causa	Risoluzione
Il visore clip-on non si accende.	La batteria è completamente scaricata.	Caricare la batteria
Non funziona da una sorgente di alimentazione esterna.	Il cavo USB è danneggiato.	Sostituire il cavo USB.
	Alimentatore esterno è scaricato.	Caricare l'alimentatore esterno.
Lo smartphone o tablet non si connette al dispositivo.	La password nel dispositivo è modificata.	Eliminate la rete e riconnettervi inserendo la password registrata nel dispositivo.
	Il dispositivo si trova nella zona con un numero elevato di reti Wi-Fi che potrebbero disturbarlo.	Per assicurare il funzionamento stabile del Wi-Fi, spostare il dispositivo in una zona con un numero inferiore delle reti Wi-Fi o zona in cui esse sono assenti.
La trasmissione del segnale tramite il Wi-Fi manca o si interrompe.	Il dispositivo si trova fuori dalla zona della copertura del segnale Wi-Fi. Tra il dispositivo e ricevitore del segnale esistono degli ostacoli (ad esempio, pareti in calcestruzzo).	Spostare il dispositivo nella zona della visibilità diretta del segnale Wi-Fi.
Qualità bassa dell'immagine.	Questi problemi possono verificarsi quando si osserva il maltempo (neve, pioggia, nebbia, ecc.).	
Immagine troppo scura.	Bassa luminosità/contrasto è impostato.	Regolare la luminosità/contrasto.
Le strisce sono apparse sul display o l'immagine è scomparsa.	Il dispositivo è stato sottoposto alla sollecitazione statica durante il funzionamento.	Dopo l'esposizione alla sollecitazione statica il dispositivo può riavviarsi da solo o spegnere e accendere di nuovo il dispositivo.
Con un'immagine chiara del punto di mira l'immagine di un oggetto è sfocata.	Polvere o condensa sulle superfici ottiche esterne o interne della lente.	Strofinare le superfici ottiche esterne con un panno di cotone morbido. Rendere asciutto - lasciare per 4 ore in una stanza calda.
	La lente è sfocata.	Impostare la nitidezza dell'immagine ruotando il regolatore della lente.
Display non è centrato.	La posizione del visore clip-on non è stata regolata sul cannocchiale diurno.	Far retrocedere l'adattatore e impostare il display al centro del campo ottico (vedere la sezione <b>"Funzionamento"</b> ).

Malfunzionamento	Possibile causa	Risoluzione
Il dispositivo non si mette a fuoco.	Impostazione erronea.	Impostare il dispositivo in base alla sezione <b>"Funzionamento"</b> . Controllare le superfici esterne della lente e oculare; se è necessario, pulirle da polvere, condensa, brina, ecc. Se fa freddo, è possibile usare dei rivestimenti anti-appannamento (ad esempio, come per gli occhiali correttivi).
Il punto d'impatto non coincide con il punto di mira.	Il display richiede calibrazione.	Calibrare il display in base alle istruzioni riportate nella sezione <b>"Calibrazione del display"</b> .
	Manca la rigidità nell'installazione del dispositivo sul cannocchiale o del cannocchiale sull'arma.	Controlla la rigidità dell'installazione del dispositivo sul cannocchiale e l'affidabilità di fissaggio del cannocchiale all'arma. Assicurarsi di usare proprio tale tipo di cartuccia con cui in precedenza è stato effettuato il tiro d'aggiustamento della Vostra arma e cannocchiale. Se avete effettuato il tiro d'aggiustamento del cannocchiale in estate e l'utilizzate in inverno (o viceversa), è possibile che esista qualche cambiamento nel punto zero del tiro d'aggiustamento.
Allo sparo, il visore clip-on scivola dal cannocchiale.	Stringimento dell'adattatore insufficiente. Insero selezionato inesattamente.	Scegliere un inserto appropriato e stringere l'adattatore come raccomandato.
Impossibile aprire il morsetto dell'adattatore.	Insero selezionato in modo errato.	Selezionare l'inserto appropriato. Verificare la presenza di un gioco tra le ganasce dell'adattatore.



Cliccate sul link per trovare le risposte alle domande più frequenti.

<https://www.pulsar-nv.com/glo/support/faq/79>

### Compatibilità elettromagnetica.

Questo prodotto è conforme ai requisiti dello standard europeo EN 55032:2015, Classe A.

**Attenzione:** l'esercizio di questo prodotto in un'area residenziale può causare dei radiodisturbi.

**Attenzione!** I dispositivi digitali Forward richiedono una licenza se vengono esportati al di fuori del vostro paese.



### Protezione dell'ambiente!

Il vostro apparecchio contiene materiale che può essere recuperato o riciclato. Portarlo ad un punto di raccolta autorizzato.



## ⚡ Технические характеристики

МОДЕЛЬ	FORWARD F455
SKU#	78186
<b>ОПТИЧЕСКИЕ ХАРАКТЕРИСТИКИ</b>	
Фокус объектива, мм	50
Относительное отверстие, D/f'	1:1
Поле зрения (горизонтальное), °	6,3
Поле зрения (горизонтальное), м@100м	11
Макс. дистанция наблюдения животного ростом 1,7м, м	500
Мин. дистанция фокусировки, м	5
Диапазон рекомендуемой кратности дневного прицела, крат	2-8
<b>ЭЛЕКТРОННЫЕ ХАРАКТЕРИСТИКИ</b>	
Тип и разрешение сенсора	CMOS HD 1280X720
Тип и разрешение дисплея	AMOLED 1746x1000
Чувствительность прибора, мВт (длина волны 780нм, 25 шт/мм разрешение)	1,5×10 <sup>-5</sup>
Чувствительность прибора, мВт (длина волны 915нм, 25 шт/мм разрешение)	5,5×10 <sup>-5</sup>
<b>СЪЕМНЫЙ ИК-ОСВЕТИТЕЛЬ</b>	
Тип / Длина волны, нм	LED 940
<b>ЭКСПЛУАТАЦИОННЫЕ ХАРАКТЕРИСТИКИ</b>	
Напряжение питания, В	3,0 - 4,2
Тип батарей	Литий-ионная батарея IPS7
Емкость	6400 мАч
Выходное номинальное напряжение	DC 3,7В
Внешнее питание	Micro USB Type-B (5B)
Время работы от аккумулятора при t=22 °C, ч (Wi-Fi выкл, ИК выкл)	9
Макс. ударная стойкость на нарезном оружии, Джоулей	6000
Макс. ударная стойкость на гладкоствольном оружии, калибр	12
Степень защиты, код IP (IEC60529)	IPX7
Рабочая температура, °C	-25 ÷ +50
Габариты, мм	155x136x77
Масса, кг	0,83
<b>ВИДЕОРЕКОРДЕР</b>	
Разрешение видео/фото, пикселей	1280x720
Формат видеозаписи / фото	.mp4 / .jpg
Объем встроенной памяти	16Гб
<b>WI-FI КАНАЛ</b>	
Частота	2,4 ГГц
Стандарт	802.11 b/g/n

Для улучшения потребительских свойств изделия в его конструкцию могут вноситься усовершенствования.

Актуальную версию инструкции по эксплуатации Вы можете найти на сайте [www.pulsar-vision.com](http://www.pulsar-vision.com)

## ⚡ Комплект поставки

- Цифровая ночная насадка
- Чехол
- Аккумуляторная батарея
- Зарядное устройство к аккумуляторной батарее
- Сетевой адаптер
- Кабель microUSB
- Краткая инструкция по эксплуатации
- Салфетка для чистки оптики
- Гарантийный талон

## ⚡ Описание

Цифровая ночная насадка **Forward F455** – универсальный прибор, позволяющий быстро и просто трансформировать дневной оптический прицел в ночной. Насадка устанавливается на объектив оптического прицела при помощи адаптеров, рассчитанных на различные диаметры объектива. Насадка не требует дополнительной пристрелки. Насадка предназначена для различных сфер применения, включая охоту, спортивную стрельбу, ночную фото- и видеосъемку, наблюдение.

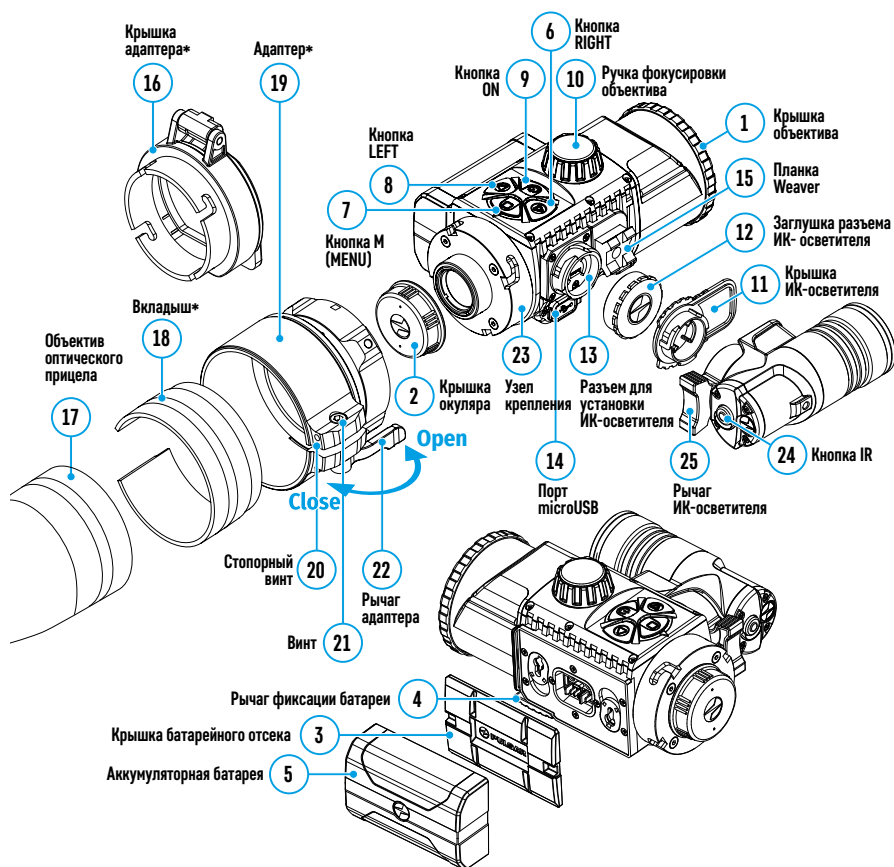
## ⚡ Особенности

Ключевые особенности:

- HD-сенсор 1280x720
- Повышенная ночная чувствительность
- Простая трансформация дневного оптического прицела в ночной
- Сохранение преимуществ дневной оптики в ночных условиях
- Стабильность точки прицеливания
- Комфортное использование в широком диапазоне увеличений дневной оптики
- Невидимый ИК-осветитель дальнего действия
- Функция дополнительного повышения чувствительности **SumLight™**
- Дистанция обнаружения до 500 м
- Мгновенное включение
- Встроенная видеозапись
- Питание от быстросменных высокоемких аккумуляторных батарей системы B-Pack
- Система четырехточечного крепления с автоматическим зажимом
- Совместимость с адаптерами других производителей
- Ударная стойкость на крупных калибрах: 12 кал., 9.3x64, .375N&H
- Wi-Fi. Интеграция с IOS и Android устройствами
- **Stream Vision.** Дистанционное управление, наблюдение и прямые YouTube-трансляции с помощью смартфона
- Дистанционное обновление программного обеспечения
- Полная водонепроницаемость (IPX7)
- Широкий диапазон эксплуатационных температур (-25 ÷ +50°C)
- MicroUSB. Поддержка питания от Power Bank

## ⚡ Элементы и органы управления

1. Крышка объектива
2. Крышка окуляра
3. Крышка батарейного отсека
4. Рычаг фиксации батареи
5. Аккумуляторная батарея
6. Кнопка **RIGHT**
7. Кнопка **M (MENU)**
8. Кнопка **LEFT**
9. Кнопка **ON**
10. Ручка фокусировки объектива
11. Крышка ИК-осветителя
12. Заглушка разъема ИК-осветителя
13. Разъем для установки ИК-осветителя
14. Порт microUSB
15. Планка Weaver
16. Крышка адаптера\*
17. Объектив оптического прицела
18. Вкладыш\*
19. Адаптер\*
20. Стопорный винт
21. Винт
22. Рычаг адаптера
23. Узел крепления
24. Кнопка **IR**
25. Рычаг ИК-осветителя



\*Элементы крышки-адаптера FN (приобретается отдельно)

## ⚡ Работа кнопок

Кнопка	Режим работы	Первое короткое нажатие	Последующие короткие нажатия	Длительное нажатие
<b>ON (9)</b>	Прибор выключен	Включение прибора	—	Включение прибора
	Дисплей выключен	Включение дисплея	—	Выключение прибора
	Прибор включен, быстрое меню, основное меню	—	—	Выключение дисплея / Выключение прибора
<b>LEFT (8)</b>	Прибор включен	Включение <b>SumLight™</b>	Выключение <b>SumLight™</b>	Включение WiFi / Выключение WiFi
	Навигация в меню	Навигация вверх, влево, против часовой стрелки		
	Быстрое меню	Уменьшение параметра		
<b>MENU (7)</b>	Прибор включен	Вход в быстрое меню		Вход в основное меню
	Навигация в меню	Подтверждение выбора		Выход из подменю без подтверждения выбора / выход из меню (переход в режим наблюдения)
	Быстрое меню	Навигация вверх		Выход из быстрого меню
<b>RIGHT (6)</b>	Прибор включен (режим «Видео»)	Старт видеозаписи	—	Выключение записи видео / Переход в режим «Фото»
	Прибор включен (режим «Фото»)	Произведение фотоснимка		Переход в режим «Видео»
	Навигация в меню	Вниз / Вправо / по часовой стрелке		
	Быстрое меню	Увеличение параметра		
<b>IR (24)</b>	Прибор включен, быстрое меню, основное меню	Включение ИК	Изменение мощности ИК	Выключение ИК

## ⚡ Особенности эксплуатации

Насадка **Forward F455** предназначена для длительного использования. Для обеспечения долговечности и полной работоспособности придерживайтесь следующих рекомендаций:

- Перед началом эксплуатации прибора убедитесь, что Вы установили ее согласно инструкциям раздела **«Установка насадки на оптический прибор»**.
- Выключите насадку после использования.
- Самостоятельно ремонтировать и разбирать гарантийный прибор запрещается!
- Насадка может эксплуатироваться в широком диапазоне температур. Если насадка эксплуатировалась на холоде и была внесена в теплое помещение, не вынимайте ее из чехла в течение 2-3 часов. Это позволит предотвратить появление конденсата на внешних оптических элементах.
- Для обеспечения безотказной работы, предупреждения и устранения причин, вызывающих преждевременный износ или выход из строя узлов и деталей, своевременно осуществляйте технический осмотр и обслуживание прибора.
- Батарея не должна подвергаться чрезмерному нагреву от солнечных лучей, огня и других источников тепла.

## ⚡ Использование аккумуляторной батареи

Насадка **Forward F455** поставляется с перезаряжаемой литий-ионной батареей Battery Pack IPS7, которая позволяет использовать насадку на протяжении до 9 часов. Зарядите батарею перед первым использованием.

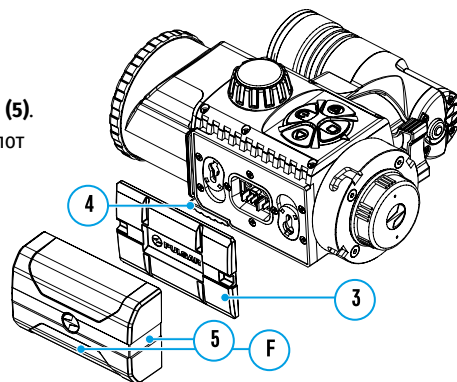
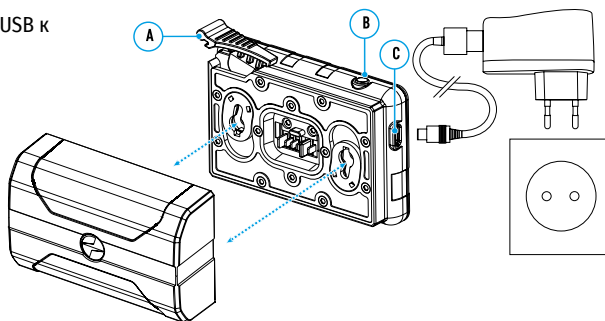
### Зарядка аккумуляторной батареи:

- Подключите штекер microUSB кабеля USB к разъему **(C)** зарядного устройства.
- Подключите штекер кабеля USB к сетевому адаптеру.
- Включите сетевой адаптер в розетку 110-220В.
- Поднимите рычаг **(A)** зарядного устройства.
- Снимите защитную крышку с аккумуляторной батареи.
- Установите аккумуляторную батарею в зарядное устройство как показано на рисунке, зафиксируйте рычаг **(A)**.
- При установке на зарядном устройстве загорится индикатор **(B)** зеленого цвета и начнет кратко мигать с определенным интервалом:
  - один раз, если заряд батареи составляет от 0 до 50%;
  - два раза, если заряд батареи составляет от 51 до 75%;
  - три раза, если заряд батареи составляет от 76 до 100%.
- Если индикатор постоянно горит зеленым, значит, батарея полностью заряжена. Отключите зарядное устройство от сети, отсоедините батарею от зарядного устройства.
- Если индикатор зарядного устройства при установке батареи постоянно горит красным, вероятно, уровень заряда ниже допустимого значения (батарея находилась длительное время в разряженном состоянии). Оставьте батарею в зарядном устройстве на длительное время (до нескольких часов), затем извлеките и вставьте обратно.
- Если индикатор станет мигать зеленым цветом, значит батарея исправна;
- Если будет продолжать гореть красным, батарея неисправна. Не используйте эту батарею!

**Внимание!** Для заряда всегда используйте зарядное устройство из комплекта поставки прибора, либо зарядное устройство Pulsar IPS (приобретается отдельно). Использование других зарядных устройств может нанести непоправимый ущерб батарее.

### Установка аккумуляторной батареи:

- Опустите рычаг **(4)**.
- Снимите защитную крышку батарейного отсека **(3)**.
- Снимите защитную крышку с аккумуляторной батареи **(5)**.
- Установите батарею **(5)** в предназначенный для нее слот на корпусе прибора таким образом, чтобы элемент **F** (выступ на корпусе батареи) находился снизу.
- Зафиксируйте батарею, подняв рычаг **(4)**.
- **Внимание!** Питание прибора может осуществляться от внешнего источника питания типа Power Bank (5B). Для подключения внешнего источника питания к прибору присоедините кабель USB к порту microUSB **(14)** прибора. Подробнее в разделе [«Внешнее питание»](#)

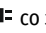
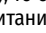



### Меры предосторожности:

- Не используйте зарядное устройство, если его конструкция была изменена или оно было повреждено.
- Во время зарядки не оставляйте батарею без присмотра.
- Не оставляйте зарядное устройство с подключенной к сети батареей к сети более 24 часов после полной зарядки.
- Зарядка батареи должна осуществляться при температуре воздуха 0 °C ÷ +45 °C. В противном случае возможно снижение рабочего ресурса батареи.
- Не заряжайте батарею непосредственно после перемещения батареи из холодных условий в теплую обстановку. Подождите 30-40 минут, пока батарея прогреется.
- Не подвергайте батарею воздействию высоких температур и открытого огня.
- Батарея не предназначена для погружения в воду.
- Не рекомендуется подключать сторонние устройства с током потребления больше допустимого.
- Батарея оснащена системой защиты от короткого замыкания. Однако следует избегать ситуаций, которые могут привести к короткому замыканию.
- Не разбирайте и не деформируйте батарею.
- Не подвергайте батарею ударам и падениям.
- При длительном хранении батарея должна быть частично заряжена – не должна быть полностью заряжена или полностью разряжена.
- Храните батарею в месте, недоступном для детей.

## ⚡ Внешнее питание

Внешнее питание осуществляется от внешнего источника питания типа Power Bank (5B).

- Подключите источник внешнего питания к разъему USB **(14)** прибора.
- Прибор переключится на работу от внешнего питания, при этом батарея IPS7 будет постепенно подзаряжаться.
- На дисплее появится пиктограмма батареи  со значением уровня заряда в процентах.
- Если прибор подключен от компьютера или сетевого адаптера или Power Bank, который не соответствует стандарту Battery Charger (BC 1.0), то батарея IPS7 заряжаться не начнет, будет отображаться только пиктограмма внешнего питания .
- Если прибор работает от внешнего источника питания, но батарея IPS7 не подключена, отображается пиктограмма .
- При отключении внешнего источника питания насадка начнет работать от батареи.

## ⚡ Эксплуатация

### Установка насадки на оптический прибор

- Подберите адаптер\* с вкладышем нужного диаметра в зависимости от наружного диаметра объектива Вашего оптического прицела (см. таблицу).
- Обозначение 42 мм / 50 мм / 56 мм в наименовании адаптера означают световой диаметр объектива оптического прибора.
- Снимите крышку **(16)** с адаптера **(19)**, повернув ее по часовой стрелке.
- Перед установкой рекомендуется обезжирить корпус объектива прицела.
- Установите до упора вкладыш **(18)** в адаптер **(19)**.
- Установите до упора адаптер с вкладышем на объектив дневного прицела **(17)**.
- Переведите рычаг **(22)** из первоначального положения «открыто» **(OPEN)** в положение «закрывается» **(CLOSE)**.

- Проверьте, плотно ли адаптер прилегает к объективу.
- В случае наличия люфта сделайте следующее:
  - Ослабьте шестигранным ключом (S=2mm) стопорный винт (20).
  - Затяните винт (21) шестигранным ключом (S=4mm) с усилием, необходимым для обеспечения плотной посадки адаптера на объективе. Усилие зажима должно составлять 1 Н·м.
  - Затяните стопорный винт (20).
- Усилие можно проверить динамометрической отверткой.
- Плотно вставьте насадку в адаптер таким образом, чтобы штифты, находящиеся в корпусе адаптера, вошли в пазы (23) насадки. Поверните цифровой модуль по часовой стрелке до упора. Маркировка в виде треугольника на насадке и в виде квадрата на корпусе адаптера должны совпасть.
- Для выравнивания насадки переведите рычаг (22) в положение **OPEN** и выровняйте цифровой модуль по горизонту.

\*Приобретается отдельно

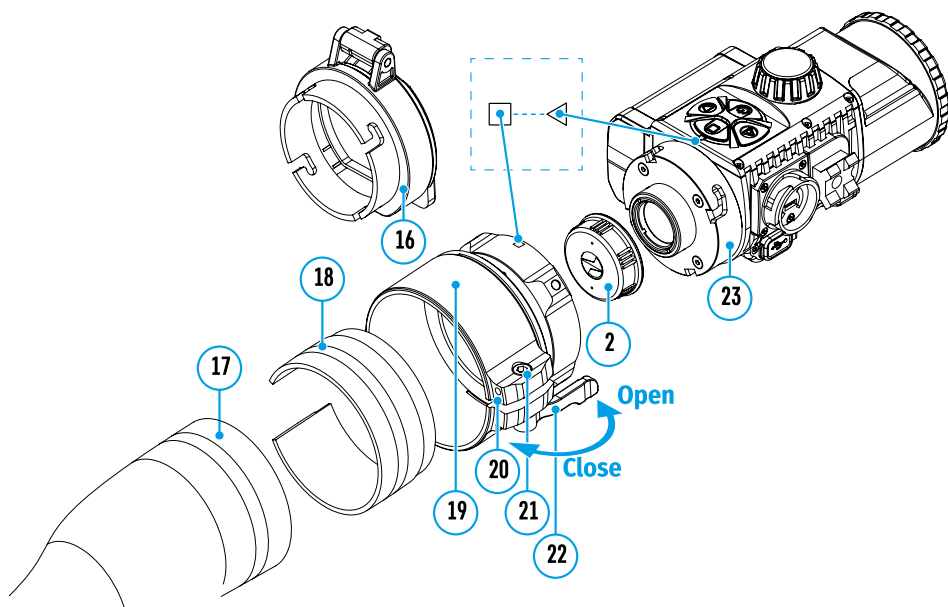


Таблица подбора вкладышей для оптических приборов

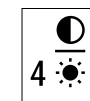
Модель крышки-адаптера	Соответствие внутреннего диаметра вкладыша и внешнего диаметра корпуса объектива дневного оптического прибора (прицела, зрительной трубы)	
	Внутренний диаметр вкладыша, мм	Внешний диаметр объектива прицела, мм
Крышка-адаптер FN 42 мм	47	46,7-47,6
	48	47,7-48,6
	49	48,7-49,6
	50	49,7-50,6
Крышка-адаптер FN 50 мм	55	54,7-55,6
	56	55,7-56,6
	57	56,7-57,6
	58	57,7-58,6
Крышка-адаптер FN 56 мм	59	58,7-59,6
	60	59,7-60,6
	61	60,7-61,6
	62	61,7-62,6
	63	62,7-63,6
	64	63,7-64,6
	65	64,7-65,6

#### Включение и настройка изображения

- Снимите крышку объектива (1), повернув ее против часовой стрелки.
  - Кратким нажатием кнопки **ON (9)** включите насадку - на дисплее появится изображение.
  - Настройте резкое изображение символов на дисплее вращением кольца диоптрийной настройки окуляра Вашего оптического прицела. В дальнейшем, независимо от дистанции и других условий, вращать кольцо диоптрийной настройки окуляра не требуется.
  - Для фокусировки на объект наблюдения вращайте ручку фокусировки объектива (10).
- Базовые настройки (регулировка яркости и контраста) изменяются средствами меню быстрого доступа. По окончании использования выключите насадку длительным нажатием кнопки **ON (9)**.

#### ⚡ Функции меню быстрого доступа

- Войдите в «быстрое» меню кратким нажатием кнопки **M (7)**.
- Для перехода между функциями, описанными ниже, кратко нажимайте кнопку **M (7)**.
- Яркость ☀ - нажатием кнопок **RIGHT (6)** и **LEFT (8)** изменяйте значение яркости дисплея от 0 до 20.
- Контраст ● - нажатием кнопок **RIGHT (6)** и **LEFT (8)** изменяйте значение контраста изображения от 0 до 20.



## ⚡ Функции основного меню

- Войдите в основное меню длительным нажатием кнопки **M (7)**.
- Для перемещения по пунктам основного меню нажимайте кнопки **RIGHT (6)** и **LEFT (8)**.
- Для входа в подпункт основного меню кратко нажмите кнопку **M (7)**.
- Для выхода из подпункта основного меню нажмите и удерживайте кнопку **M (7)**.

- Автоматический выход из основного меню происходит после 10 секунд бездействия.

### Состав и описание меню

- Яркость пиктограмм
- Настройки Wi-Fi
- Общие настройки
- Автоматическое отключение
- Информация о приборе

Общий вид меню:



**Яркость пиктограмм** Данный пункт меню позволяет настроить яркость пиктограмм на дисплее насадки.

- Нажмите и удерживайте кнопку **M (7)** для входа в основное меню.
- Кнопками **RIGHT (6)** и **LEFT (8)** выберите пункт меню «Яркость пиктограмм».
- Кратко нажмите кнопку **M (7)** для входа в подменю.
- Кнопками **RIGHT (6)** и **LEFT (8)** выберите уровень яркости пиктограмм.
- Для сохранения выбора и выхода из подменю нажмите и удерживайте кнопку **M (7)**.

**Настройки Wi-Fi** Данный пункт позволяет настроить насадку для работы в сети Wi-Fi.

**Примечание:** включение/выключение Wi-Fi осуществляется длительным нажатием кнопки **LEFT (8)**.

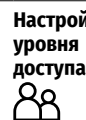
PAS

**Настройка пароля** Данное подменю позволяет настроить пароль доступа к насадке со стороны внешнего устройства. Пароль используется при подключении внешнего устройства (например, смартфона) к прибору.

- Нажмите и удерживайте кнопку **M (7)** для входа в основное меню.
- Кнопками **RIGHT (6)** и **LEFT (8)** выберите пункт меню «Настройки Wi-Fi».
- Кратко нажмите кнопку **M (7)** для входа в подменю.
- Кнопками **RIGHT (6)** и **LEFT (8)** выберите пункт подменю «Настройка пароля».
- Кратко нажмите кнопку **M (7)** для входа в подменю.
- На дисплее появится пароль – по умолчанию «12345678».
- Кнопками **RIGHT (6)** и **LEFT (8)** установите желаемый пароль (кнопка **RIGHT** - увеличение значения, кнопка **LEFT** - уменьшение значения). Для перемещения между разрядами нажимайте кнопку **M (7)**.
- Для сохранения пароля и выхода из подменю нажмите и удерживайте кнопку **M (7)**.



**Настройки Wi-Fi**



**Настройка уровня доступа**

Данный подпункт позволяет настроить необходимый уровень доступа к своему прибору, который получает приложение **Stream Vision**.

**Уровень Хозяин.** Пользователь из **Stream Vision** имеет полный доступ ко всем функциям прибора.

**Уровень Гость.** Пользователь из **Stream Vision** имеет возможность только просматривать видео с прибора в реальном времени.

- Нажмите и удерживайте кнопку **M (7)** для входа в основное меню.
- Кнопками **RIGHT (6)** и **LEFT (8)** выберите пункт меню «Настройки Wi-Fi».
- Кратко нажмите кнопку **M (7)** для входа в подменю.
- Кнопками **RIGHT (6)** и **LEFT (8)** выберите пункт подменю «Настройка уровня доступа».
- Кнопками **RIGHT (6)** и **LEFT (8)** выберите уровень доступа – «Хозяин» или «Гость».
- Для подтверждения выбора и выхода из подменю нажмите и удерживайте кнопку **M (7)**.



**Общие настройки**

Пункт меню позволяет установить следующие настройки:

- Язык
- Время
- Дата
- Настройки по умолчанию
- Форматирование



**Язык**

**Выбор языка интерфейса.**

- Нажмите и удерживайте кнопку **M (7)** для входа в основное меню.
- Кнопками **RIGHT (6)** и **LEFT (8)** выберите подменю «Общие настройки».
- Кратко нажмите кнопку **M (7)** для входа в подменю.
- Кнопками **RIGHT (6)** и **LEFT (8)** выберите пункт подменю «Язык».
- Кратко нажмите кнопку **M (7)** для входа в подменю.
- Кнопками **RIGHT (6)** и **LEFT (8)** выберите один из доступных языков интерфейса: английский, немецкий, испанский, французский, русский.
- Для сохранения выбора и выхода из подменю нажмите и удерживайте кнопку **M (7)**.

**Дата**



**Настройка даты**

- Нажмите и удерживайте кнопку **M (7)** для входа в основное меню.
- Кнопками **RIGHT (6)** и **LEFT (8)** выберите подменю «Общие настройки».
- Кратко нажмите кнопку **M (7)** для входа в подменю.
- Кнопками **RIGHT (6)** и **LEFT (8)** выберите пункт подменю «Дата».
- Кратко нажмите кнопку **M (7)** для входа в подменю.
- Дата отображается в формате дд / мм / гггг (12/04/2017)
- Кнопками **RIGHT (6)** и **LEFT (8)** выберите нужное значение дня, месяца и года. (кнопка **RIGHT (6)** - увеличение значения, кнопка **LEFT (8)** - уменьшение значения) Для перемещения между разрядами кратко нажимайте кнопку **M (7)**.
- Для сохранения выбранной даты и выхода из подменю нажмите и удерживайте кнопку **M (7)**.



## Общие настройки



### Время

#### Настройка времени

- Нажмите и удерживайте кнопку **M (7)** для входа в основное меню.
- Кнопками **RIGHT (6)** и **LEFT (8)** выберите подменю **«Общие настройки»**.
- Кратко нажмите кнопку **M (7)** для входа в подменю.
- Кнопками **RIGHT (6)** и **LEFT (8)** выберите пункт подменю **«Время»**.
- Кратко нажмите кнопку **M (7)** для входа в подменю.
- Нажатием кнопки **RIGHT (6)** и **LEFT (8)** выберите формат времени – 24/12 (или PM/AM).
- Для перехода к настройке значения часа нажмите кнопку **M (7)**.
- Нажатием кнопки **RIGHT (6)** и **LEFT (8)** выберите значение часа (кнопка **RIGHT (6)** – увеличение значения, кнопка **LEFT (8)** – уменьшение значения)
- Для перехода к настройке значения минут нажмите кнопку **M (7)**.
- Нажатием кнопки **RIGHT (6)** и **LEFT (8)** выберите значение минут.
- Для сохранения выбранного времени и выхода из подменю нажмите и удерживайте кнопку **M (7)**.

### Возврат к настройкам по умолчанию



- Нажмите и удерживайте кнопку **M (7)** для входа в основное меню.
- Кнопками **RIGHT (6)** и **LEFT (8)** выберите подменю **«Общие настройки»**.
- Кратко нажмите кнопку **M (7)** для входа в подменю.
- Кнопками **RIGHT (6)** и **LEFT (8)** выберите пункт подменю **«Настройки по умолчанию»**.
- Кратко нажмите кнопку **M (7)** для входа в подменю.
- Кнопками **RIGHT (6)** и **LEFT (8)** выберите вариант «Да» для возврата к заводским настройкам, или «Нет» для отмены действия.
- Подтвердите выбор кратким нажатием кнопки **M (7)**.

Следующие настройки будут возвращены в первоначальное состояние до их изменения пользователем:

**Уровень яркости** - 10

**Уровень контраста** - 8

**Язык** - английский

**Wi-Fi** – выключен (пароль по умолчанию)

**Автоотключение** - выключено

### Форматирование



Форматирование встроенной карты памяти безвозвратно удаляет все записанные файлы.

**Внимание!** Убедитесь в том, что удаляемые файлы вам больше не нужны либо сделайте резервную копию на другом носителе.

- Нажмите и удерживайте кнопку **M (7)** для входа в основное меню.
- Кнопками **RIGHT (6)** и **LEFT (8)** выберите подменю **«Общие настройки»**.
- Кратко нажмите кнопку **M (7)** для входа в подменю.
- Кнопками **RIGHT (6)** и **LEFT (8)** выберите пункт подменю **«Форматирование»**.
- Кратко нажмите кнопку **M (7)** для входа в подменю.
- Кнопками **RIGHT (6)** и **LEFT (8)** выберите вариант «Да» для форматирования или «Нет» для отмены действия.
- Подтвердите выбор кратким нажатием кнопки **M (7)**.

### Автоотключение



Данный пункт позволяет активировать функцию автоматического отключения насадки через определенный период времени при наклоне насадки по горизонтали или вертикали более чем на 70°; вправо или влево более чем на 30°. При этом органы управления прибора не должны быть задействованы.

- Нажмите и удерживайте кнопку **M (7)** для входа в основное меню.
- Кнопками **RIGHT (6)** и **LEFT (8)** выберите пункт меню **«Автоотключение»**.
- Кратко нажмите кнопку **M (7)** для входа в подменю.
- Кнопками **RIGHT (6)** и **LEFT (8)** выберите временной промежуток, в течение которого прибор, автоматически выключится (1 мин; 3 мин; 5 мин), либо вариант «Off», если вы хотите деактивировать функцию автоматического отключения.
- Подтвердите выбор кратким нажатием кнопки **M (7)**.

**Примечание:** в строке статуса отображается пиктограмма состояния функции **«Автоотключение»** ☺ 1 min.

### Информация о насадке



- Нажмите и удерживайте кнопку **M (7)** для входа в основное меню.
- Кнопками **RIGHT (6)** и **LEFT (8)** выберите пункт меню **«Информация о насадке»**.
- Кратко нажмите кнопку **M (7)** для входа в подменю.

Пользователю доступна следующая информация о насадке:

**полное имя**

**SKU номер**

**серийный номер**

**версия ПО**

**версия сборки**

**служебная информация**

## ⚡ Строка статуса



Строка статуса располагается в нижней части дисплея и отображает информацию о текущем состоянии работы насадки, в том числе:

- Функция **SumLight™**
- Автоматическое отключение ☺ 1 min (если функция включена)
- Работа ИК-осветителя (например, 3-я степень)
- Подключение по Wi-Fi
- Часы
- Уровень заряда аккумуляторной батареи (если насадка питается от аккумуляторной батареи) или индикатор питания от внешнего источника питания (если прибор питается от внешнего источника питания) или
- Индикатор заряда батареи с текущим процентом ее заряда (если установлена батарея и происходит ее зарядка от внешнего источника питания)

**Примечание:** при увеличении кратности оптического прибора, на который установлена насадка, строка статуса может частично или полностью выходить за пределы видимого изображения.



- При переполнении счетчика создается новая папка – img\_xxxx. Где xxxx – счетчик для папок.
- Максимальная продолжительность записываемого видеофайла - семь минут. По истечении этого времени видео записывается в новый файл. Количество файлов ограничено объемом встроенной памяти прибора;
- Регулярно контролируйте объем свободной памяти встроенной карты памяти, переносите отснятый материал на другие носители, освобождая место на карте памяти;
- В записанных видеофайлах и фотографиях отображается графическая информация (строка статуса, пиктограммы и пр.).

## ⚡ Функция «Выключен дисплей» (Display Off)

При использовании данной функции насадка переходит в режим ожидания, что позволяет при необходимости быстро ее включить.

### Варианты работы с функцией «Выключен дисплей»

**Вариант 1.** Насадка выключена. Необходимо включить насадку и включить функцию «Выключен дисплей».

- Включите прибор кратковременным нажатием кнопки **ON (9)**.
- Включите функцию «Выключен дисплей»: нажмите и удерживайте кнопку **ON (9)**. На экране появится сообщение «Дисплей выключен» с отсчетом времени.
- Отпустите кнопку **ON (9)**.



• Для отключения функции «Выключен дисплей» (включения дисплея) кратко нажмите **ON (9)**.

**Вариант 2.** Функция «Выключен дисплей» включена, необходимо отключить насадку.

- Нажмите и удерживайте кнопку **ON (9)**. На дисплее отображается сообщение «Дисплей выключен» с отсчетом времени 3, 2, 1, 0.
- Удерживайте кнопку **ON (9)** до отключения насадки (отключение насадки произойдет после отсчета 0)\*.

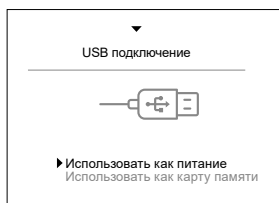
\*возможно более позднее отключение насадки в связи с завершением обработки информации процессором для сохранения данных. При этом на дисплее отображается 0 во времени отсчета.

## ⚡ Подключение USB

- Включите прибор нажатием кнопки **ON (9)** (выключенный прибор компьютером не определяется).
- Подключите один конец кабеля USB к разъему microUSB (**14**) прибора, второй – к порту вашего компьютера.
- Прибор определится компьютером автоматически, установка драйверов не требуется.
- На дисплее появится два варианта подключения: **Карта памяти** (Memory card) и **Питание** (Power).
- Кнопками **RIGHT (6)** и **LEFT (8)** выберите вариант подключения.
- Кратко нажмите кнопку **M (7)** для подтверждения выбора.

### Варианты подключения:

- **Карта памяти** (Memory card). При выборе данного варианта прибор распознается компьютером как флеш-карта. Данный вариант предназначен для работы с файлами, которые хранятся в памяти прибора, при этом функции прибора не доступны, прибор не выключается. При отключении от компьютера прибор продолжает работать.
- Если в момент подключения производилась запись видео, запись останавливается и сохраняется.
- **Питание** (Power). При выборе данного варианта компьютер используется прибором как внешнее питание. В строке статуса появится пиктограмма . Прибор продолжает работать, все функции доступны.
- Зарядка аккумуляторной батареи, установленной в приборе, не производится.



### Отключение USB.

- При отключении USB от прибора, подключенного в режиме **Карта памяти**, прибор остается во включенном состоянии.

- При отключении USB от прибора, подключенного в режиме **Питание**, прибор продолжает работать от аккумуляторной батареи при ее достаточном заряде.

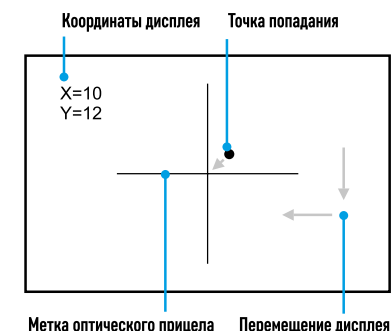
## ⚡ Использование планки Weaver

Насадка оборудована дополнительной планкой Weaver (**15**) с помощью которой Вы можете установить дополнительные аксессуары. Предварительно необходимо демонтировать съемный ИК-осветитель (Смотрите раздел «**ИК-осветитель**»).

## ⚡ Калибровка дисплея

Насадка настроена таким образом, что после ее установки на оптический прицел, который был должным образом пристрелян, корректировка точки прицеливания не требуется. В том случае, если насадка подверглась сильному удару или падению, Вы можете проверить точку попадания и в случае необходимости самостоятельно ее откорректировать, не обращаясь в сервисный центр.

- Для входа в режим калибровки дисплея нажмите и удерживайте сначала кнопку **M (7)** в течение 10 секунд – появятся координаты дисплея X=0; Y=0.
- Кнопками **LEFT (8)** и **RIGHT (6)** перемещайте дисплей по горизонтали (ось X) и по вертикали (ось Y) таким образом, чтобы точка попадания переместилась в центр прицельной метки Вашего оптического прицела.
- Для переключения между координатами X и Y кратко нажимайте кнопку **M (7)**.
- Шаг смещения изображения - 1 пиксель сенсора.
- Диапазон перемещения изображения - +/- 20 пикселей по горизонтали (ось X), +/- 20 пикселей по вертикали (ось Y).
- Для выхода из меню и сохранения настроек нажмите и удерживайте кнопку **M (7)** в течение двух секунд.



## ⚡ Stream Vision

Приборы Forward поддерживают технологию **Stream Vision**, которая позволяет посредством Wi-Fi транслировать изображение с прибора на Ваш смартфон либо планшет в режиме реального времени. Подробные инструкции по работе **Stream Vision** Вы можете найти в отдельном буклете либо на сайте [www.pulsar-vision.com](http://www.pulsar-vision.com)

**Примечание:** в конструкцию прибора заложена возможность обновления программного обеспечения. Обновление возможно через приложение **Stream Vision**.

Для того чтобы скачать приложение **Stream Vision**, сканируйте или нажмите на QR код:





## ⚡ Технический осмотр

Технический осмотр рекомендуется производить перед каждым использованием прибора.

### Проверьте:

- Внешний вид прибора (трещины на корпусе не допускаются).
- Состояние линз объектива и окуляра цифрового модуля и объектива ИК-осветителя (трещины, жировые пятна, грязь и другие налеты не допускаются). Очистите наружные поверхности металлических и пластмассовых деталей от пыли, грязи и влаги; протрите их хлопчатобумажной салфеткой.
- Состояние аккумуляторной батареи (должна быть заряжена) и электрических контактов на батарее (наличие солей и окисления не допускаются).
- Работоспособность органов управления.
- Правильность и надежность крепления цифрового модуля на оптическом приборе.

## ⚡ Техническое обслуживание

Техническое обслуживание проводится не реже двух раз в год и заключается в выполнении изложенных ниже пунктов:

- Хлопчатобумажной салфеткой очистите наружные поверхности металлических и пластмассовых деталей от пыли и грязи. Допускается применение силиконовой смазки.
- Очистите электрические контакты аккумуляторной батареи и места установки батареи на приборе, используя нежирный органический растворитель.
- Осмотрите линзы окуляра и объектива. При необходимости удалите с линз пыль и песок (желательно бесконтактным методом). Чистку наружных поверхностей оптики производите при помощи специально предназначенных для этих целей средств.

## ⚡ Хранение

Храните прибор всегда только в чехле, в сухом, хорошо вентилируемом помещении. При длительном хранении обязательно извлеките аккумуляторную батарею.

## ⚡ Выявление неисправностей

Неисправность	Возможная причина	Исправление
Прибор не включается.	Батарея полностью разрядилась.	Зарядите батарею.
Не работает от внешнего источника питания.	Поврежден кабель USB.	Замените кабель USB.
	Разряжен источник внешнего питания.	Зарядите источник внешнего питания.
Смартфон или планшет не подключается к прибору.	Изменен пароль в приборе.	Удалите сеть и подключитесь повторно с вводом пароля, записанного в приборе.
	Прибор находится в зоне с большим количеством сетей Wi-Fi, которые могут создавать помехи.	Для обеспечения стабильного функционирования Wi-Fi переместите прибор в зону с меньшим количеством сетей Wi-Fi либо в зону, где они отсутствуют.
Отсутствует или прерывается трансляция сигнала через Wi-Fi.	Прибор находится вне зоны уверенного приема сигнала Wi-Fi. Между прибором и приемником сигнала находятся препятствия (бетонные стены, например).	Переместите прибор в зону прямой видимости работы сигнала Wi-Fi.

Неисправность	Возможная причина	Исправление
Низкое качество изображения.	Указанные проблемы могут возникать при наблюдении в сложных погодных условиях (снег, дождь, туман и пр.).	
Изображение слишком темное.	Установлен низкий уровень яркости или контраста.	Отрегулируйте яркость или контраст.
На дисплее появились полосы либо изображение исчезло.	В процессе эксплуатации на прибор воздействовало статическое напряжение.	После воздействия статического напряжения прибор может самостоятельно перезагрузиться либо выключите и повторно включите прибор.
При четком изображении прицельной метки нечеткое изображение объекта.	Пыль или конденсат на наружных или внутренних оптических поверхностях объектива.	Протрите наружные оптические поверхности мягкой хлопчатобумажной салфеткой. Просушите – дайте постоять 4 часа в теплом помещении.
	Не сфокусирован объектив.	Отрегулируйте четкость изображения вращением регулятора объектива.
Дисплей расположен не по центру.	Не отрегулировано положение цифрового модуля на дневном прицеле.	Отожмите адаптер и выставьте положение дисплея по центру поля зрения (см. раздел <b>«Эксплуатация»</b> ).
Прибор не фокусируется.	Неправильная настройка.	Настройте прибор в соответствии с разделом <b>«Эксплуатация»</b> . Проверьте наружные поверхности линз объектива и окуляра; при необходимости очистите их от пыли, конденсата, инея и т.д. В холодную погоду Вы можете использовать специальные антизапотевающие покрытия (например, как для корректирующих очков).
Точка попадания не совпадает с точкой прицеливания.	Требуется калибровка дисплея.	Произведите калибровку дисплея в соответствии с инструкциями раздела <b>«Калибровка дисплея»</b> .
	Нет жесткости установки прибора на прицеле или прицела на оружии.	Проверьте жесткость установки прибора на прицеле и надежность фиксации прицела к оружию. Убедитесь, что Вы используете именно тот тип патронов, которым ранее пристреливали Ваше оружие и прицел. Если Вы пристреливали прицел летом, а эксплуатируете его зимой (или наоборот), то не исключено некоторое изменение нулевой точки пристрелки.
При выстреле насадка соскальзывает с прицела.	Недостаточное зажатие адаптера. Неверно выбран вкладыш.	Выберите подходящий вкладыш и зажмите адаптер согласно рекомендациям.
Невозможно открыть зажим адаптера.	Неверно выбран вкладыш.	Выберите подходящий вкладыш. Проверьте наличие зазора между губами адаптера.

По ссылке вы можете найти ответы на наиболее часто задаваемые вопросы о тепловидении  
<https://www.pulsar-nv.com/glo/ru/podderzka/tchasto-zadavaemye-voprosy/91>



**Электромагнитная совместимость.**

Данный продукт соответствует требованиям европейского стандарта EN 55032:2015, Класс А.

**Внимание:** эксплуатация данного продукта в жилой зоне может создавать радиопомехи.

**Внимание!** Цифровые ночные приборы Forward требуют лицензии, если они экспортируются за пределы Вашей страны.



**Приоритет защиты окружающей среды!**

Ваш прибор содержит ценные материалы, которые можно восстановить или переработать  
Оставьте в местном пункте сбора отходов.