

Bushnell®



NITRO™

RIFLESCOPE OWNER'S GUIDE

| LANGUAGE | PAGE |
|--|--------------|
| ENGLISH | 3-13 |
| Special Instructions for EU Models Only | 12 |
| FRANÇAIS | 14-24 |
| Instructions spéciales pour modèles européens uniquement | 23 |
| ESPAÑOL | 25-35 |
| Instrucciones especiales solo para modelos de la UE | 34 |
| DEUTSCH | 36-46 |
| Besondere Anweisungen nur für EU-Modelle | 45 |
| ITALIANO | 47-57 |
| Istruzioni speciali solo per i modelli UE | 56 |

Congratulations on your purchase of a **Bushnell® Nitro™** riflescope! You are now the owner of one of the most technologically advanced riflescopes in the industry. Bushnell maintains absolute product integrity and quality control throughout the entire design, production, and delivery cycle of these riflescopes.



WARNING: NEVER LOOK AT THE SUN THROUGH THE RIFLESCOPE (OR ANY OTHER OPTICAL INSTRUMENT). IT MAY PERMANENTLY DAMAGE YOUR EYES.

NITRO RIFLESCOPE FEATURES

Hunters and precision shooters alike can find a Bushnell® Nitro™ riflescope to fit their needs. All configurations are built to withstand every environment. The fully-multi coated optics deliver bright, high-contrast images with minimal eyestrain. Whatever the scenario, Nitro™ riflescopes have a solution.

All exterior lens surfaces have our new EXO Barrier™ coating. EXO Barrier, quite simply, is the best protective lens coating technology Bushnell has ever developed. Added at the end of the coating process, EXO Barrier molecularly bonds to the lens and fills the microscopic pores in the glass. The result is an ultra-slick coating that repels water, oil, fog, dust and debris - rain, snow, fingerprints and dirt will not stick. EXO Barrier is built to last: the bonded coating will not fade with the passage of time or normal wear and tear.

All Nitro riflescope models feature:

- **CLARITY** - The best resolution and contrast in all lighting conditions
- **HIGH LIGHT TRANSMISSION** - Ultra Wide Band Coating enables optimum brightness and true color in every lighting condition
- **SIDE PARALLAX** - Easily correct parallax error without removing eyes from the target
- **VARIETY** - Multiple configurations include capped or target turrets, first-and second-focal plane models and multiple ballistic reticle options to meet every need
- **SCOPE COVERS** - Included Butler Creek® Flip-Up Scope Covers protect lenses from dust, debris
- **SUN SHADE** - Included 2.5-inch sunshade aids in target acquisition on bright days

CARING FOR YOUR RIFLESCOPE

Your scope needs very little maintenance. Exterior metal surfaces should be kept clean. A light dusting with a slightly dampened soft cloth is enough in most cases.

Your new scope features windage and elevation turrets that are completely sealed against water intrusion. However, we recommend that you keep the windage and elevation caps on the turrets (*models with capped adjustments only*), except when making adjustments, to prevent dust and dirt from collecting in the turret area.

We also recommend that lens covers be kept in place when the scope is not being used. Lenses should be inspected regularly and kept clean at all times. Dust, dirt, and fingerprints that collect on the lens surfaces will severely degrade image quality, and if left unclean for long periods, the anti-reflection coating could be damaged. Although lens cleaning is not difficult, it does require care and some patience.

- Start with a lens brush or a small, soft bristle paintbrush. Gently whisk away loose dirt particles.
- Next, use an ear syringe or bulb aspirator (available in most drug stores) to blow remaining dirt or dust from lens surfaces.
- If further cleaning is needed, use a dry, soft lint-free cloth. Very gently wipe the lens, starting at the center using a circular motion, then working outward to the edge.
- If this has not corrected the problem repeat the process using condensation from your breath.

KEY ELEMENTS OF A SCOPE

There are four major elements of a scope:

1. **Objective Lens:** This lens has three functions. First, it permits light to pass into the scope. Second, it determines resolution. Generally, larger lenses allow more light to enter the scope and resolve details better than smaller ones. Finally, it forms an image for the other lenses to magnify to a usable size. The image formed by this lens is upside down.
2. **Erector System:** The erector system serves three functions. Its primary function is to erect the image (that is, flips the image right-side up) and align it to the reticle. During this process, primary magnification of the image takes place. These two functions are the result of lens action.



PARTS GUIDE

The third function is a mechanical one. The erector lenses are housed in a tube that is fixed at one end, while the other end of the tube is free to move and respond to dial adjustments. By moving the erector system, the point-of-aim of the scope is adjusted to match the point-of-impact of the bullet.

3. **Reticle:** In simple terms, the aiming device around which the scope is built. This element replaces the iron sight system of non-scoped rifles.
4. **Ocular or Eye Lens:** This element provides the secondary and final magnification of the image.

MOUNTING YOUR SCOPE

Your new scope, even with its technologically advanced design and features, will not perform at its best if not properly mounted. One of the most important contributing factors to the accuracy of your scope and rifle is the selection of the mount and the care with which mounting is done. Dependable mounts that attach your scope solidly to the rifle will reward you with dependability and consistent accuracy. You should take as much care in selecting a mounting system as you did in selecting your scope.

Remember, not all scopes are compatible with all mounts on all rifles. If there is any doubt in your mind, you should seek the advice of your local retailer or gunsmith.



WARNING: A SCOPE SHOULD NEVER BE USED AS A SUBSTITUTE FOR EITHER A BINOCULAR OR SPOTTING SCOPE. IT MAY RESULT IN YOU INADVERTENTLY POINTING THE GUN AT ANOTHER PERSON.

PRELIMINARY SCOPE ADJUSTMENTS

Before installing the scope, we recommend you set the focus of the eyepiece to fit your individual visual requirement. Refocusing the ocular distance will result in a sharper reticle focus, an improved optical image, and will help to avoid eye fatigue when using the scope over prolonged periods of time. To refocus, hold the scope about 3 to 4 inches from your eye and point at the open sky or other flatly lit area such as a monotone painted wall.

Quickly glance into the scope. If the reticle appears blurred at first glance, it is out of focus. Turn the eyepiece clockwise or counter clockwise several turns. Glance into the scope again to check the sharpness of the reticle. Remember to take quick glances, as the eye will compensate for slightly out of focus conditions with prolonged looks. If the reticle still appears blurred, turn the eyepiece another two or three turns. Repeat this procedure until the reticle is sharp and clearly defined.

Unless your eyes undergo a significant change over the years, you will not have to make this adjustment again.

ATTACHING A MOUNT, RINGS AND SCOPE TO YOUR RIFLE



WARNING: BEFORE BEGINNING THE MOUNTING PROCEDURE, BE SURE THE ACTION IS OPEN, THE CLIP OR MAGAZINE IS REMOVED AND THE CHAMBER IS CLEAR. DO NOT ATTEMPT ANY WORK UNTIL YOUR FIREARM HAS BEEN CLEARED AND DETERMINED TO BE SAFE.



WARNING: IF THE SCOPE IS NOT MOUNTED FAR ENOUGH FORWARD, ITS REARWARD MOTION MAY INJURE THE SHOOTER WHEN THE RIFLE RECOILS.

In mounting your scope, we recommend that you DO NOT take short cuts as it may lead to damage to either the mounting system or to the scope. Each mounting system will have its own instructions to follow, and it is best to read the instructions first to be sure you understand them and have the necessary tools on hand.

We further recommend that you plan to go through the mounting procedure twice. The first time, to be sure everything fits together and functions properly. On the first run through, please keep the following in mind:

- Before attaching the base, clean the mounting holes in the receiver and the threads of the attaching screws with acetone or any good solvent to free them of oil or grease.
- If the mount manufacturer has recommended the use of a thread adhesive, do not use it on the first mounting trial. Once adhesive has set, it is difficult to demount if anything needs correction.
- Be sure the mounting screws do not protrude into the receiver or the barrel.
- When using dovetail mounts, do not use the scope as a lever when installing the scope. The initial resistance to turning may cause damage to the scope, and is not covered by the warranty. We recommend using a 1" wooden dowel or metal cylinder to seat the rings.
- Be sure the position of the scope does not interfere with the operation of the action.
- Be sure there is at least 1/8" of clearance between the edges of the rings and any protruding surfaces such as the turret housing (saddle), power selecting ring, and the flare of the objective bell. Also be sure there is at least 1/8" of clearance between the objective bell and the barrel.
- You should test position the scope for the proper eye relief. The scope rings should be left loose enough so that the scope will slide easily. Variable power scopes should be set at the highest magnification when performing this procedure. Mount the rifle and look through the scope in your normal shooting position.
- Test position the rifle for the proper cheek weld a number of times to ensure that your scope is positioned properly.
- When you are satisfied that everything is okay, demount and start again. This time, seat all screws firmly.

PARALLAX ADJUSTMENT / SIDE FOCUS

The Parallax Knob or Side Focus adjustment corrects Parallax error. Parallax error is experienced when the intended target and the reticle are not on the same focal plane. The side focus adjustment relocates an optical element within the scope, manipulating the incoming image to appear on the same focal plane as the reticle within the riflescope, thus eliminating parallax error. Parallax error results in inconsistencies regarding point of impact. This can be best experienced by looking at a 100 yard target with the side focus set to 500 yards. While slightly moving your head left and right, or up and down, you will notice movement at the location where the crosshairs intersect. However, if you change your side focus adjustment to 100 yards while looking at the 100 yard target, the intersection of the crosshairs will not move. Please note the distance markings on the dial are intended as reference points only. Exact side focus adjustments may be needed after making adjustments to the eyepiece in order to achieve a high resolution, parallax free image.

PRELIMINARY SIGHTING-IN

You can save a significant amount of expense and frustration by pre-sighting the scope to the rifle before you take it to the range for zeroing.

There are two basic methods that can be used for pre-sighting your scope. Method one is to use a Bushnell® Bore Sighter (laser, magnetic or standard). The use of a Bore Sighter saves time and ammunition and is the system most often used by gunsmiths. The second method is traditional bore sighting:

BORE SIGHTING METHOD

1. Place a target at 25 to 50 yards.
2. Remove the bolt from the rifle.
3. Place the rifle on sandbags or a shooting rest.
4. Set the scope to its lowest magnification.

- Peer through the bore from the receiver and adjust the position of the rifle to center the target bull's eye in the bore (*Fig. A*).
- Without moving the rifle, look into the scope and note the position of the reticle on the target. On models with capped elevations and windage adjustments, remove the caps. Adjust the windage and elevation adjustments to center the reticle on the bull's eye (*Fig. B*).

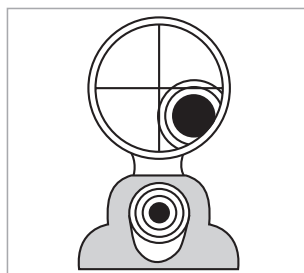


Fig. A
Reticle not in alignment

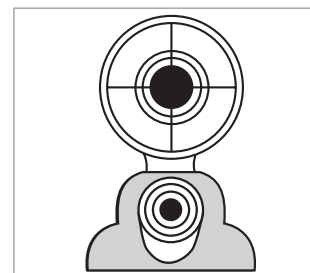


Fig. B
Reticle in alignment

FINAL SIGHTING-IN



WARNING: SINCE THIS PROCEDURE INVOLVES LIVE FIRE, IT SHOULD BE DONE AT AN APPROVED RANGE OR OTHER SAFE AREA. CHECK BORE FOR OBSTRUCTIONS. AN OBSTRUCTED BORE MAY CAUSE INJURY TO YOU AND OTHERS NEARBY. EYE AND EAR PROTECTION IS RECOMMENDED.

- From a steady rest position, fire two or three rounds at a 100-yard target. Note the impact of the bullet on the target and adjust the windage and elevation dials as needed.
- To move the bullet impact, turn the windage and/or elevation adjustments in the direction on the dials that corresponds to where the impact point falls on the target (for example, if test shots are hitting low, adjust elevation "down"). If the adjustments on your riflescope model are marked in MOA (minutes of arc), the point of impact at 100 yards will change by 1/4 MOA for each click of the windage or elevation adjustment (or 0.34 inches per click if your adjustments are marked in Mils). One full revolution of the adjustment=15 MOA (or 10 Mils on Mil based models).
- When the impact on the 100-yard target is satisfactory, switch to a target set at the desired distance for final zeroing. Set the magnification to the desired power on variable power models.

RESETTING THE TARGET TURRET INDEX TO ZERO

After zeroing in your rifle:

- Unscrew the outer cap covering the turret (rotate it counterclockwise), and set it aside (*Fig. 1*).
- Holding the turret in place so it doesn't rotate, unscrew (CCW) the flat cover on the top of the turret and set it aside (*Fig. 2*).
- Pull the loose turret ring up and off of the scope then reposition it so that zero ("0") on the turret ring's scale is lined up with the white index mark when you place the turret ring back down onto the turret body (*Fig. 3*).
- Replace the flat cover on the turret top, rotating it clockwise until finger tight (do not overtighten). Replace the outer cover cap.



FIRST AND SECOND FOCAL PLANE RETICLES

Some Nitro riflescopes covered by this manual have their reticles located in the first focal plane ("FFP"). Therefore, the reticle will increase in size when the magnification is increased. This feature allows the continued use of the MOA or Mil measurement system contained in the reticle, regardless of the power setting. Second focal plane ("SFP") reticles maintain a constant reticle size, but require the user to make measurements at a specific power, as the reticle remains the same size and will not account for different magnification levels.

THE BUSHNELL DEPLOY™ MOA RETICLE

The Bushnell® Deploy™ MOA reticle is designed for versatility. It has value for hunters, target shooters, devotees of multiple calibers – anyone who is looking for flexibility in an optic. The 0.18 MOA thick crosshairs are easy to see without obstructing the target picture. There are hashmarks at every 1 MOA for accurate elevation holdover. The hashmarks below zero are 2 MOA wide, to aid in accurate windage holds. With accurate ballistic calculations, the Deploy MOA reticle delivers accurate shots, every time.

SIGHTING IN / AIMING POINTS

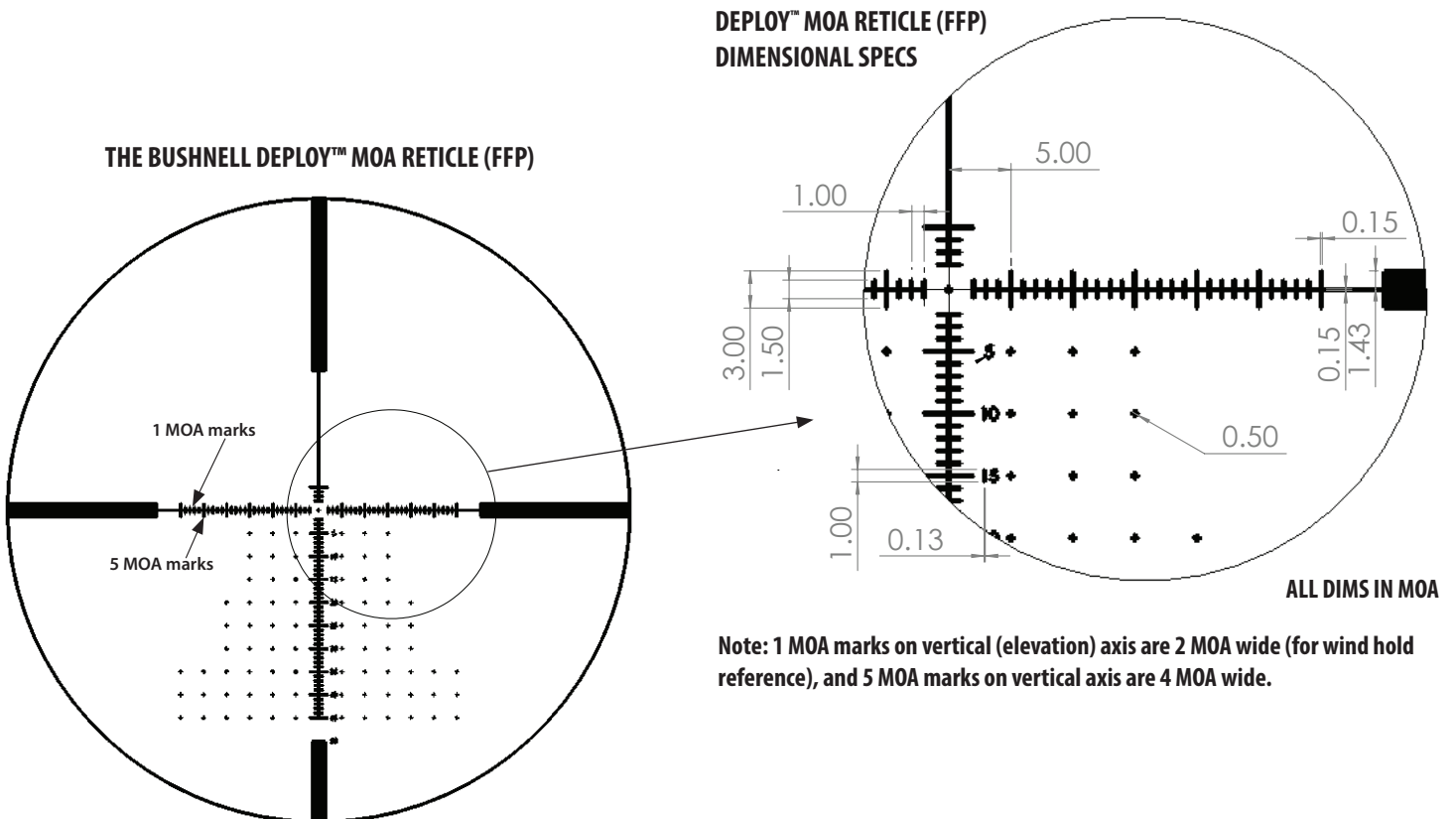
The Deploy MOA reticle is intended to be sighted in at 100 yards, and is calibrated in MOA (minutes of arc). The reticle has wider markings every 5 MOA. The user can sight-in at 100 yds on any magnification setting, but for the Deploy MOA reticle feature (range and windage marks) to function properly in SFP models (see “Technical Specs” table), the scope’s magnification must be set to the highest power (with the exception of the 6-24x50 model, which should be set to **20x**). The correct settings for the Nitro models that include the Deploy MOA reticle in the second focal plane are shown in the chart on the right.

| Model | Set to: |
|-------------|------------|
| 2.5-10x44mm | 10x |
| 3-12x44mm | 12x |
| 4-16x44mm | 16x |
| 5-20x44mm | 20x |
| 6-24x50mm | 20x |

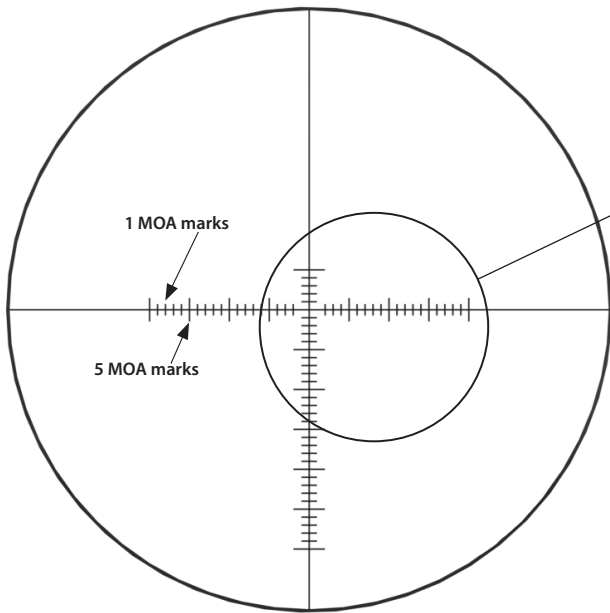
COMPENSATING FOR THE EFFECTS OF WIND / AIMING POINTS

The Deploy MOA reticle also incorporates windage hold points on the horizontal axis in the reticle to aid in compensation for the wind’s effect on bullet trajectory. Windage hold marks are spaced at 1 MOA intervals, with heavier marks every 5 MOA. The first few 1 MOA marks on the vertical (elevation) axis are also useful for windage purposes, as each mark is 2 MOA in width. To use the windage hold marks, first determine a range to the target using a Bushnell laser rangefinder (or by using the reticle to estimate distance-see the next section of this manual). Once the range to target is available, an estimate of wind velocity must be made. The reticle can then be elevated to the correct yardage mark and then moved horizontally into the wind direction using the MOA wind marks on the Deploy reticle in order to compensate for bullet drop and wind drift. Illustrations of the reticle markings are shown below.

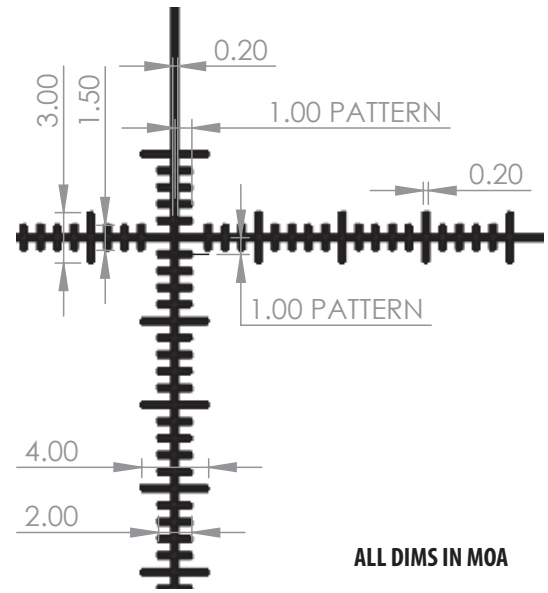
The Deploy reticle is designed to be used with any caliber, bullet weight and velocity. Simply run the ballistics with a known velocity, BC, zero distance and environmental data to get your MOA drop points at various distances. Illustrations of the reticle markings are shown below (Deploy FFP version) and on the next page (Deploy SFP version).



THE BUSHNELL DEPLOY™ MOA RETICLE (SFP)



**DEPLOY™ MOA RETICLE (SFP)
DIMENSIONAL SPECS**



Note: 1 MOA marks on vertical (elevation) axis are 2 MOA wide (for wind hold reference), and 5 MOA marks on vertical axis are 4 MOA wide.

RANGING WITH YOUR DEPLOY MOA RETICLE

There's an inverse relationship between how big an object appears and how far away it is. As the distance to an object increases, the size of the object appears to decrease. For example, say you are looking at an object that is 100 yds away. If you moved the object closer so it was half that distance (50 yds) from your location, it would appear to be twice as large (or half the size at 200 yds).

The relationship between your distance to an object and its perceived size allows you to estimate distance based on how big or small the object appears, by using the marks in your reticle to measure its height or width in MOA (Minute of Angle) or Mil (Milliradians). Using the apparent measurement of the target, you can determine the distance to the target. In order for this to work, you have to know the size of the target.

To calculate a target's distance with MOA, multiply the known size of the target in inches by 95.5 and then divide that number by the size of the target measured in MOA through your scope:

$$\frac{\text{The Measured Object's Width or Height in Inches} \times 95.5}{\text{Object's Width or Height in MOA}} = \text{Range in Yards}$$

This formula can also be used to estimate the range in meters, by using 87.3 as the multiplier instead of 95.5, but still entering the object's height or width in inches.

Looking through your scope (if an SFP model, be sure power is set per chart on previous page), select an object at the distance you want to range -- an object whose width or height you know or can estimate accurately. Man-made objects of uniform size, such as fenceposts, are best, but any object of known dimensions will do. Measure the object's height or width carefully in MOA, compute it according to the formula and you will find its range. Support your rifle and be precise when measuring objects; any measuring error causes an error in the computed range. Equally, a mistake in estimating the object size results in a proportional range error.

Here's an example: A coyote is sunning himself in a snowfield beside a fencepost; having crossed the fence earlier, you know that the post is about four feet high, or 48 inches. The fencepost measures 7 MOA in your reticle.

$$\frac{48 \text{ inches} \times 95.5}{7 \text{ MOA}} = \frac{4584}{7} = 655 \text{ Yards}$$

Unlike the Mil formula (see next section), this formula should only be used when working with target sizes in inches and distances in yards. If needed, however, there are alternate numbers that can be used in the formula.

THE BUSHNELL DEPLOY™ MIL RETICLE

The Bushnell® Deploy™ Mil reticle provides a very accurate means of range estimation. The mil markings also allow precise leads for moving targets and exact compensation for shooting in a crosswind. There are hashmarks at every 0.5 Mil for accurate elevation holdover. With accurate ballistic calculations, the Deploy MOA reticle delivers accurate shots, every time.

SIGHTING IN / AIMING POINTS

The Deploy Mil reticle is intended to be sighted in at 100 yards, and is calibrated in Mil (Milrads). The reticle has wider markings every 5 Mils. The user can sight-in at 100 yds on any magnification setting, as all Deploy Mil models are FFP.

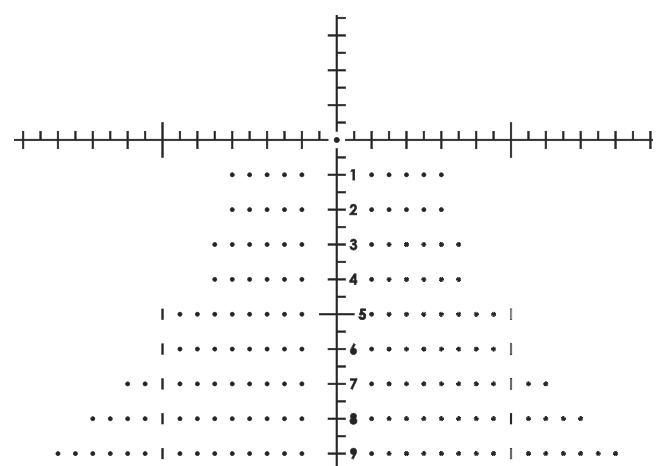
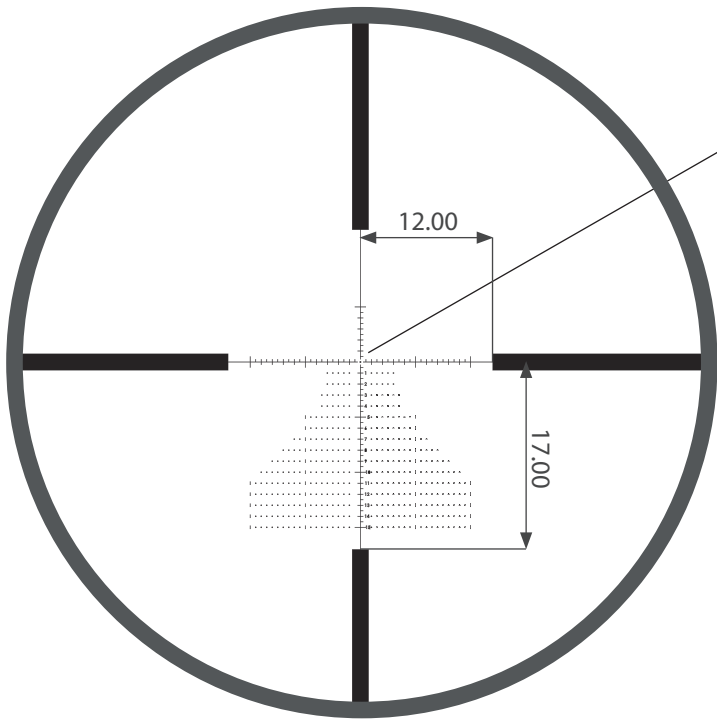
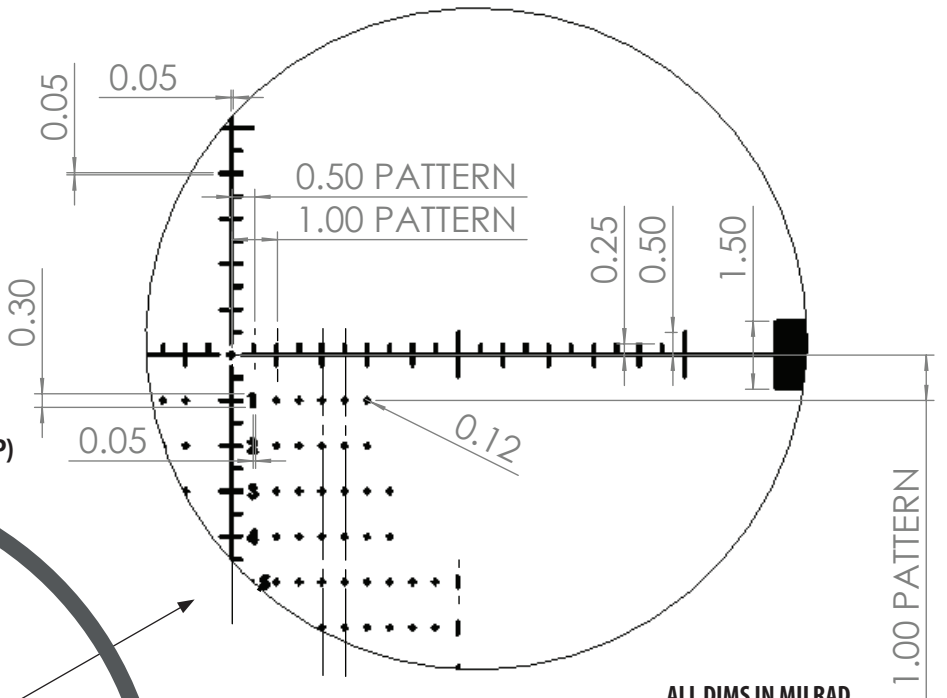
COMPENSATING FOR THE EFFECTS OF WIND / AIMING POINTS

The Deploy Mil reticle also incorporates windage hold points on the horizontal axis in the reticle to aid in compensation for the wind's effect on bullet trajectory. Windage hold marks are spaced at 0.5 Mil intervals, with longer marks every 5 Mil. The first few 1 Mil marks on the vertical (elevation) axis are also useful for windage purposes, as each mark is 2 Mil in width. To use the windage hold marks, first determine a range to the target using a Bushnell laser rangefinder. Once the range to target is available, an estimate of wind velocity must be made. The reticle can then be elevated to the correct yardage mark and then moved horizontally into the wind direction using the Mil wind marks on the Deploy reticle in order to compensate for bullet drop and wind drift. Illustrations of the reticle markings are shown below.

The Deploy MIL reticle is designed to be used with any caliber, bullet weight and velocity. Simply run the ballistics with a known velocity, BC, zero distance and environmental data to get your Mil drop points at various distances.

DEPLOY™ MIL RETICLE DIMENSIONAL SPECS

THE BUSHNELL DEPLOY™ MIL RETICLE (FFP)



RANGING WITH YOUR MIL-DOT RETICLE

The mil is an angular measurement -- 1/6400th of a circle -- which equals almost precisely one yard at 1000 yards, or one meter at 1000 meters. This proportional relationship makes possible a simple formula to compute distances:

$$\frac{\text{The Measured Object's Width or Height in Yards} \times 1000}{\text{Object's Width or Height in Mils}} = \text{Range in Yards}$$

This formula works equally well with meters, but don't mix meters and yards: Measure the object in yards to find the distance in yards, use meters to yield distances in meters.

Looking through your scope, select an object at the distance you want to range -- an object whose width or height you know or can estimate accurately. Man-made objects of uniform size, such as fenceposts, are best, but any object of known dimensions will do. Measure the object's height or width carefully in mils, compute it according to the formula and you will find its range. Support your rifle and be precise when measuring objects; any measuring error causes an error in the computed range. Equally, a mistake in estimating the object size results in a proportional range error.

Here's an example: A coyote is sunning himself in a snowfield beside a fencepost; having crossed the fence earlier, you know that the post is about four feet high, or 1.33 yards. The fencepost measures 2.5 mils in your reticle.

$$\frac{1.33 \text{ yards} \times 1000}{2.5 \text{ Mils}} = \frac{1330}{2.5} = 532 \text{ Yards}$$

ALTITUDE AND TEMPERATURE

Ballistic charts published by ammunition manufacturers are based upon standard sea level conditions. When sighting in, it is well to keep in mind that altitude and temperature affect trajectory. It is best to sight-in under the same conditions in which you will be hunting.

DO YOU NEED TO SEND YOUR SCOPE TO US?

Before returning your scope for service, you should check the following points to make sure the problem is with the scope:

- Check the mounting system and rings for looseness or misalignment.
- Check to be sure the barrel and action are properly bedded and all receiver screws are tight.
- Check to be sure the mounting system allows sufficient clearance between the objective bell and the barrel.
- Check to be sure you are using the same type and weight ammunition that you used for sighting-in.

TECHNICAL SPECS

| MODEL # | MAGNIFICATION & OBJ. DIAM. | RETICLE | FOCAL PLANE | ELEV/WIND TRAVEL (MOA) | TRAVEL PER REVO | EYE RELIEF (MAX PWR) | FIELD OF VIEW (FT @ 100 YDS) | WEIGHT (OZ.) | LENGTH (IN.) |
|--------------|----------------------------|-----------------|-------------|------------------------|-----------------|----------------------|------------------------------|--------------|--------------|
| RN2104BS1 | 2.5-10x44 | DEPLOY MOA | SFP | 60/60 | 15 MOA | 3.7" | 37-9.5 | 23.9 | 13.6" |
| RN2104BS3 | 2.5-10x44 | Multi-X | SFP | 60/60 | 15 MOA | 3.7" | 37-9.5 | 23.9 | 13.6" |
| RN2104GS1 | 2.5-10x44 | DEPLOY MOA | SFP | 60/60 | 15 MOA | 3.7" | 37-9.5 | 23.9 | 13.6" |
| RN2104GS3 | 2.5-10x44 | Multi-X | SFP | 60/60 | 15 MOA | 3.7" | 37-9.5 | 23.9 | 13.6" |
| RN2104BF1 | 2.5-10x44 | DEP. MOA FFP | FFP | 60/60 | 15 MOA | 3.7" | 37-9.5 | 23.9 | 13.6" |
| RN2104GF1 | 2.5-10x44 | DEP. MOA FFP | FFP | 60/60 | 15 MOA | 3.7" | 37-9.5 | 23.9 | 13.6" |
| RN2104BF2 | 2.5-10x44 | DEP. MIL FFP | FFP | 17.9 MIL/17.9 MIL | 10 MIL | 3.7" | 37-9.5 | 23.9 | 13.6" |
| RN3124BS1 | 3-12x44 | DEPLOY MOA | SFP | 90/90 | 15 MOA | 3.9" | 33.5-9 | 24.2 | 13.7" |
| RN3124BS3 | 3-12x44 | Multi-X | SFP | 90/90 | 15 MOA | 3.9" | 33.5-9 | 24.2 | 13.7" |
| RN3124GS1 | 3-12x44 | DEPLOY MOA | SFP | 90/90 | 15 MOA | 3.9" | 33.5-9 | 24.2 | 13.7" |
| RN3124GS3 | 3-12x44 | Multi-X | SFP | 90/90 | 15 MOA | 3.9" | 33.5-9 | 24.2 | 13.7" |
| RN3124BF1 | 3-12x44 | DEP. MOA FFP | FFP | 90/90 | 15 MOA | 3.9" | 33.5-9 | 24.2 | 13.7" |
| RN3124GF1 | 3-12x44 | DEP. MOA FFP | FFP | 90/90 | 15 MOA | 3.9" | 33.5-9 | 24.2 | 13.7" |
| RN3124BF2 | 3-12x44 | DEP. MIL FFP | FFP | 26.8 MIL/26.8 MIL | 10 MIL | 3.9" | 33.5-9 | 24.2 | 13.7" |
| RN4164BS1 | 4-16x44 | DEPLOY MOA | SFP | 90/90 | 15 MOA | 3.6" | 23-6 | 23 | 13.9" |
| RN4164BS3 | 4-16x44 | Multi-X | SFP | 90/90 | 15 MOA | 3.6" | 23-6 | 23 | 13.9" |
| RN4164GS1 | 4-16x44 | DEPLOY MOA | SFP | 90/90 | 15 MOA | 3.6" | 23-6 | 23 | 13.9" |
| RN4164GS3 | 4-16x44 | Multi-X | SFP | 90/90 | 15 MOA | 3.6" | 23-6 | 23 | 13.9" |
| RN4164BF1 | 4-16x44 | DEP. MOA FFP | FFP | 90/90 | 15 MOA | 3.6" | 23-6 | 23 | 13.9" |
| RN4164GF1 | 4-16x44 | DEP. MOA FFP | FFP | 90/90 | 15 MOA | 3.6" | 23-6 | 23 | 13.9" |
| RN4164BF2 | 4-16x44 | DEP. MIL FFP | FFP | 26.8 MIL/26.8 MIL | 10 MIL | 3.6" | 23-6 | 23 | 13.9" |
| RN5204BS1 | 5-20x44 | DEPLOY MOA | SFP | 80/80 | 15 MOA | 3.7" | 19-5 | 24.06 | 13.9" |
| RN5204BS3 | 5-20x44 | Multi-X | SFP | 80/80 | 15 MOA | 3.7" | 19-5 | 24.06 | 13.9" |
| RN5204GS1 | 5-20x44 | DEPLOY MOA | SFP | 80/80 | 15 MOA | 3.7" | 19-5 | 24.06 | 13.9" |
| RN5204GS3 | 5-20x44 | Multi-X | SFP | 80/80 | 15 MOA | 3.7" | 19-5 | 24.06 | 13.9" |
| RN5204BF1 | 5-20x44 | DEP. MOA FFP | FFP | 80/80 | 15 MOA | 3.7" | 19-5 | 24.06 | 13.9" |
| RN5204GF1 | 5-20x44 | DEP. MOA FFP | FFP | 80/80 | 15 MOA | 3.7" | 19-5 | 24.06 | 13.9" |
| RN5204BF2 | 5-20x44 | DEP. MIL FFP | FFP | 23.9 MIL/23.9 MIL | 10 MIL | 3.7" | 19-5 | 24.06 | 13.9" |
| RN6245BS1 | 6-24x50 | DEPLOY MOA | SFP | 60/60 | 15 MOA | 3.6" | 16-4 | 26.3 | 14.4" |
| RN6245BS3 | 6-24x50 | Multi-X | SFP | 60/60 | 15 MOA | 3.7" | 16-4 | 26.3 | 14.4" |
| RN6245GS1 | 6-24x50 | DEPLOY MOA | SFP | 60/60 | 15 MOA | 3.7" | 16-4 | 26.3 | 14.4" |
| RN6245GS3 | 6-24x50 | Multi-X | SFP | 60/60 | 15 MOA | 3.7" | 16-4 | 26.3 | 14.4" |
| RN6245BF1 | 6-24x50 | DEP. MOA FFP | FFP | 60/60 | 15 MOA | 3.7" | 16-4 | 26.3 | 14.4" |
| RN6245GF1 | 6-24x50 | DEP. MOA FFP | FFP | 60/60 | 15 MOA | 3.7" | 16-4 | 26.3 | 14.4" |
| RN6245BF2 | 6-24x50 | DEP. MIL FFP | FFP | 17.9 MIL/17.9 MIL | 10 MIL | 3.7" | 16-4 | 26.3 | 14.4" |
| RN1624BS9 * | 1-6x24 | German #41 Thin | SFP | 45/45 | 100 cm | 90 mm | 38.1-3.7 m@100m | 482 g | 29.5 cm |
| RN2155BS9 * | 2.5-15x50 | German #41 Thin | SFP | 35/35 | 100 cm | 100 mm | 13.7-2.3 m@100m | 649 g | 39.0 cm |
| RN31856BS9 * | 3-18x56 | German #41 Thin | SFP | 42/42 | 100 cm | 100 mm | 11-2 m@100m | 629 g | 37.3 cm |

* available in EU only, these models have illuminated German #41 Thin reticles. See next page for additional information.

Special Instructions for European Models Only (RN1624BS9/RN2155BS9/RN31856BS9)

ILLUMINATED RETICLE OPERATION/BATTERY REPLACEMENT (EU Models only)

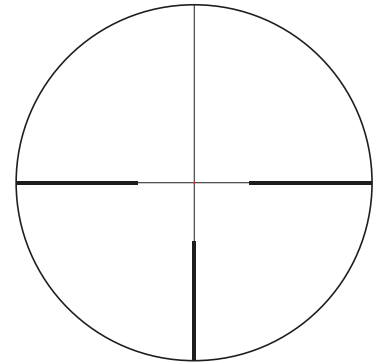
The red dot at the center of the reticle crosshairs is illuminated. The illumination adjustment dial is located opposite from the windage adjustment (at the end of the side focus knob on models RN2155BS9 and RN31856BS9), numbered from 1 to 6. To increase the brightness, set the control to a higher number (opposite the white index dot). To turn off the illumination and when storing the scope, set the dial to any of the "Off" positions (dots) between each numbered illumination setting.

To replace the battery, remove the cap on the brightness adjustment control knob using a coin (see photo, right), and insert a CR2032 battery with the "+" mark facing up.



GERMAN #4I RETICLE (EU Models only)

The German #4I Thin style reticle features bold, squared lines on the sides and bottom, which help the shooter to quickly locate the point of aim, especially in low light where the thinner reticle crosshairs may become difficult to see. The upper section of the field is kept free of obstruction. Red illumination of a central dot is also provided, making this an ideal reticle for twilight or early evening hunting applications.



BORE SIGHTING METHOD (EU Models only)

1. Place a target at 25 to 50 meters.
2. Remove the bolt from the rifle.
3. Place the rifle on sandbags or a shooting rest.
4. Set the scope to its lowest magnification.
5. Peer through the bore from the receiver and adjust the position of the rifle to center the target bull's eye in the bore (Fig. A).
6. Without moving the rifle, look into the scope and note the position of the reticle on the target. On models with capped elevations and windage adjustments, remove the caps. Adjust the windage and elevation adjustments to center the reticle on the bull's eye (Fig. B). Each "click" or increment on the adjustment will change bullet impact by 1 cm per 100 meters (0.5 cm at 50 meters, 2 cm at 200 meters, etc.)

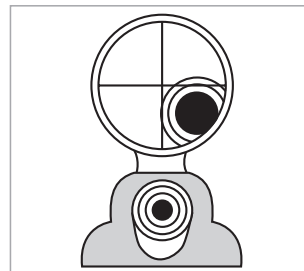


Fig. A
Reticle not in alignment

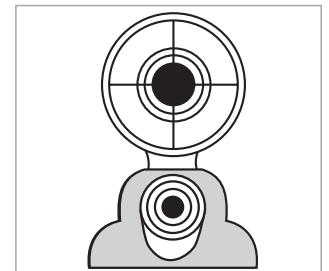


Fig. B
Reticle in alignment

FINAL SIGHTING-IN (EU Models only)



WARNING: SINCE THIS PROCEDURE INVOLVES LIVE FIRE, IT SHOULD BE DONE AT AN APPROVED RANGE OR OTHER SAFE AREA. CHECK BORE FOR OBSTRUCTIONS. AN OBSTRUCTED BORE MAY CAUSE INJURY TO YOU AND OTHERS NEARBY. EYE AND EAR PROTECTION IS RECOMMENDED.

1. From a steady rest position, fire two or three rounds at a 100-meter target. Note the impact of the bullet on the target and adjust the windage and elevation dials as needed.
2. To move the bullet impact, turn the windage and/or elevation adjustments in the direction on the dials that corresponds to where the impact point falls on the target (for example, if test shots are hitting low, adjust elevation "down"). The adjustments on your riflescope model are marked in CM (centimeters), and the point of impact at 100 meters will change by 1 cm for each click of the windage or elevation adjustment. One full revolution of the adjustment=100 cm.
3. When the impact on the 100-meter target is satisfactory, switch to a target set at the desired distance for final zeroing. Set the magnification to the desired power on variable power models.



BUSHNELL IRONCLAD WARRANTY

Products manufactured on or after April 2017 are covered by the Bushnell Ironclad Warranty. The Ironclad Warranty is a full lifetime warranty that covers the lifetime of this Product. Each Product has a defined lifetime; lifetimes can range from 1 to 30 years. This Product's lifetime can be found at the website listed below and/or on the Bushnell webpage specific to this Product.

We warrant that this Product is free from defects in materials and workmanship and will meet all represented performance standards for the lifetime of this Product. If this Product isn't working properly due to a covered defect, we will, at our option, either repair or replace it and ship it back to you at no charge. This warranty is fully transferable and does not require a receipt, warranty card, or product registration. This warranty does not cover the following: electronic components; batteries; cosmetic damage; damage caused by failing to properly maintain the product; loss; theft; damage as a result of unauthorized repair, modification, or disassembly; intentional damage, misuse, or abuse; and ordinary wear and tear. This Warranty will be void if the date stamp or other serialization codes have been removed from the Product.

To view the full warranty and find details on how to request service under the warranty, go to our website at www.bushnell.com/warranty. Alternatively, you can request a copy of the warranty by calling us at 1-800-423-3537 or writing to us at one of the following addresses:

IN U.S.A. Send To:

Bushnell Outdoor Products
Attn.: Repairs
9200 Cody
Overland Park, Kansas 66214

IN CANADA Send To:

Bushnell Outdoor Products
Attn.: Repairs
140 Great Gulf Drive, Unit B
Vaughan, Ontario L4K 5W1

For products purchased outside the United States or Canada please contact your local dealer for applicable warranty information.

This warranty gives you specific legal rights.
You may have other rights which vary from country to country.

©2019 Bushnell Outdoor Products

Félicitations pour votre achat d'une lunette de visée **Bushnell® Nitro™** ! Vous venez d'acquérir l'une des lunettes de visée les plus avancées de l'industrie sur le plan technologique. Bushnell veille entièrement à l'intégrité et au contrôle qualité de cette lunette tout au long de son cycle de conception, de production et de livraison.



AVERTISSEMENT : NE REGARDEZ JAMAIS LE SOLEIL À TRAVERS LA LUNETTE DE VISÉE (OU TOUT AUTRE INSTRUMENT OPTIQUE). CECI POURRAIT ENDOMMAGER VOS YEUX DE FAÇON PERMANENTE.

CARACTÉRISTIQUE DE LA LUNETTE DE VISÉE NITRO

Les lunettes de visée Bushnell® Nitro™ répondent aussi bien aux besoins des passionnés de chasse qu'aux attentes des tireurs de précision. Chaque configuration a été conçue pour résister à n'importe quel environnement. Grâce à leurs optiques traitées multicouches toutes surfaces, elles offrent des images parfaitement nettes et contrastées, tout en limitant la fatigue visuelle. Les lunettes de visée Nitro™ s'adaptent à tous les scénarios.

Toutes les surfaces extérieures des lentilles utilisent notre nouveau revêtement EXO Barrier™. EXO Barrier est tout simplement la meilleure technologie de revêtement de protection des lentilles jamais développée par Bushnell. Ajouté à la toute fin du processus de revêtement, EXO Barrier se lie moléculairement à la lentille et remplit les pores microscopiques dans le verre. La protection ultra-lisse obtenue repousse l'eau, l'huile, le brouillard, la poussière et les débris. La pluie, la neige, les traces de doigts et la saleté n'y adhèrent pas. EXO Barrier est conçu pour durer : ce revêtement adhérent ne s'atténue pas au fil du temps ni en raison de l'usure normale.

Tous les modèles de lunettes de visée Nitro offrent les avantages suivants :

- **CLARTÉ** : la garantie d'une résolution et d'un contraste optimaux, quelles que soient les conditions d'éclairage
- **HAUTE TRANSMISSION LUMINEUSE** : un revêtement à bande ultra-large garantit une luminosité et un rendu colorimétrique optimaux quelles que soient les conditions d'éclairage
- **PARALLAXE LATÉRALE** : permet de corriger les erreurs de parallaxe en toute simplicité, sans quitter la cible des yeux
- **VARIÉTÉ** : de multiples configurations, comprenant des tourelles à capuchon ou des tourelles de visée, des modèles avec premier et second plan focal, ainsi que différentes options de réticule balistique afin de répondre à tous les besoins
- **CACHE-OBJECTIF** : caches escamotables Butler Creek® inclus pour protéger les lentilles des poussières et débris
- **PARE-SOLEIL** : un pare-soleil de 6,36 millimètres (2,5 pouces) (inclus) facilite l'acquisition de la cible les jours de forte luminosité

ENTRETIEN DE VOTRE LUNETTE DE VISÉE

Votre lunette nécessite très peu d'entretien. Les surfaces métalliques extérieures doivent rester propres. Un léger dépoussiérage avec un chiffon doux légèrement humidifié suffit dans la plupart des cas.

Votre nouvelle lunette comprend des tourelles de dérive et d'élévation entièrement étanches à l'eau. Cependant, nous vous recommandons de conserver les capuchons de dérive et d'élévation sur les tourelles (*modèles avec capuchon uniquement*), sauf lors des réglages, afin d'empêcher la poussière et la saleté de s'accumuler au niveau de la tourelle.

Nous vous recommandons également de maintenir les couvre-lentille en place lorsque vous n'utilisez pas la lunette. Les lentilles doivent être inspectées régulièrement et maintenues propres en permanence. La poussière, la saleté et les traces de doigts qui s'accumulent sur les surfaces de la lentille dégradent considérablement la qualité de l'image. De plus, si ces surfaces demeurent sales pendant de longues périodes, le revêtement antireflet peut être endommagé. Le nettoyage de la lentille n'a rien de compliqué. Toutefois, vous devez l'effectuer avec soin et faire preuve de patience.

- Utilisez pour commencer une brosse à lentille ou un petit pinceau à poils doux. Enlevez délicatement les particules de saleté en suspens.
- Ensuite, utilisez une seringue ou un aspirateur de mucosités (disponible dans la plupart des pharmacies) pour enlever la saleté ou la poussière restante sur les surfaces de la lentille.
- Si un nettoyage supplémentaire se révèle nécessaire, utilisez un chiffon sec, doux et non pelucheux. Essayez très délicatement la lentille en commençant au centre par un mouvement circulaire, puis en avançant de l'extérieur jusqu'au bord.
- Si cela ne résout pas le problème constaté, répétez le processus en utilisant la condensation de votre respiration.

ÉLÉMENTS CLÉS D'UNE LUNETTE

Une lunette comporte quatre éléments majeurs :

1. **Lentille d'objectif** : Cette lentille remplit trois fonctions. Tout d'abord, elle permet à la lumière de passer dans la lunette. Ensuite, elle détermine la résolution. Généralement, les lentilles de plus grande taille laissent pénétrer plus de lumière dans la lunette et permettent de mieux résoudre les détails que les lentilles de plus petite taille. Enfin, elle forme une image que les autres lentilles grossissent à une taille utilisable. L'image formée par cette lentille est à l'envers.
2. **Système érecteur** : Le système érecteur remplit trois fonctions. Sa fonction principale consiste à ériger l'image (c'est-à-dire, à la retourner pour la mettre à l'endroit) et à l'aligner sur le réticule. C'est pendant ce processus que s'effectue le grossissement principal de l'image. Ces deux fonctions sont le résultat de l'action de la lentille.



La troisième fonction est une fonction mécanique. Les lentilles érectrices sont logées dans un tube qui est fixé à une extrémité, tandis que l'autre extrémité du tube est libre de se déplacer et de répondre aux réglages du cadran. Lorsque le système érecteur est déplacé, le point de visée de la lunette est ajusté en fonction du point d'impact de la balle.

- 3. Réticule :** En termes simples, il s'agit du dispositif de visée autour duquel la lunette est construite. Cet élément remplace le système de mire en métal des fusils dépourvus de lunette.
- 4. Oculaire ou lentille oculaire :** Cet élément assure le deuxième et dernier grossissement de l'image.

MONTAGE DE VOTRE LUNETTE

Votre nouvelle lunette, malgré sa conception et ses caractéristiques technologiquement avancées, ne fonctionnera pas de manière optimale si elle n'est pas correctement montée. L'un des principaux facteurs contribuant à la précision de votre lunette et de votre fusil réside dans la sélection de la monture et le soin avec lequel le montage est effectué. Les montures qui fixent solidement votre lunette au fusil vous procureront une fiabilité et une précision constante. Accordez autant de soin à choisir un système de montage qu'à choisir votre lunette.

N'oubliez pas que les lunettes de visée ne sont pas toutes compatibles avec toutes les montures de fusil. Si vous avez le moindre doute, demandez conseil à votre détaillant ou à votre armurier.



AVERTISSEMENT : UNE LUNETTE NE DOIT JAMAIS ÊTRE UTILISÉE EN TANT QUE SUBSTITUT POUR DES JUMELLES OU UN TÉLESCOPE D'OBSERVATION. VOUS RISQUERIEZ DE POINTER LE FUSIL SUR UNE AUTRE PERSONNE PAR INADVERTANCE.

RÉGLAGES PRÉLIMINAIRES DE LA LUNETTE

Avant d'installer la lunette, nous vous recommandons d'effectuer la mise au point de l'oculaire en fonction de votre vue. Une nouvelle mise au point de la distance oculaire se traduira par une mise au point du réticule plus nette et une image optique améliorée, ce qui limitera la sensation de fatigue oculaire lorsque la lunette est utilisée pendant de longues périodes. Pour effectuer une nouvelle mise au point, maintenez la lunette à environ 7 à 10 centimètres (3 ou 4 pouces) de votre œil, puis pointez vers le ciel ouvert ou sur une autre zone présentant un éclairage plat, par exemple une peinture murale monotone.

Jetez rapidement un coup d'œil dans la lunette. Si le réticule apparaît flou au premier coup d'œil, c'est qu'il n'est pas mis au point. Tournez plusieurs fois l'oculaire dans le sens ou dans le sens inverse des aiguilles d'une montre. Jetez de nouveau un coup d'œil dans la lunette pour vérifier la netteté du réticule. N'oubliez pas de jeter des coups d'œil rapides, car l'œil compensera les conditions légèrement floues par des regards prolongés. Si le réticule est encore flou, tournez l'oculaire encore deux ou trois fois. Répétez cette procédure jusqu'à ce que le réticule soit net et clairement défini.

À moins que vos yeux ne subissent un changement important au cours des années, vous n'aurez plus à effectuer ce réglage.

RATTACHER UNE MONTURE, DES BAGUES ET UNE LUNETTE À VOTRE FUSIL



AVERTISSEMENT : AVANT DE COMMENCER LA PROCÉDURE DE MONTAGE, VÉRIFIEZ QUE LE MÉCANISME EST OUVERT, LE CLIP OU LE CHARGEUR RETIRÉ ET LA CHAMBRE VIDE. N'INTERVENEZ PAS AVANT DE VOUS ASSURER QUE L'ARME EST VIDE ET SÛRE.



AVERTISSEMENT : SI LA LUNETTE N'EST PAS MONTÉE SUFFISAMMENT EN AVANT, SON MOUVEMENT VERS L'ARRIÈRE PEUT BLESSER LE TIREUR AU MOMENT DU REcul DE L'ARME.

Lors du montage de votre lunette, nous vous recommandons de ne PAS prendre de raccourcis, car cela pourrait endommager le système de montage ou la lunette. Chaque système de montage comporte ses propres instructions qu'il convient de suivre. De plus, il est préférable de commencer par lire les instructions pour être sûr de les comprendre et de disposer des outils nécessaires à portée de main.

Nous vous recommandons en outre d'effectuer deux fois la procédure de montage. La première fois, pour être sûr que toutes les pièces sont bien installées et fonctionnent correctement. Au premier passage cependant, gardez à l'esprit les points suivants :

- Avant de fixer la base, nettoyez les trous de montage dans le récepteur et les filets des vis de fixation avec de l'acétone ou tout autre solvant jugé efficace pour retirer l'huile ou la graisse qui s'est accumulée.
- Si le fabricant de la monture recommande une colle à filetage, ne l'utilisez pas lors du premier essai de montage. Une fois que la colle prend, il est difficile de démonter l'ensemble si une pièce doit être corrigée.
- Vérifiez que les vis de montage ne pénètrent pas dans le récepteur ou le canon.
- Lorsque vous utilisez des montures en queue d'aronde, n'utilisez pas la lunette comme levier pour l'installer. La résistance initiale à la rotation peut endommager la lunette et cela n'est pas couvert par la garantie. Nous vous recommandons d'utiliser une cheville en bois de 1" ou un cylindre métallique pour installer les bagues.
- Vérifiez que la position de la lunette n'interfère pas avec le fonctionnement du mécanisme.
- Assurez-vous qu'il y a au moins 1/8" de jeu entre les bords des bagues et les surfaces en saillie telles que le logement de la tourelle (selle), la bague de sélection de portée et l'évasement du logement de l'objectif. Assurez-vous également qu'il y a au moins 1/8" de jeu entre le logement de l'objectif et le canon.
- Testez la position de la lunette pour obtenir un dégagement oculaire adéquat. Les bagues de la lunette doivent être suffisamment lâches pour que la lunette puisse coulisser facilement. Dans le cadre de cette procédure, les lunettes à portée variable doivent être réglées sur le grossissement maximal. Montez le fusil, puis regardez à travers la lunette en position de tir normale.
- Testez plusieurs fois la position du fusil pour déterminer le point de soudure approprié et afin de vous assurer que votre lunette est correctement positionnée.
- Dès que vous êtes satisfait, procédez au démontage, puis recommencez. Cette fois, vissez toutes les vis fermement.

RÉGLAGE DE LA PARALLAXE / MISE AU POINT LATÉRALE

Le réglage de la molette de parallaxe ou de la mise au point latérale permet de corriger les erreurs de parallaxe. Les erreurs de parallaxe se produisent lorsque la cible visée n'est pas sur le même plan focal que le réticule. Le réglage de mise au point latérale replace un élément optique dans la lunette, en manipulant l'image entrante pour la faire apparaître sur le même plan focal que le réticule dans la lunette de visée, de manière à supprimer l'erreur de parallaxe. L'erreur de parallaxe crée des incohérences au regard du point d'impact. Pour mieux s'en rendre compte, il suffit d'observer une cible se trouvant à 91 mètres (100 yards) lorsque la mise au point latérale est définie sur une distance de 457 mètres (500 yards). Si vous déplacez légèrement votre tête de gauche à droite ou de haut en bas, vous remarquerez un mouvement au point d'intersection des réticules. Mais si vous réglez la mise au point latérale sur 91 mètres (100 yards) tout en observant la cible à 91 mètres (100 yards), l'intersection des réticules reste parfaitement immobile. Nous attirons votre attention sur le fait que les marquages de distance figurant sur le cadran sont indiqués uniquement à titre de référence. Des réglages exacts de la mise au point latérale peuvent être nécessaires après l'ajustement de l'oculaire pour obtenir une image en haute résolution, sans parallaxe.

AJUSTEMENT PRÉLIMINAIRE

Épargnez-vous des dépenses inutiles et bien des frustrations en pré réglant la lunette sur le fusil avant d'amener ce dernier au champ de tir en vue de sa remise à zéro.

Deux méthodes de base vous permettent de pré régler votre lunette. La première méthode consiste à utiliser un collimateur de réglage Bushnell® (laser, magnétique ou standard). L'utilisation d'un collimateur de réglage permet de gagner du temps et d'économiser les munitions. C'est le procédé le plus utilisé par les armuriers. La deuxième méthode est le simbleautage traditionnel :

MÉTHODE DE SIMBLEAUTAGE

1. Placez une cible à une distance comprise entre 23 et 46 mètres (25/50 yards).
2. Retirez le boulon du fusil.
3. Placez le fusil sur des sacs de sable ou un repose-fusil.
4. Définissez la lunette sur son plus faible grossissement.

5. Regardez à travers l'alésage depuis le récepteur et ajustez la position du fusil pour centrer la cible dans l'alésage (Fig. A).
6. Sans bouger le fusil, regardez dans la lunette et notez la position du réticule sur la cible. Sur les modèles équipés de réglages de dérive et d'élévation, retirez les caches. Ajustez les réglages de dérive et d'élévation pour centrer le réticule sur la cible (Fig. B).

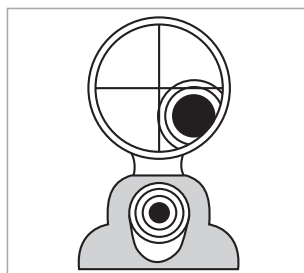


Fig. A
Réticule non aligné

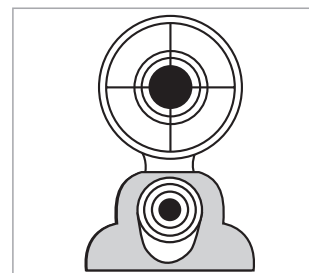


Fig. B
Réticule aligné

AJUSTEMENT FINAL



AVERTISSEMENT : DANS LA MESURE OÙ CETTE PROCÉDURE IMPLIQUE DE TIRER, ELLE DOIT ÊTRE EFFECTUÉE À UNE DISTANCE AUTORISÉE OU DANS TOUT AUTRE ESPACE SÉCURISÉ. VÉRIFIEZ QUE L'ALÉSAGE N'EST PAS OBSTRUÉ. UN ALÉSAGE OBSTRUÉ PEUT VOUS BLESSER OU BLESSER D'AUTRES PERSONNES À PROXIMITÉ. UNE PROTECTION DES YEUX ET DES OREILLES EST RECOMMANDÉE.

1. À partir d'une position de repos stable, tirez deux ou trois balles sur une cible située à 91 mètres (100 yards). Notez l'impact de la balle sur la cible et ajustez les cadrans de dérive et d'élévation selon les besoins.
2. Pour déplacer l'impact de la balle, tournez les réglages de dérive et/ou d'élévation dans le sens des cadrans. Cela correspond à l'endroit où le point d'impact se trouve sur la cible (par exemple, si les tirs d'essai sont bas, réglez l'élévation sur le bas). Si les réglages sur votre modèle de lunette de visée sont indiqués en MOA (minutes of arc), le point d'impact à 91 mètres (100 yards) change de 1/4" de MOA pour chaque clic du réglage de dérive ou d'élévation (ou de 0,8 centimètre (0,34 pouce) par clic si vos réglages sont indiqués en Mils). Une révolution complète du réglage = 15 MOA (ou 10 Mils sur les modèles indiqués en milliradians).
3. Lorsque l'impact sur la cible à 91 mètres (100 yards) est satisfaisant, passez à une cible définie à la distance souhaitée en vue de la remise à zéro finale. Réglez le grossissement sur la distance souhaitée pour les modèles à portée variable.

REMISE À ZÉRO DU REPÈRE DE LA TOURELLE

Après avoir ajusté la visée de votre fusil :

1. Dévissez le capuchon extérieur couvrant la tourelle (dans le sens inverse des aiguilles d'une montre), puis mettez-le de côté (Fig. 1).
2. Tout en maintenant la tourelle pour éviter tout pivotement, dévissez (dans le sens inverse des aiguilles d'une montre) le couvercle plat de la tourelle et mettez-le de côté (Fig. 2).
3. Tirez la bague de la tourelle vers le haut, retirez-la de la lunette, puis repositionnez-la de façon à ce que le repère « 0 » de la bague soit aligné avec le repère blanc lorsque vous replacez la bague sur le corps de la tourelle.(Fig. 3).
4. Remplacez le couvercle plat sur la tourelle, puis tournez-le dans le sens des aiguilles d'une montre (ne serrez pas trop). Remplacez le capuchon extérieur.

Fig. 1



Fig. 2



Fig. 3



RÉTICULES AU PREMIER ET SECOND PLAN FOCAL

Certains fusils Nitro présentés dans ce manuel sont équipés de réticules placés au premier plan focal (FPF). Cette configuration permet au réticule de s'agrandir lorsque le grossissement augmente. Cette fonctionnalité permet l'utilisation continue du système de mesure MOA ou Mil du réticule, indépendamment du grossissement. Les réticules au second plan focal (SFP) conservent la même taille, et demandent par conséquent d'effectuer des mesures pour chaque grossissement, étant donné que la taille du réticule ne change pas et ne prend pas en compte les différents niveaux de grossissement.

RÉTICULE MOA BUSHNELL DEPLOY™

Conçu pour offrir un maximum de polyvalence, le réticule MOA Bushnell® Deploy™ est le meilleur allié des chasseurs, des tireurs sur cible et des passionnés de fusils de différents calibres. Autrement dit, il est parfait pour tous ceux qui recherchent des performances optiques flexibles. Les réticules de 0,18 MOA d'épaisseur sont parfaitement visibles sans pour autant obstruer l'image de la cible. Pour un report d'élévation précis, des marques de graduation sont gravées à chaque intervalle de 1 MOA. En dessous de zéro, les marques de graduation apparaissent tous les 2 MOA afin d'améliorer la précision des arrêts de dérive. Grâce à des calculs balistiques précis, le réticule MOA Deploy garantit des tirs de haute précision, à tous les coups.

RÉGLAGE / POINTS DE VISÉE

Le réticule MOA Deploy est conçu pour être zéroé à 91 mètres (100 yards), et est calibré en MOA (minutes of arc). Le réticule possède des repères plus larges tous les 5 MOA. L'utilisateur peut viser à 91 mètres (100 yards) à n'importe quel grossissement. Toutefois, pour que le réticule MOA Deploy (repères de distance et de dérive) fonctionne correctement sur les modèles SFP (voir tableau des caractéristiques techniques), le grossissement de la lunette doit être réglé sur le grossissement maximal (à l'exception du modèle 6-24x50, qui doit être réglé sur **20x**). Les réglages des modèles Nitro possédant le réticule MOA Deploy au second plan focal sont indiqués dans le graphique de droite.

| Modèle | Défini sur : |
|-------------------------|--------------|
| 2,5-10 x 44 millimètres | 10 x |
| 3-12 x 44 millimètres | 12 x |
| 4-16 x 44 millimètres | 16 x |
| 5-20 x 44 millimètres | 20 x |
| 6-24 x 50 millimètres | 20 x |

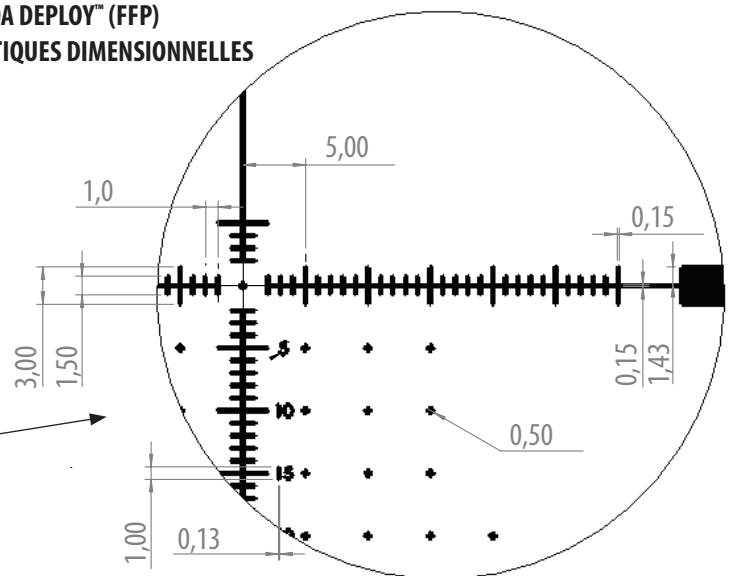
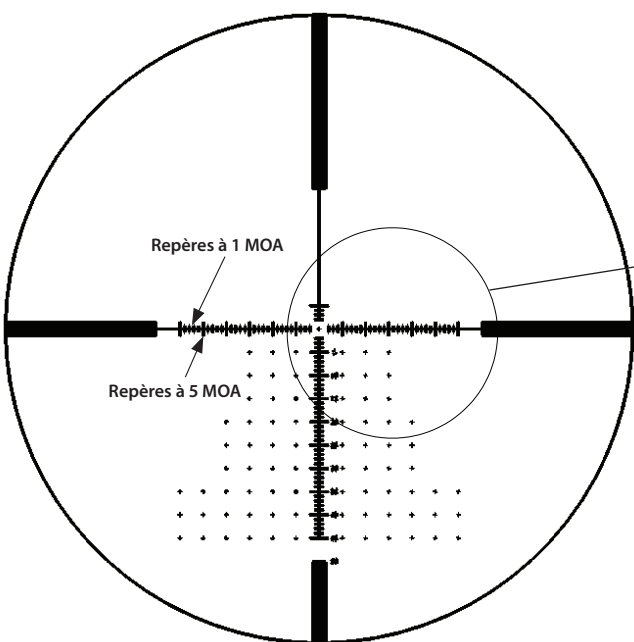
COMPENSATION DES EFFETS DU VENT / DES POINTS DE VISÉE

Le réticule MOA Deploy comprend également des points d'arrêt de dérive sur son axe horizontal, afin de compenser les effets du vent sur la trajectoire de la balle. Les repères d'arrêt de dérive sont espacés par des intervalles de 1 MOA, avec des repères plus prononcés tous les 5 MOA. Les premiers repères de 1 MOA sur l'axe vertical (élévation) servent également pour la dérive, étant donné que chaque repère possède une largeur de 2 MOA. Pour utiliser les repères d'arrêt de dérive, commencez par déterminer la distance de la cible à l'aide d'un télémètre laser Bushnell (ou à l'aide du réticule pour estimer la distance, voir la prochaine section de ce manuel). Dès que la distance à la cible est disponible, la vitesse du vent doit être estimée. Le réticule peut alors être relevé jusqu'au repère de mesure correct, puis déplacé horizontalement dans le sens du vent à l'aide des repères de dérive MOA sur le réticule Deploy afin de compenser la chute de balle et la dérive due au vent. Les marquages du réticule sont illustrés ci-dessous.

Le réticule Deploy a été conçu pour être utilisé avec n'importe quel calibre, quels que soient le poids et la vitesse de la balle. Utilisez simplement des balles dont vous connaissez la vitesse, le coefficient balistique, la distance de zéroage et les données environnementales pour obtenir vos points de chute MOA à différentes distances. Les marquages du réticule sont illustrés ci-dessous (version Deploy FFP) et sur la page suivante (version Deploy SFP).

RÉTICULE MOA DEPLOY™ (FFP) CARACTÉRISTIQUES DIMENSIONNELLES

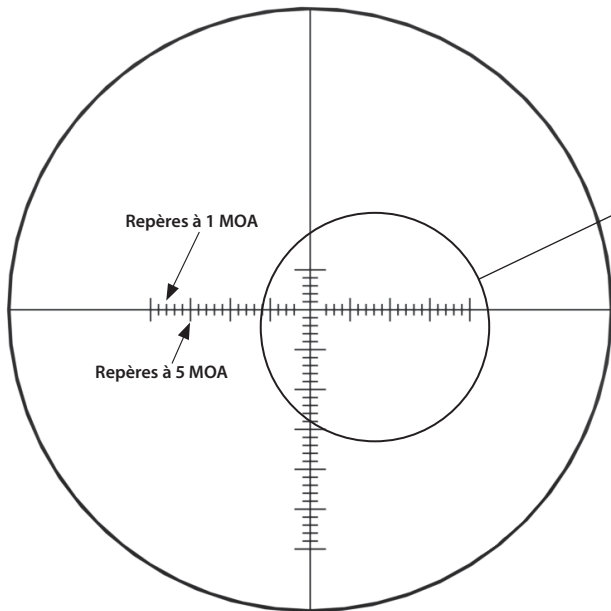
RÉTICULE MOA BUSHNELL DEPLOY™ (FFP)



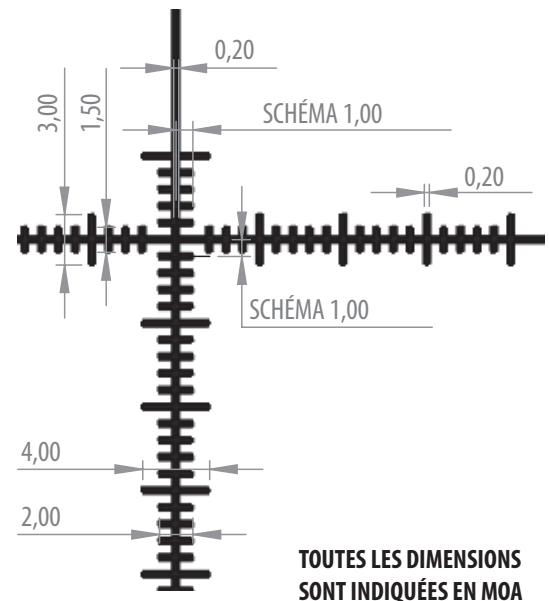
**TOUTES LES DIMENSIONS
SONT INDICUÉES EN MOA**

Remarque : Les repères à 1 MOA sur l'axe vertical (élévation) ont une largeur de 2 MOA (pour les points d'arrêt de dérive). Les repères à 5 MOA sur l'axe vertical ont une largeur de 4 MOA.

RÉTICULE MOA BUSHNELL DEPLOY™ (SFP)



RÉTICULE MOA DEPLOY™ (SFP) CARACTÉRISTIQUES DIMENSIONNELLES



Remarque : Les repères à 1 MOA sur l'axe vertical (élévation) ont une largeur de 2 MOA (pour les points d'arrêt de dérive). Les repères à 5 MOA sur l'axe vertical ont une largeur de 4 MOA.

VISÉE À DISTANCE AVEC UN RÉTICULE MOA DEPLOY

La taille apparente d'un objet est inversement proportionnelle à sa distance. À mesure qu'augmente la distance par rapport à un objet, la taille de cet objet semble diminuer. Imaginons, par exemple, que vous observiez un objet situé à une distance de 91 mètres (100 yards). Si vous rapprochez l'objet pour qu'il se trouve à la moitié de cette distance (64 mètres (50 yards)) sans changer votre propre position, il apparaîtra deux fois plus grand (ou, à l'inverse, deux fois plus petit à une distance de 182 mètres (200 yards)).

La relation entre votre distance par rapport à un objet et la taille perçue de cet objet vous permet d'estimer la distance selon que l'objet vous semble grand ou petit. Pour cela, vous pouvez utiliser les repères de votre réticule pour mesurer sa hauteur ou sa largeur en MOA (minute d'angle) ou en mils (milliradians). En utilisant la mesure apparente de la cible, vous pouvez déterminer votre distance par rapport à cette cible. Ce principe suppose de connaître la taille de la cible.

Pour calculer la distance d'une cible en MOA, multipliez la taille connue de la cible en pouces par 95,5, puis divisez le résultat par la taille de la cible mesurée en MOA à travers votre lunette :

$$\frac{\text{Largeur ou hauteur de l'objet mesuré en pouces} \times 95,5}{\text{Largeur ou hauteur de l'objet en MOA}} = \text{Distance en yards}$$

Cette formule peut également être utilisée pour estimer la distance en mètres, en utilisant un multiplicateur de 87,3 au lieu de 95,5, pour les mêmes hauteur et largeur en pouces.

En regardant à travers votre lunette (s'il s'agit d'un modèle SFP, assurez-vous que le grossissement est réglé selon le graphique de la page précédente), sélectionnez un objet à la distance que vous voulez couvrir - un objet dont vous connaissez ou pouvez estimer précisément la largeur ou la hauteur. Les objets de taille uniforme fabriqués par l'homme (par exemple, les poteaux de clôture) sont le choix idéal, mais tout objet dont vous connaissez les dimensions fera l'affaire. Mesurez soigneusement la hauteur ou la largeur de l'objet en MOA, puis calculez-la selon la formule et vous obtiendrez la portée de l'objet. Tenez votre fusil et soyez précis en mesurant des objets ; toute erreur de mesure provoque une erreur dans la plage calculée. De même, une erreur dans l'estimation de la taille de l'objet entraîne une erreur de plage proportionnelle.

Voici un exemple : un coyote se prélassait dans un champ de neige à côté d'un poteau de clôture ; ayant franchi la clôture plus tôt, vous savez que le poteau mesure environ 1,22 mètre, soit 48 pouces. Le poteau de clôture mesure 7 MOA dans votre réticule.

$$\frac{121 \text{ centimètres (48 pouces)} \times 95,5}{7 \text{ MOA}} = \frac{4 \ 584}{7} = 599 \text{ mètres (655 yards)}$$

Contrairement à la formule en mils (voir section suivante), il est recommandé d'utiliser cette formule uniquement pour des tailles de cibles en pouces et des distances en yards. Si cela est nécessaire, il est cependant possible d'utiliser d'autres chiffres dans cette formule.

RÉTICULE MIL BUSHNELL DEPLOY™

Le réticule Bushnell® Deploy™ Mil offre un moyen très précis d'estimation de la distance. Ces marquages en milliradians permettent également des guidages précis pour les cibles mobiles et une compensation exacte pour le tir par vent de travers. Pour un report d'élévation précis, des marques de graduation sont gravées à chaque intervalle de 0,5 Mil. Grâce à des calculs balistiques précis, le réticule MOA Deploy garantit des tirs de haute précision, à tous les coups.

RÉGLAGE / POINTS DE VISÉE

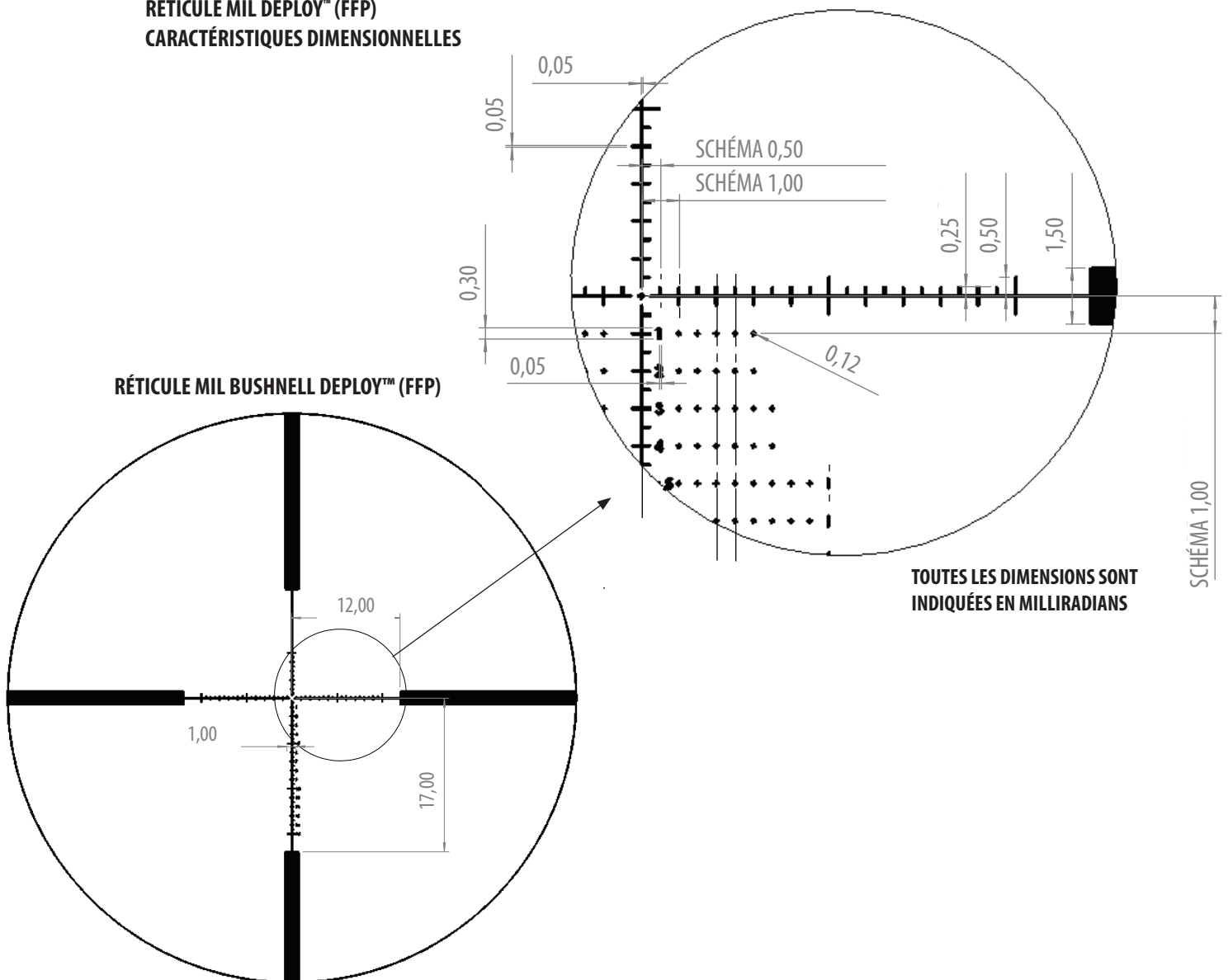
Le réticule Mil Deploy est conçu pour être zéroté à 91 mètres (100 yards), et est calibré en mils (milliradians). Le réticule possède des repères plus larges tous les 5 mils. Tous les modèles Mil Deploy étant de type FFP, l'utilisateur peut viser à 91 mètres (100 yards) quel que soit le grossissement défini.

COMPENSATION DES EFFETS DU VENT / DES POINTS DE VISÉE

Le réticule Mil Deploy comprend également des points d'arrêt de dérive sur son axe horizontal, afin de compenser les effets du vent sur la trajectoire de la balle. Les repères d'arrêt de dérive sont espacés par des intervalles de 0,5 mil, avec des repères plus longs tous les 5 mils. Les premiers repères de 1 mil sur l'axe vertical (élévation) servent également pour la dérive, étant donné que chaque repère possède une largeur de 2 mils. Pour utiliser les repères d'arrêt de dérive, commencez par déterminer la distance de la cible à l'aide d'un télémètre laser Bushnell. Dès que la distance à la cible est disponible, la vitesse du vent doit être estimée. Le réticule peut alors être relevé jusqu'au repère de mesure correct, puis déplacé horizontalement dans le sens du vent à l'aide des repères de dérive Mil sur le réticule Deploy afin de compenser la chute de balle et la dérive due au vent. Les marquages du réticule sont illustrés ci-dessous.

Le réticule MIL Deploy a été conçu pour être utilisé avec n'importe quel calibre, quels que soient le poids et la vitesse de la balle. Utilisez simplement des balles dont vous connaissez la vitesse, le coefficient balistique, la distance de zéro tage et les données environnementales pour obtenir vos points de chute Mil à différentes distances.

RÉTICULE MIL DEPLOY™ (FFP) CARACTÉRISTIQUES DIMENSIONNELLES



VISÉE À DISTANCE AVEC UN RÉTICULE MIL-DOT

Le mil est une mesure angulaire (1/6 400ème de cercle) qui équivaut presque exactement à un yard à 1 000 yards, ou à un mètre à 1 000 mètres. Grâce à cette relation proportionnelle, une formule simple permet de calculer les distances :

$$\frac{\text{Largeur ou hauteur de l'objet mesuré en yards x 1 000}}{\text{Largeur ou hauteur de l'objet en mils}} = \text{Distance en yards}$$

Cette formule fonctionne aussi bien avec les mètres, mais ne mélangez pas les mètres et les yards : mesurez l'objet en yards pour obtenir la distance en yards, et utilisez les mètres pour obtenir des distances en mètres.

En regardant à travers votre lunette, sélectionnez un objet à la distance que vous voulez couvrir - un objet dont vous connaissez ou pouvez estimer précisément la largeur ou la hauteur. Les objets de taille uniforme fabriqués par l'homme (par exemple, les poteaux de clôture) sont le choix idéal, mais tout objet dont vous connaissez les dimensions fera l'affaire. Mesurez soigneusement la hauteur ou la largeur de l'objet en mils, puis calculez-la selon la formule et vous obtiendrez la portée de l'objet. Tenez votre fusil et soyez précis en mesurant des objets ; toute erreur de mesure provoque une erreur dans la plage calculée. De même, une erreur dans l'estimation de la taille de l'objet entraîne une erreur de plage proportionnelle.

Voici un exemple : Un coyote se prélassait dans un champ de neige à côté d'un poteau de clôture ; ayant franchi la clôture plus tôt, vous savez que le poteau mesure environ 1,22 mètre, soit 1,33 yards. Le poteau de clôture mesure 2,5 mils dans votre réticule.

$$\frac{1,33 \text{ yards x 1 000}}{2,5 \text{ mils}} = \frac{1 330}{2,5} = 486 \text{ mètres (532 yards)}$$

ALTITUDE ET TEMPÉRATURE

Les cartes balistiques publiées par les fabricants de munitions sont basées sur les conditions standard au niveau de la mer. Lors de l'ajustement, il est bon de garder à l'esprit que l'altitude et la température affectent la trajectoire. Il est préférable d'effectuer l'ajustement dans les mêmes conditions que celles dans lesquelles vous allez chasser.

AVEZ-VOUS BESOIN DE NOUS ENVOYER VOTRE LUNETTE ?

Avant d'envoyer votre lunette en réparation, vérifiez les points suivants pour vous assurer que le problème concerne bien la lunette :

- Vérifiez que le système et les bagues de montage ne sont pas desserrés ou mal alignés.
- Vérifiez que le canon et le mécanisme sont correctement installés et que toutes les vis du récepteur sont bien serrées.
- Vérifiez que le système de montage autorise un jeu suffisant entre le logement de l'objectif et le canon.
- Vérifiez que vous utilisez des munitions de même type et de même poids que celles que vous avez utilisées pour l'ajustement.

CARACTÉRISTIQUES TECHNIQUES

| N° DE MODÈLE | GROSSISSEMENT ET DIAM. DE L'OBJ. | RÉTICULE | PLAN FOCAL | DISTANCE D'ÉLÉV./ DÉRIVE (MOA) | COURSE PAR RÉV. | POSITION DE L'ŒIL (PWR MAX) | CHAMP DE VISION (FT À 100 YDS) | POIDS (OZ.) | LONGUEUR (IN.) |
|--------------|----------------------------------|-----------------|------------|--------------------------------|-----------------|-----------------------------|--------------------------------|-------------|----------------|
| RN2104BS1 | 2.5-10x44 | DEPLOY MOA | SFP | 60/60 | 15 MOA | 3.7" | 37-9.5 | 23.9 | 13.6" |
| RN2104BS3 | 2.5-10x44 | Multi-X | SFP | 60/60 | 15 MOA | 3.7" | 37-9.5 | 23.9 | 13.6" |
| RN2104GS1 | 2.5-10x44 | DEPLOY MOA | SFP | 60/60 | 15 MOA | 3.7" | 37-9.5 | 23.9 | 13.6" |
| RN2104GS3 | 2.5-10x44 | Multi-X | SFP | 60/60 | 15 MOA | 3.7" | 37-9.5 | 23.9 | 13.6" |
| RN2104BF1 | 2.5-10x44 | DEP. MOA FFP | FFP | 60/60 | 15 MOA | 3.7" | 37-9.5 | 23.9 | 13.6" |
| RN2104GF1 | 2.5-10x44 | DEP. MOA FFP | FFP | 60/60 | 15 MOA | 3.7" | 37-9.5 | 23.9 | 13.6" |
| RN2104BF2 | 2.5-10x44 | DEP. MIL FFP | FFP | 17.9 MIL/17.9 MIL | 10 MIL | 3.7" | 37-9.5 | 23.9 | 13.6" |
| RN3124BS1 | 3-12x44 | DEPLOY MOA | SFP | 90/90 | 15 MOA | 3.9" | 33.5-9 | 24.2 | 13.7" |
| RN3124BS3 | 3-12x44 | Multi-X | SFP | 90/90 | 15 MOA | 3.9" | 33.5-9 | 24.2 | 13.7" |
| RN3124GS1 | 3-12x44 | DEPLOY MOA | SFP | 90/90 | 15 MOA | 3.9" | 33.5-9 | 24.2 | 13.7" |
| RN3124GS3 | 3-12x44 | Multi-X | SFP | 90/90 | 15 MOA | 3.9" | 33.5-9 | 24.2 | 13.7" |
| RN3124BF1 | 3-12x44 | DEP. MOA FFP | FFP | 90/90 | 15 MOA | 3.9" | 33.5-9 | 24.2 | 13.7" |
| RN3124GF1 | 3-12x44 | DEP. MOA FFP | FFP | 90/90 | 15 MOA | 3.9" | 33.5-9 | 24.2 | 13.7" |
| RN3124BF2 | 3-12x44 | DEP. MIL FFP | FFP | 26.8 MIL/26.8 MIL | 10 MIL | 3.9" | 33.5-9 | 24.2 | 13.7" |
| RN4164BS1 | 4-16x44 | DEPLOY MOA | SFP | 90/90 | 15 MOA | 3.6" | 23-6 | 23 | 13.9" |
| RN4164BS3 | 4-16x44 | Multi-X | SFP | 90/90 | 15 MOA | 3.6" | 23-6 | 23 | 13.9" |
| RN4164GS1 | 4-16x44 | DEPLOY MOA | SFP | 90/90 | 15 MOA | 3.6" | 23-6 | 23 | 13.9" |
| RN4164GS3 | 4-16x44 | Multi-X | SFP | 90/90 | 15 MOA | 3.6" | 23-6 | 23 | 13.9" |
| RN4164BF1 | 4-16x44 | DEP. MOA FFP | FFP | 90/90 | 15 MOA | 3.6" | 23-6 | 23 | 13.9" |
| RN4164GF1 | 4-16x44 | DEP. MOA FFP | FFP | 90/90 | 15 MOA | 3.6" | 23-6 | 23 | 13.9" |
| RN4164BF2 | 4-16x44 | DEP. MIL FFP | FFP | 26.8 MIL/26.8 MIL | 10 MIL | 3.6" | 23-6 | 23 | 13.9" |
| RN5204BS1 | 5-20x44 | DEPLOY MOA | SFP | 80/80 | 15 MOA | 3.7" | 19-5 | 24.06 | 13.9" |
| RN5204BS3 | 5-20x44 | Multi-X | SFP | 80/80 | 15 MOA | 3.7" | 19-5 | 24.06 | 13.9" |
| RN5204GS1 | 5-20x44 | DEPLOY MOA | SFP | 80/80 | 15 MOA | 3.7" | 19-5 | 24.06 | 13.9" |
| RN5204GS3 | 5-20x44 | Multi-X | SFP | 80/80 | 15 MOA | 3.7" | 19-5 | 24.06 | 13.9" |
| RN5204BF1 | 5-20x44 | DEP. MOA FFP | FFP | 80/80 | 15 MOA | 3.7" | 19-5 | 24.06 | 13.9" |
| RN5204GF1 | 5-20x44 | DEP. MOA FFP | FFP | 80/80 | 15 MOA | 3.7" | 19-5 | 24.06 | 13.9" |
| RN5204BF2 | 5-20x44 | DEP. MIL FFP | FFP | 23.9 MIL/23.9 MIL | 10 MIL | 3.7" | 19-5 | 24.06 | 13.9" |
| RN6245BS1 | 6-24x50 | DEPLOY MOA | SFP | 60/60 | 15 MOA | 3.6" | 16-4 | 26.3 | 14.4" |
| RN6245BS3 | 6-24x50 | Multi-X | SFP | 60/60 | 15 MOA | 3.7" | 16-4 | 26.3 | 14.4" |
| RN6245GS1 | 6-24x50 | DEPLOY MOA | SFP | 60/60 | 15 MOA | 3.7" | 16-4 | 26.3 | 14.4" |
| RN6245GS3 | 6-24x50 | Multi-X | SFP | 60/60 | 15 MOA | 3.7" | 16-4 | 26.3 | 14.4" |
| RN6245BF1 | 6-24x50 | DEP. MOA FFP | FFP | 60/60 | 15 MOA | 3.7" | 16-4 | 26.3 | 14.4" |
| RN6245GF1 | 6-24x50 | DEP. MOA FFP | FFP | 60/60 | 15 MOA | 3.7" | 16-4 | 26.3 | 14.4" |
| RN6245BF2 | 6-24x50 | DEP. MIL FFP | FFP | 17.9 MIL/17.9 MIL | 10 MIL | 3.7" | 16-4 | 26.3 | 14.4" |
| RN1624BS9 * | 1-6x24 | German #41 Thin | SFP | 45/45 | 100 cm | 90 mm | 38.1-3.7 m@100m | 482 g | 29.5 cm |
| RN2155BS9 * | 2.5-15x50 | German #41 Thin | SFP | 35/35 | 100 cm | 100 mm | 13.7-2.3 m@100m | 649 g | 39.0 cm |
| RN31856BS9 * | 3-18x56 | German #41 Thin | SFP | 42/42 | 100 cm | 100 mm | 11-2 m@100m | 629 g | 37.3 cm |

* disponibles dans l'UE uniquement, ces modèles sont dotés de réticules allemands n° 41. Voir page suivante pour plus d'informations.

Instructions spéciales pour modèles européens uniquement (RN1624BS9/RN2155BS9/RN31856BS9)

FONCTIONNEMENT DE LA RÉTICULE ÉCLAIRÉE/REPLACEMENT DE LA PILE

(Modèles de l'UE seulement)

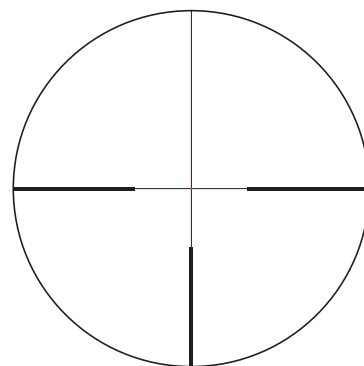
Le point rouge au centre du réticule est éclairé. Le cadran de réglage de l'éclairage est situé à côté opposé du réglage de la dérive (à la fin du bouton de mise au point sur le modèle RN2155BS9/RN31856BS9), numéroté de 1 à 6. Pour augmenter la luminosité, réglez le contrôle sur un nombre plus élevé. Pour éteindre l'éclairage ou lors de l'entreposage de la lunette, réglez le cadran sur l'une des positions « Off » (points) entre chaque réglage d'éclairage numéroté.



Pour remplacer la pile, retirez le couvercle du bouton de réglage de la luminosité à l'aide d'une pièce de monnaie, (voir Image à droite), et insérez une pile CR2032 en prenant soin d'orienter le « + » vers le haut.

RÉTICULE ALLEMANDE N ° 41 (Modèles de l'UE seulement)

Le réticule de style n ° 41 "Thin" allemand présente des lignes carrées sur les côtés et en bas, ce qui aide le tireur à localiser rapidement le point de visée, particulièrement en basse lumière où le réticule plus fin peut devenir difficile à voir. La partie supérieure du champ est libre d'obstruction. Un éclairage rouge d'un point central est également fourni, ce qui en fait un réticule idéal pour les applications de chasse au crépuscule ou en début de soirée.



MÉTHODE DE SIMBLEAUTAGE (Modèles de l'UE seulement)

1. Placez une cible à une distance comprise entre 25-50 mètres.
2. Retirez le boulon du fusil.
3. Placez le fusil sur des sacs de sable ou un repose fusil.
4. Définissez la lunette sur son plus faible grossissement.
5. Regardez à travers l'alésage depuis le récepteur et ajustez la position du fusil pour centrer la cible dans l'alésage (Fig. A).
6. Sans bouger le fusil, regardez dans la lunette et notez la position du réticule sur la cible. Sur les modèles équipés de réglages de dérive et d'élévation, retirez les caches. Sur le modèle 2.5-15x50, tirez la tourelle vers le haut (élévation) ou vers l'extérieur (dérive) pour la déverrouiller avant de l'ajuster. Ajustez les réglages de dérive et d'élévation pour centrer le réticule sur la cible (Fig. B). Chaque "clic" ou incrément de l'ajustement changera l'impact de la balle de 1cm par 100 mètres (0,5 cm à 50 mètres, 2 cm à 200 mètres, etc.).

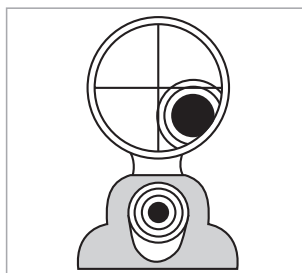


Fig. A
Réticule non aligné

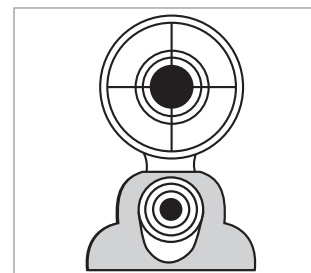


Fig. B
Réticule aligné

AJUSTEMENT FINAL (Modèles de l'UE seulement)



AVERTISSEMENT : DANS LA MESURE OÙ CETTE PROCÉDURE IMPLIQUE DE TIRER, ELLE DOIT ÊTRE EFFECTUÉE À UNE DISTANCE AUTORISÉE OU DANS TOUT AUTRE ESPACE SÉCURISÉ. VÉRIFIEZ QUE L'ALÉSAGE N'EST PAS OBSTRUÉ. UN ALÉSAGE OBSTRUÉ PEUT VOUS BLESSER OU BLESSER D'AUTRES PERSONNES À PROXIMITÉ. UNE PROTECTION DES YEUX ET DES OREILLES EST RECOMMANDÉE.

1. À partir d'une position de repos stable, tirez deux ou trois balles sur une cible située à 100 mètres. Notez l'impact de la balle sur la cible et ajustez les cadrans de dérive et d'élévation selon les besoins.
2. Pour déplacer l'impact de la balle, tournez les réglages de dérive et/ou d'élévation dans le sens des cadrans. Cela correspond à l'endroit où le point d'impact se trouve sur la cible (par exemple, si les tirs d'essai sont bas, réglez l'élévation sur le bas). Les réglages sur votre modèle de lunette de visée sont indiqués en CM (centimètres), et le point d'impact à 100 mètres change de 1 cm pour chaque clic du réglage de dérive ou d'élévation. Une révolution complète du réglage = 100 cm.
3. Lorsque l'impact sur la cible à 100 mètres est satisfaisant, passez à une cible définie à la distance souhaitée en vue de la remise à zéro finale. Réglez le grossissement sur la distance souhaitée pour les modèles à portée variable.



Les produits fabriqués à partir d'avril 2017 sont couverts par la garantie Bushnell Ironclad. La garantie Ironclad est une garantie à vie totale, qui couvre l'ensemble de la durée de vie du produit. Chacun de nos produits dispose d'une durée de vie définie, comprise entre 1 et 30 ans. La durée de vie de ce produit est consultable à l'adresse ci-dessous ou sur la page spécifique à ce produit sur le site Bushnell.

Nous garantissons que ce produit est exempt de défauts de fabrication et de matériaux défectueux, et qu'il répond à toutes les normes de performances définies pour la durée de vie de ce produit. Si ce produit ne fonctionne pas comme il le devrait en raison d'un défaut couvert par cette garantie, le produit sera remplacé ou réparé gratuitement (à notre discrétion), et vous sera réexpédié sans frais. Cette garantie est entièrement transférable et ne nécessite aucun reçu, carte de garantie ou enregistrement du produit. Cette garantie ne couvre aucun des éléments suivants : composants électroniques ; piles et batteries ; dégâts esthétiques ; dommages causés par un défaut d'entretien du produit ; perte ; vol ; dommages résultant d'une réparation, d'une modification ou d'un démontage non autorisé ; dommages, utilisation mauvaise et/ou abusive intentionnelle ; usure normale du produit ou de ses composants. Si la date de fabrication ou tout autre numéro de série sont retirés du produit, la garantie sera annulée.

Pour consulter la garantie complète ou trouver des informations sur les services de garantie à votre disposition, visitez notre site Web à l'adresse www.bushnell.com/warranty. Vous pouvez également nous demander une copie de la garantie en nous appelant au 1-800-423-3537, ou en nous écrivant à l'une des adresses suivantes :

Aux U.S.A. Envoyé à :

Bushnell Outdoor Products
Attn.: Repairs
9200 Cody
Overland Park, Kansas 66214

AU CANADA Envoyé à :

Bushnell Outdoor Products
Attn.: Repairs
140 Great Gulf Drive, Unit B
Vaughan, Ontario L4K 5W1

Pour les produits achetés à l'extérieur des Etats-Unis ou du Canada, veuillez contacter votre revendeur local pour obtenir les conditions de garantie applicables.

Cette garantie vous confère des droits légaux spécifiques.
Vous pouvez avoir d'autres droits qui varient d'un pays à l'autre.

©2019 Bushnell Outdoor Products

¡Felicitaciones por su compra de un visor para rifles **Bushnell® Nitro™**! Ahora es el propietario de uno de los visores para rifles más avanzados tecnológicamente del sector. Bushnell mantiene la integridad absoluta del producto y el control de calidad durante todo el ciclo de diseño, producción y entrega de estos visores.



PRECAUCIÓN: NO MIRE NUNCA AL SOL A TRAVÉS DEL VISOR PARA RIFLES (O CUALQUIER OTRO INSTRUMENTO ÓPTICO). PODRÍA DAÑAR SU VISIÓN PERMANENTEMENTE.

CARACTERÍSTICAS DEL VISOR PARA RIFLES NITRO

Cazadores y tiradores de precisión por igual pueden encontrar un visor para rifles Bushnell® Nitro™ que se adapte a sus necesidades. Todas las configuraciones se diseñan para resistir todos los entornos. La óptica con revestimiento multicapa completo ofrece imágenes brillantes de alto contraste con una mínima fatiga visual. Independientemente de cuál sea la situación, los visores para rifles Nitro™ tienen una solución.

Todas las superficies exteriores de lente presentan nuestro nuevo revestimiento EXO Barrier™. Resumiendo, EXO Barrier es la mejor tecnología de revestimiento protector para lentes que Bushnell haya desarrollado hasta la fecha. La EXO Barrier, que se añade al final del proceso de revestimiento, se adhiere a la lente a nivel molecular y rellena los poros microscópicos del cristal. El resultado es un revestimiento ultraliso que repele agua, aceite, niebla, polvo y otros residuos, para que lluvia, nieve, huellas dactilares y polvo no se adhieran. La EXO Barrier está diseñada para durar: el revestimiento adherente no se pierde con el paso del tiempo ni con el uso y desgaste normales.

Todos los modelos de visores para rifles Nitro presentan las siguientes características:

- **CLARIDAD:** la mejor resolución y el mejor contraste en todas las condiciones lumínicas
- **ALTA TRANSMISIÓN DE LUZ:** la capa banda ultra ancha aporta un brillo óptimo y color verdadero en todas las condiciones lumínicas
- **PARALAJE LATERAL:** error de paralaje de corrección sencilla sin quitar los ojos del objetivo
- **VARIEDAD:** las múltiples configuraciones incluyen torretas de destino o cubiertas, modelos de plano focal primero y segundo y varias opciones de balística de la retícula para cubrir todas las necesidades
- **CUBIERTAS DE VISOR:** las cubiertas de visor abatibles Butler Creek® incluidas protegen las lentes del polvo y la suciedad
- **PANTALLA SOLAR:** la pantalla solar de 2,5 pulg. incluida contribuye a la captura del objetivo en días luminosos

CUIDADO DE SU VISOR PARA RIFLES

Su visor necesita muy poco mantenimiento. Las superficies exteriores de metal deben mantenerse limpias. Un poco de polvo con un paño suave ligeramente humedecido es suficiente en la mayoría de los casos.

Su nuevo visor cuenta con torretas de elevación y resistencia al viento que están completamente selladas contra la intrusión de agua. Sin embargo, le recomendamos que mantenga las tapas de elevación y resistencia al viento en las torretas (*solo modelos con ajustes cubiertos*), excepto cuando realice ajustes, para evitar que se acumule polvo y suciedad en el área de la torreta.

También recomendamos que las cubiertas de las lentes se mantengan en su lugar cuando no se esté utilizando el visor. Las lentes deben inspeccionarse periódicamente y mantenerse limpias en todo momento. El polvo, la suciedad y las huellas dactilares que se acumulan en las superficies de la lente degradarán severamente la calidad de la imagen y, si se dejan sucios por períodos prolongados, la capa antirreflectante podría dañarse. Aunque la limpieza de lentes no es difícil, requiere cuidado y un poco de paciencia.

- Comience con un cepillo para lentes o un cepillo de cerdas suaves. Suavemente aleje las partículas de suciedad sueltas.
- Luego, use una jeringa para oídos o un aspirador nasal (disponible en la mayoría de las farmacias) para eliminar la suciedad o el polvo restante de las superficies de las lentes.
- Si necesita más limpieza, use un paño seco, suave y sin pelusa. Limpie muy suavemente la lente, comenzando por el centro con un movimiento circular y luego hacia afuera hasta el borde.
- Si esto no ha corregido el problema, repita el proceso utilizando la condensación de su aliento.

ELEMENTOS CLAVES DE UN VISOR

Hay cuatro elementos principales en un visor:

1. **Objetivo:** Esta lente tiene tres funciones. Primero, permite que la luz pase al visor. En segundo lugar, determina la resolución. En general, las lentes más grandes permiten que entre más luz en el visor y resuelvan los detalles mejor que las más pequeñas. Finalmente, forma una imagen para que las otras lentes se amplíen a un tamaño utilizable. La imagen formada por esta lente está cara abajo.
2. **Sistema de montaje:** El sistema de montaje cumple tres funciones. Su función principal es erigir la imagen (es decir, voltear la imagen hacia arriba) y alinearla con la retícula. Durante este proceso, se produce un aumento principal de la imagen. Estas dos funciones son el resultado de la acción de la lente.

Enfoque rápido
Ocular

Lentes
oculares

Anillo de cambio
de potencia

Ajuste para resistencia al viento

GUÍA DE REPUESTOS

Ajuste de elevación

Botón de Paralaje

Lente del objetivo

La tercera función es mecánica. Las lentes de montaje están alojadas en un tubo que se fija en un extremo, mientras que el otro extremo del tubo se puede mover libremente y responder a los ajustes del dial. Al mover el sistema de montaje, el punto de mira del visor se ajusta para que coincida con el punto de impacto de la bala.

- 3. Retículo:** En términos simples, el dispositivo de puntería alrededor del cual se construye el visor. Este elemento reemplaza el sistema de mira de hierro de los rifles sin visor.
- 4. Ocular o lente ocular:** Este elemento proporciona el aumento secundario y final de la imagen.

MONTAJE DE SU VISOR

Su nuevo visor, incluso con su diseño y características tecnológicamente avanzados, no tendrá un rendimiento óptimo si no está correctamente montado. Uno de los factores más importantes que contribuyen a la precisión de su visor y de su rifle es la selección de la montura y el cuidado con el que se realiza el montaje. Las monturas de confianza que sujetan sólidamente su visor al rifle le recompensarán con confiabilidad y precisión consistentes. Debe tener mucho cuidado al seleccionar un sistema de montaje igual que cuando seleccionó su visor.

Recuerde que no todos los visores son compatibles con todas las monturas en todos los rifles. Si tiene alguna duda, debe buscar el consejo de su vendedor minorista o armero local.



PRECAUCIÓN: UN VISOR NO DEBERÍA USARSE NUNCA COMO SUSTITUTO DE UNOS PRISMÁTICOS O UN CATALEJO. PODRÍA RESULTAR EN APUNTAR EL ARMA INADVERTIDAMENTE A OTRA PERSONA.

AJUSTES PRELIMINARES DEL VISOR

Antes de instalar el visor, le recomendamos que ajuste el foco del ocular para que se ajuste a sus necesidades visuales individuales. Reorientar la distancia ocular dará como resultado un foco de retícula más nítido, una imagen óptica mejorada y ayudará a evitar la fatiga ocular al usar el visor durante períodos de tiempo prolongados. Para volver a enfocar, mantenga el visor a una distancia de 3 a 4 pulgadas de su ojo y apunte hacia el cielo abierto u otra área iluminada, como una pared pintada de manera uniforme.

Eche un vistazo rápidamente al visor. Si la retícula aparece borrosa a primera vista, está desenfocada. Gire el ocular en el sentido de las agujas del reloj o en el sentido contrario de las agujas del reloj varias veces. Eche un vistazo al visor nuevamente para verificar la nitidez de la retícula. Recuerde mirar rápidamente, ya que el ojo compensará las condiciones ligeramente fuera de foco si se mira durante un período de tiempo prolongado. Si la retícula aún parece borrosa, gire el ocular otras dos o tres vueltas. Repita este procedimiento hasta que la retícula sea nítida y definida.

A menos que sus ojos experimenten un cambio significativo a lo largo de los años, no tendrá que hacer este ajuste nuevamente.

CONECTAR UN MONTAJE, ANILLOS Y EL VISOR A SU RIFLE



PRECAUCIÓN: ANTES DE COMENZAR EL PROCEDIMIENTO DE MONTAJE, ASEGÚRESE DE QUE LA ACCIÓN ESTÁ ABIERTA, EL CLIP O EL CARGADOR SE RETIRA Y LA CÁMARA ESTÁ DESPEJADA. NO INTENTE NINGUNA ACCIÓN HASTA HABER VACIADO EL ARMA Y HABER COMPROBADO QUE ES SEGURA.



PRECAUCIÓN: SI EL VISOR NO ESTÁ MONTADO LO SUFICIENTEMENTE ADELANTE, EL MOVIMIENTO DE RETROCESO PODRÍA HERIR AL TIRADOR AL RETROCEDER EL RIFLE.

Al montar su visor, le recomendamos que NO tome atajos, ya que puede dañar el sistema de montaje o el visor. Cada sistema de montaje tendrá sus propias instrucciones a seguir y lo mejor es leer las instrucciones primero para asegurarse de que las comprende y de tener las herramientas necesarias a mano.

Recomendamos además realice el procedimiento de montaje dos veces. La primera vez, para asegurarse de que todo encaja y funciona correctamente. Cuando lo haga por primera vez, tenga en cuenta lo siguiente:

- Antes de colocar la base, limpie los orificios de montaje en el receptor y las roscas de los tornillos de fijación con acetona o cualquier solvente bueno para liberarlos de aceite o grasa.
- Si el fabricante del montaje recomienda el uso de un adhesivo para roscas, no lo use en la primera prueba de montaje. Una vez que se ha fijado el adhesivo, es difícil desmontarlo si algo necesita corrección.
- Asegúrese de que los tornillos de montaje no sobresalgan en el receptor o el cañón.
- Al usar soportes de cola de milano, no use el visor como palanca cuando instale el visor. La resistencia inicial al giro puede causar daños al visor y no está cubierto por la garantía. Recomendamos el uso de una clavija de madera de 1" o un cilindro de metal para asentar los anillos.
- Asegúrese de que la posición del visor no interfiere con el funcionamiento de la acción.
- Asegúrese de que haya al menos 1/8" de espacio libre entre los bordes de los anillos y cualquier superficie sobresaliente, como la carcasa de la torreta (sillín), el anillo de selección de potencia y el destello del timbre del objetivo. También asegúrese de que haya al menos 1/8" de espacio libre entre el timbre del objetivo y el cañón.
- Debería intentar posicionar el visor para el alivio ocular adecuado. Los anillos del visor deben dejarse lo suficientemente sueltos para que el visor se desplace fácilmente. Los visores de potencia variable deben configurarse con la mayor ampliación al realizar este procedimiento. Monte el rifle y mire a través del visor en su posición normal de disparo.
- Pruebe la posición del rifle para un apoyo consistente adecuado varias veces para asegurarse de que su visor esté colocado correctamente.
- Cuando esté satisfecho de que todo está bien, desmóntese y comience nuevamente. Esta vez, asiente firmemente todos los tornillos.

AJUSTE DEL PARALAJE/ENFOQUE LATERAL

El ajuste del botón de paralaje o enfoque lateral corrige el error de paralaje. El error de paralaje se da cuando el objetivo previsto y la retícula no se encuentran en el mismo plano focal. El ajuste del enfoque lateral reubica un elemento óptico dentro del alcance, manipulando la imagen entrante para que aparezca en el mismo plano focal que la retícula del visor para rifles y eliminando así el error de paralaje. El error de paralaje provoca incoherencias en relación con el punto de impacto. Se puede dar al mirar a un objetivo a 100 yardas con el enfoque lateral ajustado en 500 yardas. Al mover ligeramente la cabeza a la derecha o izquierda, o hacia arriba o abajo, notará el movimiento en la ubicación donde se intersecan las crucetas. Sin embargo, si cambia el ajuste del enfoque lateral a 100 yardas mientras observa al objetivo a 100 yardas, la intersección de las crucetas no se moverá. Tenga en cuenta que las marcas de distancia del dial están previstas únicamente como puntos de referencia. Es posible que sea necesario ajustar el enfoque lateral exacto tras realizar ajustes en el ocular para obtener una imagen sin paralaje de alta resolución.

PRUEBAS PRELIMINARES

Puede ahorrar una cantidad significativa de gastos y frustraciones al probar el visor en el rifle antes de llevarlo al campo de tiro para prepararse.

Hay dos métodos básicos que se pueden usar para probar su visor. El primer método es usar un Bushnell® Bore Sighter (láser, magnético o estándar). El uso de un Bore Sighter ahorra tiempo y municiones y es el sistema más utilizado por los armeros. El segundo método es el ajuste de avistamiento tradicional:

MÉTODO DE PRUEBA DEL CALIBRE

1. Coloca un objetivo a una distancia de entre 25 y 50 yardas.
2. Retire el pasador del rifle.
3. Coloque el rifle en sacos de arena o un apoyo de tiro.
4. Establezca el visor a su aumento más bajo.

- Mire a través del orificio del calibre y ajuste la posición del rifle para centrar la diana del objetivo en el calibre (*fig. A*).
- Sin mover el rifle, mire dentro del visor y observe la posición de la retícula en el objetivo. Retire las tapas en modelos con ajustes de las tapas de elevación y de resistencia del viento. Ajuste la elevación y la resistencia del viento para centrar la retícula en la diana (*fig. B*).

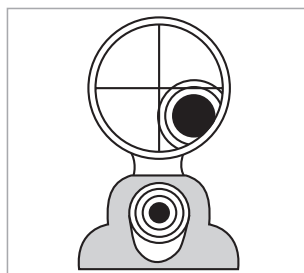


Fig. A
Retícula no alineada

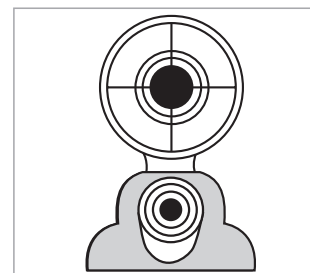


Fig. B
Retícula alineada

PRUEBAS FINALES



PRECAUCIÓN: PUESTO QUE ESTE PROCEDIMIENTO INCLUYE FUEGO REAL, DEBERÍA LLEVARSE A CABO EN UNA GALERÍA AUTORIZADA U OTRA ZONA SEGURA. COMPRUEBE QUE EL CALIBRE NO TENGA OBSTRUCCIONES. UN CALIBRE OBSTRUIDO PUEDE CAUSAR LESIONES PARA USTED Y OTRAS PERSONAS CERCANAS. SE RECOMIENDA USAR PROTECCIÓN DE OJOS Y OÍDOS.

- Desde una posición de descanso constante, dispare dos o tres rondas a un objetivo a una distancia de 100 yardas. Apunte el impacto de la bala en el objetivo y ajuste los diales de elevación y resistencia al viento según sea necesario.
- Para mover el impacto de la bala, gire los ajustes de la resistencia del viento y/o elevación en la dirección de los diales que corresponda al punto de impacto del objetivo (por ejemplo, si los tiros de prueba son bajos, ajuste la elevación "hacia abajo"). Si los ajustes en su modelo de visor para rifles están marcados en MOA (minutos de arco), el punto de impacto en 100 yardas cambiará en 1/4 MOA por cada clic del ajuste de elevación o resistencia del viento (o 0,34 pulgadas por clic si los ajustes están marcados en Mils). Una revolución completa del ajuste = 15 MOA (o 10 Mils en modelos basados en Mils).
- Cuando el impacto en el objetivo a una distancia de 100 yardas sea satisfactorio, cambie a un objetivo establecido a la distancia deseada para la preparación para el disparo. Establezca la ampliación a la potencia deseada en los modelos de potencia variable.

RESTABLECIMIENTO DEL ÍNDICE DE LA TORRETA DE DESTINO A CERO

Después de poner a cero su rifle:

- Desenrosque la tapa exterior que cubre la torreta (gire en sentido contrario a las agujas del reloj) y déjela a un lado (*Fig. 1*).
- Sujetando la torreta en su lugar para que no gire, desenrosque (giro a la izquierda) la tapa plana en la parte superior de la torreta y déjela a un lado (*Fig. 2*).
- Tire del anillo de la torreta suelta hacia arriba y retírela del visor, luego, vuélvala a colocar de forma que el cero ("0") en la escala del anillo de la torreta esté alineado con la marca de índice blanca cuando ponga el anillo de la torreta de nuevo en el cuerpo de la torreta (*Fig. 3*).
- Vuelva a colocar la tapa plana en la parte superior de la torreta, girándola con los dedos en el sentido de las agujas del reloj hasta que quede apretada (no apriete demasiado). Vuelva a colocar la tapa exterior.

Fig. 1



Fig. 2



Fig. 3



RETÍCULAS DEL PRIMER Y SEGUNDO PLANOS FOCALES

Algunos de los visores para rifles Nitro incluidos en este manual cuentan con las retículas ubicadas en el primer plano focal ("FFP"). Por tanto, la retícula aumentará de tamaño cuando se amplíe el aumento. Esta función permite el empleo continuado del sistema de medición MOA o Mil contenido en la retícula, independientemente de los ajustes de potencia. Las retículas del segundo plano focal ("SFP") mantienen un tamaño constante de la retícula, aunque es necesario que el usuario realice mediciones a una potencia específica, ya que el tamaño de la retícula permanece igual y esta no representará los distintos niveles de aumento.

RETÍCULA BUSHNELL DEPLOY™ MOA

La retícula Bushnell® Deploy™ MOA está diseñada para ofrecer versatilidad. Es útil para cazadores, tiradores, devotos de varios calibres... todo aquel que busque flexibilidad en un elemento óptico. Las crucetas gruesas de 0,18 MOA son fáciles de ver sin que se obstruya la imagen del objetivo. Se muestran líneas radiales en cada 1 MOA para obtener un remanente de elevación preciso. Las líneas radiales inferiores a cero tienen un ancho de 2 MOA, para ayudar a fijar de manera precisa la resistencia al viento. Gracias a unos cálculos balísticos precisos, la retícula Deploy MOA ofrece disparos precisos en todo momento.

PRUEBAS/PUNTOS DE RETENCIÓN

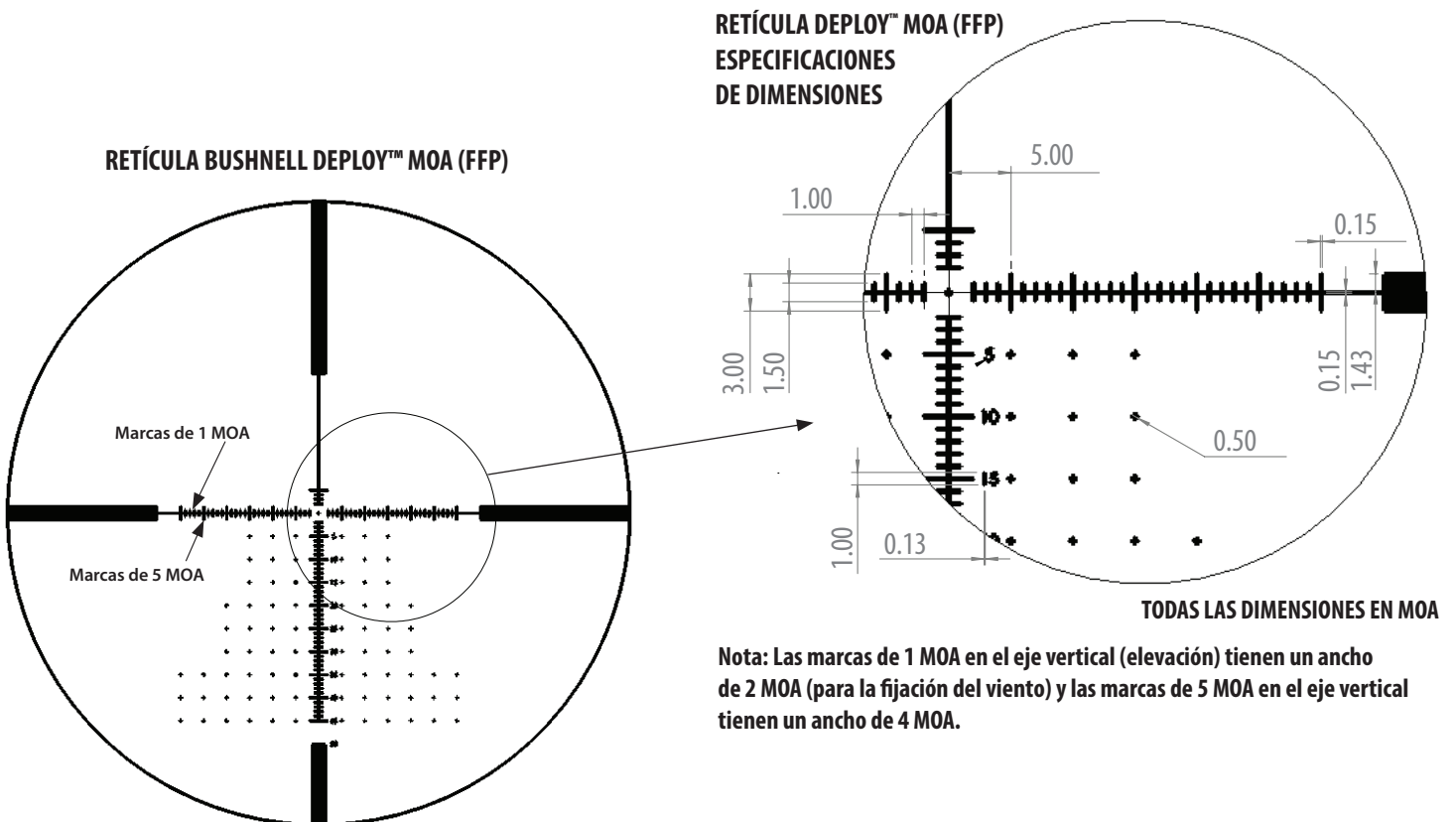
La retícula Deploy MOA está diseñada para disparar a 100 yardas y se calibra en MOA (minutos de arco). La retícula cuenta con marcas más anchas cada 5 MOA. El usuario puede mirar a 100 yardas en cualquier configuración de ampliación, pero para que la función de la retícula MOA (marcas de distancia y resistencia al viento) funcione correctamente en modelos SFP (*consulte la tabla "Especificaciones técnicas"*), se debe ajustar el aumento del visor a la máxima potencia (a excepción del modelo 6-24x50, que se deberá ajustar a **20x**). Los ajustes correctos para los modelos Nitro que incluyen la retícula MOA Deploy en el segundo plano focal se muestran en la tabla de la derecha.

| Modelo | Ajuste a: |
|--------------|------------|
| 2,5-10x44 mm | 10x |
| 3-12x44 mm | 12x |
| 4-16x44 mm | 16x |
| 5-20x44 mm | 20x |
| 6-24x50 mm | 20x |

COMPENSACIÓN DE LOS EFECTOS DEL VIENTO/PUNTOS DE RETENCIÓN

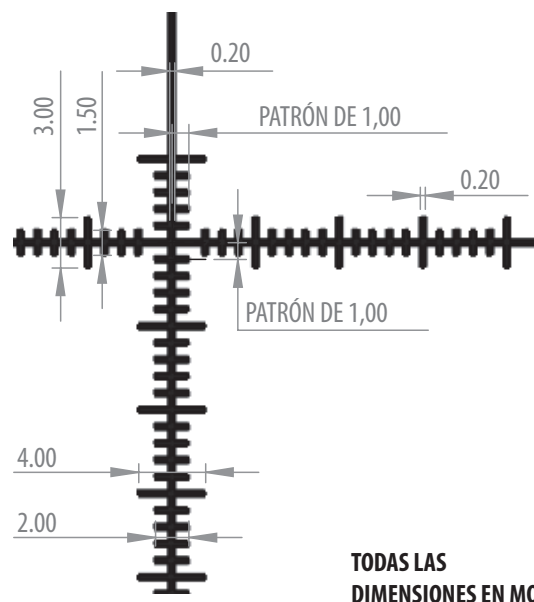
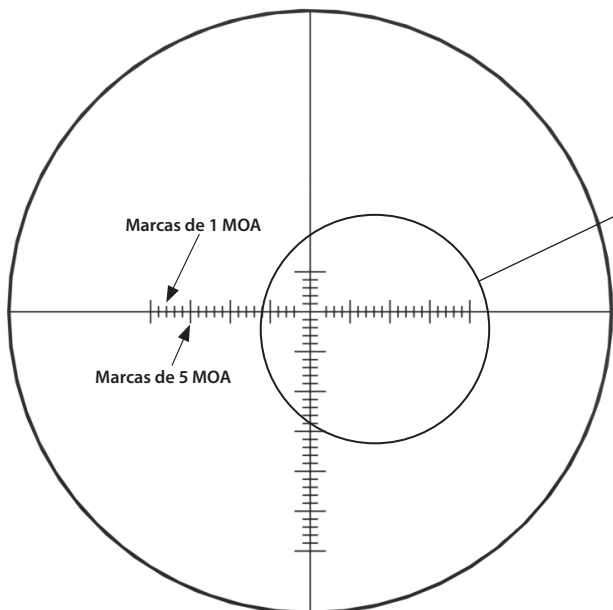
La retícula Deploy MOA también incorpora puntos de fijación de la resistencia al viento en el eje horizontal de la retícula para ayudar en la compensación del efecto del viento en la trayectoria de la bala. Las marcas de fijación de la resistencia al viento están espaciadas en intervalos de 1 MOA, con marcas más grandes cada 5 MOA. Las primeras marcas de 1 MOA del eje vertical (elevación) también son útiles para la resistencia al viento, ya que cada marca tiene 2 MOA de ancho. Para utilizar las marcas de fijación de la resistencia al viento, determine en primer lugar la distancia con respecto al objetivo con un telémetro láser Bushnell (o mediante la retícula para calcular la distancia; consulte la siguiente sección de este manual). Una vez que esté disponible la distancia con respecto al objetivo, se debe realizar un cálculo de la velocidad del viento. A continuación, se puede elevar la retícula a la marca de yardas correcta y moverla en horizontal en la dirección del viento con las marcas de viento MOA de la retícula Deploy para compensar la caída de bala y la deriva de viento. A continuación, se muestran ilustraciones de las marcas de la retícula.

La retícula Deploy está diseñada para su uso con cualquier calibre, peso de bala y velocidad. Solo tiene que ejecutar la balística con una velocidad, BC, distancia cero y datos del entorno conocidos para obtener puntos de caída MOA a distintas distancias. Se muestran ilustraciones de las marcas de la retícula a continuación (versión Deploy FFP) y en la página siguiente (versión Deploy SFP).



**RETÍCULA DEPLOY™ MOA (SFP)
ESPECIFICACIONES DE DIMENSIONES**

RETÍCULA BUSHNELL DEPLOY™ MOA (SFP)



**TODAS LAS
DIMENSIONES EN MOA**

Nota: Las marcas de 1 MOA en el eje vertical (elevación) tienen un ancho de 2 MOA (para la fijación del viento) y las marcas de 5 MOA en el eje vertical tienen un ancho de 4 MOA.

MEDICIÓN DE DISTANCIAS CON LA RETÍCULA DEPLOY MOA

Existe una relación inversa entre lo grande que parece un objeto y la distancia a la que se encuentra. A medida que aumenta la distancia hacia un objeto, el tamaño del objeto parece reducirse. Por ejemplo, supongamos que observa un objeto a 100 yardas de distancia. Si acercáramos más el objeto para que situarlo a la mitad de distancia (50 yardas) de su ubicación, parecería el doble de grande (o la mitad de tamaño a 200 yardas).

La relación entre la distancia a la que se encuentre de un objeto y su tamaño percibido le permite calcular la distancia según lo grande o pequeño que parezca el objeto mediante las marcas de la retícula para medir su altura o ancho en MOA (minuto de ángulo) o Mil (miles angulares). Mediante la medición aparente del objetivo, puede determinar la distancia hasta el objetivo. Para que funcione, tiene que conocer el tamaño del objetivo.

Para calcular la distancia de un objetivo con MOA, multiplique el tamaño conocido del objetivo en pulgadas por 95,5 y, a continuación, divida el resultado por el tamaño del objetivo medido en MOA a través del visor:

$$\frac{\text{Ancho o altura del objeto medido en pulgadas} \times 95,5}{\text{Ancho o altura del objeto en MOA}} = \text{Distancia en yardas}$$

Esta fórmula también se puede usar para calcular la distancia en metros, utilizando 87,3 como multiplicador en lugar de 95,5, pero aún así introduciendo el ancho o la altura del objeto en pulgadas.

Mirando a través de su visor (*si es un modelo SFP, asegúrese de que la potencia está configurada en la página anterior*), seleccione un objeto a la distancia que desee disparar, un objeto cuyo ancho o altura conozca o pueda estimar con precisión. Los objetos hechos por el hombre de tamaño uniforme, como postes, son los mejores, pero cualquier objeto de dimensiones conocidas servirá. Mida la altura o el ancho del objeto con cuidado en MOA, calcúlelo de acuerdo con la fórmula y encontrará su distancia. Apoye su rifle y sea preciso al medir objetos; cualquier error de medición causa un error en la distancia calculada. Igualmente, un error al estimar el tamaño del objeto resulta en un error de distancia proporcional.

Por ejemplo: Un coyote está tomando el sol en un campo de nieve al lado de un poste; habiendo cruzado la cerca antes, usted sabe que el poste tiene unos cuatro pies de alto o 48 pulgadas. El poste de la cerca mide 7 MOA en su retícula.

$$\frac{48 \text{ pulgadas} \times 95,5}{7 \text{ MOA}} = \frac{4584}{7} = 655 \text{ yardas}$$

A diferencia de la fórmula para Mil (*consulte la siguiente sección*), esta fórmula únicamente se deberá utilizar con tamaños de objetivo en pulgadas y distancias en yardas. Sin embargo, si es necesario, hay número alternativos que se pueden utilizar en la fórmula.

RETÍCULA BUSHNELL DEPLOY™ MIL

La retícula Bushnell® Deploy™ Mil ofrece un medio de cálculo de la distancia muy preciso. Las marcas en mil también permiten direcciones precisas para objetivos en movimiento y compensación exacta para disparar en viento cruzado. Se muestran líneas radiales en cada 0,5 Mil para obtener un remanente de elevación preciso. Gracias a unos cálculos balísticos precisos, la retícula Deploy MOA ofrece disparos precisos en todo momento.

PRUEBAS/PUNTOS DE RETENCIÓN

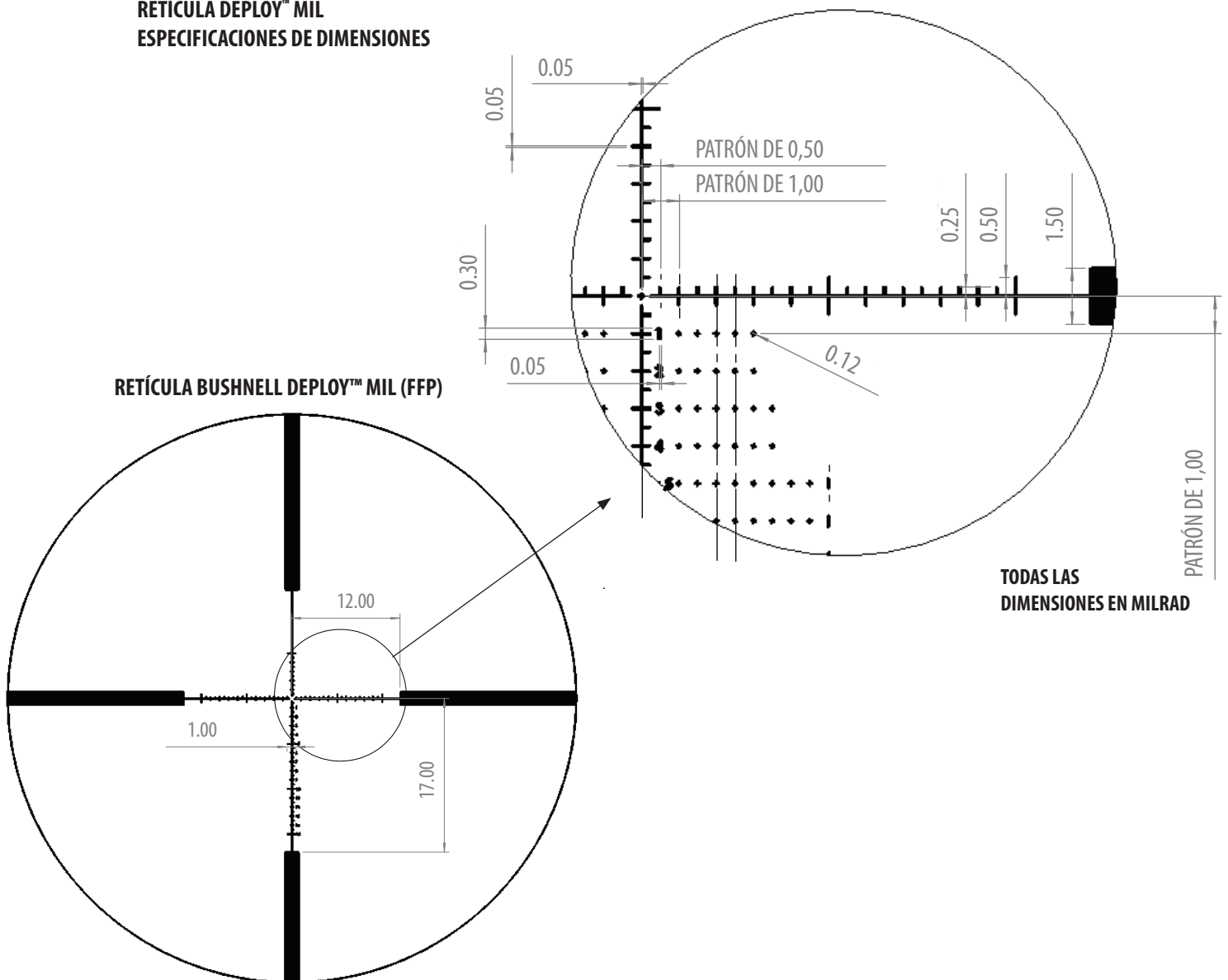
La retícula Deploy Mil está diseñada para disparar a 100 yardas y se calibra en Mil (miles angulares). La retícula cuenta con marcas más anchas cada 5 Mils. El usuario puede disparar a 100 yardas en cualquier configuración de ampliación, ya que todos los modelos Deploy Mil son FFP.

COMPENSACIÓN DE LOS EFECTOS DEL VIENTO/PUNTOS DE RETENCIÓN

La retícula Deploy Mil también incorpora puntos de fijación de la resistencia al viento en el eje horizontal de la retícula para ayudar en la compensación del efecto del viento en la trayectoria de la bala. Las marcas de fijación de la resistencia al viento están espaciadas en intervalos de 0,5 Mil, con marcas más largas cada 5 Mil. Las primeras marcas de 1 Mil del eje vertical (elevación) también son útiles para la resistencia al viento, ya que cada marca tiene 2 Mil de ancho. Para utilizar las marcas de fijación de la resistencia al viento, determine en primer lugar una distancia con respecto al objetivo con un telémetro láser Bushnell. Una vez que esté disponible la distancia con respecto al objetivo, se debe realizar un cálculo de la velocidad del viento. A continuación, se puede elevar la retícula a la marca de yardas correcta y moverla en horizontal en la dirección del viento con las marcas de viento Mil de la retícula Deploy para compensar la caída de bala y la deriva de viento. A continuación, se muestran ilustraciones de las marcas de la retícula.

La retícula Deploy MIL está diseñada para su uso con cualquier calibre, peso de bala y velocidad. Solo tiene que ejecutar la balística con una velocidad, BC, distancia cero y datos del entorno conocidos para obtener puntos de caída Mil a distintas distancias.

RETÍCULA DEPLOY™ MIL ESPECIFICACIONES DE DIMENSIONES



MEDICIÓN DE DISTANCIAS CON LA RETÍCULA MIL-DOT

La mil es una medida angular (1/6400 de un círculo) que equivale a casi una yarda exactamente a 1000 yardas, o un metro a 1000 metros. Esta relación proporcional hace posible una fórmula simple para calcular distancias:

$$\frac{\text{Ancho o altura del objeto medido en yardas} \times 1000}{\text{Ancho o altura del objeto en Mils}} = \text{Distancia en yardas}$$

Esta fórmula funciona igual de bien con metros, pero no mezcle metros y yardas: mida el objeto en yardas para encontrar la distancia en yardas, use metros para buscar distancias en metros.

Mirando a través de su visor, seleccione un objeto a la distancia que desee disparar: un objeto cuyo ancho o altura conozca o pueda estimar con precisión. Los objetos hechos por el hombre de tamaño uniforme, como postes, son los mejores, pero cualquier objeto de dimensiones conocidas servirá. Mida la altura o el ancho del objeto con cuidado en mils, calcúlelo de acuerdo con la fórmula y encontrará su rango. Apoye su rifle y sea preciso al medir objetos; cualquier error de medición causa un error en la distancia calculada. Igualmente, un error al estimar el tamaño del objeto resulta en un error de distancia proporcional.

Por ejemplo: Un coyote está tomando el sol en un campo de nieve al lado de un poste; habiendo cruzado la cerca antes, usted sabe que el poste tiene unos cuatro pies de alto o 1,33 yardas. El poste de la cerca mide 2,5 mils en su retícula.

$$\frac{1,33 \text{ yardas} \times 1000}{2,5 \text{ mils}} = \frac{1330}{2,5} = 532 \text{ yardas}$$

ALTITUD Y TEMPERATURA

Los gráficos balísticos publicados por los fabricantes de municiones se basan en las condiciones estándar del nivel del mar. Durante las pruebas de disparos, es bueno tener en cuenta que la altitud y la temperatura afectan la trayectoria. Lo mejor es realizar las pruebas en las mismas condiciones en las que estará cuando vaya a cazar.

¿NECESITA ENVIARNOS SU VISOR?

Antes de devolver su visor para arreglarlo, debe comprobar los siguientes puntos para asegurarse de que el problema sea del visor:

- Compruebe que el sistema de montaje y los anillos no estén flojos ni desalineados.
- Asegúrese de que cañón y la acción estén colocados correctamente y que todos los tornillos del receptor estén apretados.
- Compruebe que el sistema de montaje permite un espacio suficiente entre el timbre del objetivo y el cañón.
- Compruebe que esté usando el mismo tipo de munición y peso que usó para las pruebas.

ESPECIFICACIONES TÉCNICAS

| N.º DE MODELO | AUMENTO Y DIÁMETRO DE OBJETIVO | RETÍCULA | PLANO FOCAL | DESPLAZAMIENTO POR ELEVACIÓN/ VIENTO (MOA) | DESPLAZAMIENTO POR GIRO | ALIVIO OCULAR (POTENCIA MÁX.) | CAMPO DE VISIÓN (CV A 100 YARDAS) | PESO (ONZAS) | LONGITUD (IN.) |
|---------------|--------------------------------|-----------------|-------------|--|-------------------------|-------------------------------|-----------------------------------|--------------|----------------|
| RN2104BS1 | 2.5-10x44 | DEPLOY MOA | SFP | 60/60 | 15 MOA | 3.7" | 37-9.5 | 23.9 | 13.6" |
| RN2104BS3 | 2.5-10x44 | Multi-X | SFP | 60/60 | 15 MOA | 3.7" | 37-9.5 | 23.9 | 13.6" |
| RN2104GS1 | 2.5-10x44 | DEPLOY MOA | SFP | 60/60 | 15 MOA | 3.7" | 37-9.5 | 23.9 | 13.6" |
| RN2104GS3 | 2.5-10x44 | Multi-X | SFP | 60/60 | 15 MOA | 3.7" | 37-9.5 | 23.9 | 13.6" |
| RN2104BF1 | 2.5-10x44 | DEP. MOA FFP | FFP | 60/60 | 15 MOA | 3.7" | 37-9.5 | 23.9 | 13.6" |
| RN2104GF1 | 2.5-10x44 | DEP. MOA FFP | FFP | 60/60 | 15 MOA | 3.7" | 37-9.5 | 23.9 | 13.6" |
| RN2104BF2 | 2.5-10x44 | DEP. MIL FFP | FFP | 17.9 MIL/17.9 MIL | 10 MIL | 3.7" | 37-9.5 | 23.9 | 13.6" |
| RN3124BS1 | 3-12x44 | DEPLOY MOA | SFP | 90/90 | 15 MOA | 3.9" | 33.5-9 | 24.2 | 13.7" |
| RN3124BS3 | 3-12x44 | Multi-X | SFP | 90/90 | 15 MOA | 3.9" | 33.5-9 | 24.2 | 13.7" |
| RN3124GS1 | 3-12x44 | DEPLOY MOA | SFP | 90/90 | 15 MOA | 3.9" | 33.5-9 | 24.2 | 13.7" |
| RN3124GS3 | 3-12x44 | Multi-X | SFP | 90/90 | 15 MOA | 3.9" | 33.5-9 | 24.2 | 13.7" |
| RN3124BF1 | 3-12x44 | DEP. MOA FFP | FFP | 90/90 | 15 MOA | 3.9" | 33.5-9 | 24.2 | 13.7" |
| RN3124GF1 | 3-12x44 | DEP. MOA FFP | FFP | 90/90 | 15 MOA | 3.9" | 33.5-9 | 24.2 | 13.7" |
| RN3124BF2 | 3-12x44 | DEP. MIL FFP | FFP | 26.8 MIL/26.8 MIL | 10 MIL | 3.9" | 33.5-9 | 24.2 | 13.7" |
| RN4164BS1 | 4-16x44 | DEPLOY MOA | SFP | 90/90 | 15 MOA | 3.6" | 23-6 | 23 | 13.9" |
| RN4164BS3 | 4-16x44 | Multi-X | SFP | 90/90 | 15 MOA | 3.6" | 23-6 | 23 | 13.9" |
| RN4164GS1 | 4-16x44 | DEPLOY MOA | SFP | 90/90 | 15 MOA | 3.6" | 23-6 | 23 | 13.9" |
| RN4164GS3 | 4-16x44 | Multi-X | SFP | 90/90 | 15 MOA | 3.6" | 23-6 | 23 | 13.9" |
| RN4164BF1 | 4-16x44 | DEP. MOA FFP | FFP | 90/90 | 15 MOA | 3.6" | 23-6 | 23 | 13.9" |
| RN4164GF1 | 4-16x44 | DEP. MOA FFP | FFP | 90/90 | 15 MOA | 3.6" | 23-6 | 23 | 13.9" |
| RN4164BF2 | 4-16x44 | DEP. MIL FFP | FFP | 26.8 MIL/26.8 MIL | 10 MIL | 3.6" | 23-6 | 23 | 13.9" |
| RN5204BS1 | 5-20x44 | DEPLOY MOA | SFP | 80/80 | 15 MOA | 3.7" | 19-5 | 24.06 | 13.9" |
| RN5204BS3 | 5-20x44 | Multi-X | SFP | 80/80 | 15 MOA | 3.7" | 19-5 | 24.06 | 13.9" |
| RN5204GS1 | 5-20x44 | DEPLOY MOA | SFP | 80/80 | 15 MOA | 3.7" | 19-5 | 24.06 | 13.9" |
| RN5204GS3 | 5-20x44 | Multi-X | SFP | 80/80 | 15 MOA | 3.7" | 19-5 | 24.06 | 13.9" |
| RN5204BF1 | 5-20x44 | DEP. MOA FFP | FFP | 80/80 | 15 MOA | 3.7" | 19-5 | 24.06 | 13.9" |
| RN5204GF1 | 5-20x44 | DEP. MOA FFP | FFP | 80/80 | 15 MOA | 3.7" | 19-5 | 24.06 | 13.9" |
| RN5204BF2 | 5-20x44 | DEP. MIL FFP | FFP | 23.9 MIL/23.9 MIL | 10 MIL | 3.7" | 19-5 | 24.06 | 13.9" |
| RN6245BS1 | 6-24x50 | DEPLOY MOA | SFP | 60/60 | 15 MOA | 3.6" | 16-4 | 26.3 | 14.4" |
| RN6245BS3 | 6-24x50 | Multi-X | SFP | 60/60 | 15 MOA | 3.7" | 16-4 | 26.3 | 14.4" |
| RN6245GS1 | 6-24x50 | DEPLOY MOA | SFP | 60/60 | 15 MOA | 3.7" | 16-4 | 26.3 | 14.4" |
| RN6245GS3 | 6-24x50 | Multi-X | SFP | 60/60 | 15 MOA | 3.7" | 16-4 | 26.3 | 14.4" |
| RN6245BF1 | 6-24x50 | DEP. MOA FFP | FFP | 60/60 | 15 MOA | 3.7" | 16-4 | 26.3 | 14.4" |
| RN6245GF1 | 6-24x50 | DEP. MOA FFP | FFP | 60/60 | 15 MOA | 3.7" | 16-4 | 26.3 | 14.4" |
| RN6245BF2 | 6-24x50 | DEP. MIL FFP | FFP | 17.9 MIL/17.9 MIL | 10 MIL | 3.7" | 16-4 | 26.3 | 14.4" |
| RN1624BS9 * | 1-6x24 | German #4l Thin | SFP | 45/45 | 100 cm | 90 mm | 38.1-3.7 m@100m | 482 g | 29.5 cm |
| RN2155BS9 * | 2.5-15x50 | German #4l Thin | SFP | 35/35 | 100 cm | 100 mm | 13.7-2.3 m@100m | 649 g | 39.0 cm |
| RN31856BS9 * | 3-18x56 | German #4l Thin | SFP | 42/42 | 100 cm | 100 mm | 11-2 m@100m | 629 g | 37.3 cm |

* disponible solo en la UE, estos modelos tienen retículas alemanas iluminadas # 4l. Vea la página siguiente para información adicional.

Instrucciones especiales solo para modelos europeos (RN1624BS9/RN2155BS9/RN31856BS9)

FUNCIONAMIENTO DE LA RETÍCULA ILUMINADA/SUSTITUCIÓN DE LA PILA (Sólo modelos de la UE)

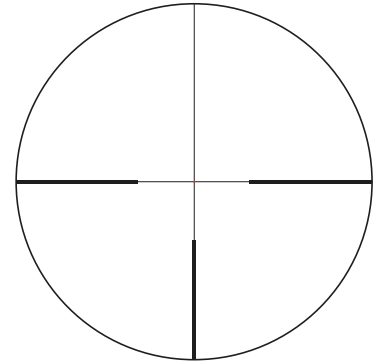
El punto rojo en el centro de la cruz reticular está iluminado. El dial de ajuste de la iluminación está en el lado opuesto al de ajuste de la desviación (en el modelo RN2155BS9/RN31856BS9: en el extremo de la perilla de enfoque lateral), numerado de 1 a 6. Para aumentar el brillo, ajuste el control en un número superior (opuesto al punto índice blanco). Para apagar la iluminación, y cuando guarde el visor, ajuste el dial en cualquiera de las posiciones de apagado "Off" (puntos) entre cada uno de los ajustes de iluminación numerados.

Para cambiar la pila, quite la tapa de la perilla de control de ajuste del brillo con una moneda (ver foto, derecha) e inserte una pila CR2032 con el signo "+" hacia arriba.



RETÍCULA DE ESTILO ALEMÁN N. ° 41 (Sólo modelos de la UE)

La retícula de estilo alemán n. ° 41 "Thin" presenta líneas cuadrículadas y en negrita en los laterales y en la parte inferior, que ayudan al tirador a localizar rápidamente el punto de mira, especialmente en condiciones de poca luz, donde las líneas de la retícula más delgadas pueden ser difíciles de ver. La parte superior del campo se mantiene libre de obstrucciones. También cuenta con un punto central luminoso de color rojo, lo que la convierte en una retícula ideal para acciones de caza crepusculares o nocturnas.



MÉTODO DE PRUEBA DEL CALIBRE (Sólo modelos de la UE)

1. Coloca un objetivo a una distancia de entre 25 a 50 metros.
2. Retire el pasador del rifle.
3. Coloque el rifle en sacos de arena o un apoyo de tiro.
4. Establezca el visor a su aumento más bajo.
5. Mire a través del orificio del calibre y ajuste la posición del rifle para centrar la diana del objetivo en el calibre (Fig. A).
6. Sin mover el rifle, mire a través del visor y compruebe la posición de la retícula en el objetivo. En los modelos que las tengan, retire las tapas de los ajustes de elevación y desviación. En el modelo 2.5-15x50, tire de la torreta hacia arriba (elevación) o hacia afuera (desviación) para desbloquearla antes de realizar el ajuste. Ajuste la elevación y la resistencia del viento para centrar la retícula en la diana (fig. B). Cada "clic" o incremento en el ajuste cambiará el impacto de la bala en 1 cm por cada 100 metros (0,5 cm por cada 50 metros, 2 cm por cada 200 metros, etc.).

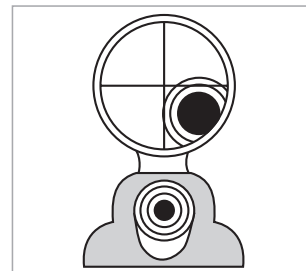


Fig. A
Retícula no alineada

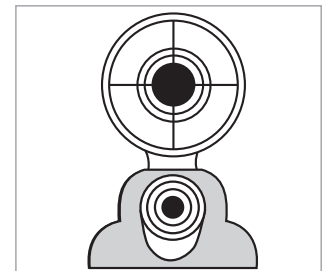


Fig. B
Retícula alineada

PRUEBAS FINALES (Sólo modelos de la UE)



PRECAUCIÓN: PUESTO QUE ESTE PROCEDIMIENTO INCLUYE FUEGO REAL, DEBERÍA LLEVARSE A CABO EN UNA GALERÍA AUTORIZADA U OTRA ZONA SEGURA. COMPRUEBE QUE EL CALIBRE NO TENGA OBSTRUCCIONES. UN CALIBRE OBSTRUIDO PUEDE CAUSARLE LESIONES A USTED Y A OTRAS PERSONAS CERCANAS. SE RECOMIENDA USAR PROTECCIÓN DE OJOS Y OÍDOS.

1. Desde una posición de descanso constante, dispare dos o tres rondas a un objetivo a una distancia de 100 metros. Apunte el impacto de la bala en el objetivo y ajuste los diales de elevación y resistencia al viento según sea necesario.
2. Para mover el impacto de la bala, gire los diales de ajuste de desviación y/o elevación en la dirección que corresponda hacia el punto de impacto del objetivo (por ejemplo, si los tiros de prueba son bajos, ajuste la elevación "hacia abajo"). Los ajustes en su modelo de visor para rifles están marcados en CM (centímetros) y el punto de impacto a 100 metros cambiará en 1 cm por cada clic del ajuste de elevación o desviación. Una vuelta completa del ajuste = 100 cm.
3. Cuando el impacto en el objetivo a una distancia de 100 metros sea satisfactorio, cambie a un objetivo establecido a la distancia deseada para la preparación para el disparo. Establezca la ampliación a la potencia deseada en los modelos de potencia variable.



Los productos fabricados a partir de abril de 2017 están cubiertos por la Garantía Ironclad de Bushnell. La Garantía Ironclad es una garantía de por vida que cubre la vida útil de este Producto. Cada producto tiene una vida definida; las vidas pueden variar de 1 a 30 años. La vida útil de este producto se puede encontrar en el sitio web que se detalla a continuación y/o en la página web de Bushnell específica para este Producto.

Garantizamos que este producto está libre de defectos en materiales y mano de obra y cumplirá con todos los estándares de rendimiento representados durante la vida útil de este producto. Si este Producto no funciona correctamente debido a un defecto cubierto, nosotros, a nuestra discreción, lo repararemos o lo reemplazaremos y se lo enviaremos sin cargo. Esta garantía es totalmente transferible y no requiere recibo, tarjeta de garantía ni registro de productos. Esta garantía no cubre lo siguiente: componentes electrónicos; baterías; daño estético; daño causado por no mantener adecuadamente el producto; pérdida; robo; daños como resultado de una reparación, modificación o desensamblaje no autorizado; daño intencional, mal uso o abuso; y el desgaste normal. Esta Garantía será nula si el sello de fecha u otros códigos de serialización han sido eliminados del Producto.

Para ver la garantía completa y encontrar detalles sobre cómo solicitar el servicio bajo la garantía, visite nuestro sitio web en www.bushnell.com/warranty. Alternativamente, puede solicitar una copia de la garantía llamándonos al 1-800-423-3537 o escribiéndonos a una de las siguientes direcciones:

EN ESTADOS UNIDOS enviar a
Bushnell Outdoor Products
Attn.: Repairs
9200 Cody
Overland Park, Kansas 66214

EN CANADÁ enviar a:
Bushnell Outdoor Products
Attn.: Repairs
140 Great Gulf Drive, Unit B
Vaughan, Ontario L4K 5W1

Para los productos comprados fuera de Estados Unidos o Canadá, póngase en contacto con su distribuidor local para obtener información sobre la garantía aplicable.

Esta garantía le otorga derechos legales específicos.
Es posible que tenga otros derechos que varíen de un país a otro.

© 2019 Bushnell Outdoor Products

Herzlichen Glückwunsch zum Kauf eines **Bushnell® Nitro™**-Zielfernrohrs! Sie sind jetzt Besitzer eines der technologisch fortschrittlichsten Zielfernrohre der Branche. Bushnell gewährleistet absolute Produktintegrität und Qualitätskontrolle während des gesamten Design-, Produktions- und Lieferzyklus dieser Zielfernrohre.



WARNUNG: SCHAUEN SIE MIT DEM ZIELFERNROHR (ODER EINEM ANDEREN OPTISCHEN INSTRUMENT) NIEMALS IN DIE SONNE. DIES KANN DAUERHAFTHE AUGENSCHÄDEN VERURSACHEN.

MERKMALE DES NITRO ZIELFERNROHRS

Für Jäger und Scharfschützen gleichermaßen findet sich ein Bushnell® Nitro™-Zielfernrohr, das ihre Anforderungen erfüllt. Alle Konfigurationen sind so konstruiert, dass sie allen Umgebungsbedingungen standhalten. Die vollständig und mehrfach vergütete Optik sorgt für helle, kontrastreiche Bilder bei minimaler Augenbeanspruchung. Nitro™ Zielfernrohre bieten unabhängig vom Szenario eine Lösung.

Alle äußeren Linsenoberflächen verfügen über unsere neue EXO Barrier™™-Beschichtung. EXO Barrier ist schlichtweg die beste Linsenschutzbeschichtungstechnologie, die Bushnell je entwickelt hat. EXO Barrier wird am Ende des Beschichtungsprozesses hinzugefügt, verbindet sich auf molekularer Ebene mit der Linse und füllt die mikroskopischen Poren des Glases aus. Das Ergebnis ist eine ultraglatte Beschichtung, die Wasser, Öl, Nebel, Staub und Schmutz abstößt - Regen, Schnee, Fingerabdrücke und Schmutz bleiben nicht haften. EXO Barrier ist langanhaltend: die gebundene Beschichtung vergeht mit der Zeit und bei normaler Abnutzung nicht.

Alle Modelle des Nitro-Zielfernrohrs bieten:

- **KLARHEIT** - Optimale Auflösung und optimaler Kontrast bei allen Lichtverhältnissen
- **HOHE LICHTDURCHLÄSSIGKEIT** - Ultrabreitbandbeschichtung für optimale Klarheit und Farbgenauigkeit bei allen Lichtverhältnissen
- **SEITENPARALLAXE** - Einfache Korrektur von Parallaxenfehlern, ohne die Augen vom Ziel abzuwenden
- **VIELFALT** - Mehrere Konfigurationen mit Kappen oder Verstellknöpfen, Modelle erster und zweiter Brennebene und mehrere ballistische Absehooptionen für jeden Bedarf
- **SUCHERSCHUTZKAPPEN** - Die enthaltenen aufklappbaren Butler Creek® Sucherschutzkappen schützen die Linsen vor Staub und Schmutz
- **SONNENSCHUTZ** - Der enthaltene 2,5-Zoll-Sonnenschutz ist an sonnigen Tagen bei der Zielerfassung hilfreich

PFLEGE IHRES ZIELFERNROHRS

Ihr Zielfernrohr benötigt sehr wenig Wartung. Äußere Metalloberflächen sollten sauber gehalten werden. Ein leichtes Abstauben mit einem leicht angefeuchteten weichen Tuch reicht in den meisten Fällen aus.

Ihr neues Zielfernrohr verfügt über Seiten- und Höheneinstellknöpfe, die vollständig gegen Eindringen von Wasser abgedichtet sind. Wir empfehlen jedoch, dass Sie die Seiten- und Höhenverstellkappen auf den Verstellknöpfen lassen, (*nur Modelle mit abgedeckten Einstellungen*), außer wenn Sie Einstellungen vornehmen, um zu verhindern, dass sich dort Staub und Schmutz ansammelt.

Wir empfehlen außerdem, die Objektivschutzkappen anzubringen, wenn das Zielfernrohr nicht verwendet wird. Linsen sollten regelmäßig kontrolliert und immer sauber gehalten werden. Staub, Schmutz und Fingerabdrücke, die sich auf den Linsenoberflächen sammeln, verschlechtern die Bildqualität erheblich. Wenn sie für längere Zeit schmutzig bleiben, kann die Antireflexbeschichtung beschädigt werden. Obwohl die Linsenreinigung nicht schwierig ist, erfordert sie Sorgfalt und Geduld.

- Beginnen Sie mit einem Linsenpinsel oder einem kleinen, weichen Borstenpinsel. Wischen Sie lose Schmutzpartikel vorsichtig weg.
- Verwenden Sie als nächstes eine Ohrspritze oder eine Saugbirne (erhältlich in den meisten Drogerien), um den verbleibenden Schmutz oder Staub von den Linsenoberflächen zu blasen.
- Wenn eine weitere Reinigung erforderlich ist, verwenden Sie ein trockenes, weiches fusselfreies Tuch. Wischen Sie die Linse vorsichtig ab, fangen Sie in der Mitte mit einer kreisförmigen Bewegung an und arbeiten Sie sich dann nach außen bis zum Rand.
- Wenn das Problem dadurch nicht behoben wurde, wiederholen Sie den Vorgang mit Ihrer Atemfeuchtigkeit.

KERNELEMENTE EINES ZIELFERNROHRS

Es gibt vier Hauptelemente in einem Zielfernrohr:

- 1. Objektivlinse:** Dieses Objektiv hat drei Funktionen. Erstens ermöglicht es das Eindringen von Licht in das Zielfernrohr. Zweitens bestimmt es die Auflösung. Im Allgemeinen lassen größere Objektive mehr Licht in das Zielfernrohr eindringen und lösen Details besser auf als kleinere. Schließlich erzeugt es ein Bild, das die anderen Objektive auf eine brauchbare Größe vergrößern. Das Bild, das von dieser Linse erzeugt wird, steht auf dem Kopf.
- 2. Erektor-System:** Das Erektor-System erfüllt drei Funktionen. Die Hauptfunktion besteht darin, das Bild aufzurichten (d. h. das Bild richtig herum zu drehen) und es auf das Absehen auszurichten. Während dieses Vorgangs findet eine primäre Vergrößerung des Bildes statt. Diese beiden Funktionen sind das Ergebnis einer Linsenwirkung.



Die dritte Funktion ist eine mechanische Funktion. Die Erektor-Linsen sind in einem Rohr untergebracht, das an einem Ende befestigt ist, während das andere Ende des Rohrs sich frei bewegen und auf die Einstellungen der Skala reagieren kann. Durch Verschieben des Erektor-Systems wird der Zielpunkt des Zielfernrohrs an den Auftreffpunkt des Projektils angepasst.

- 3. Absehen:** Einfach ausgedrückt, es ist das Zielgerät, um das herum das Zielfernrohr gebaut ist. Dieses Element ersetzt das Visiersystem von Gewehren ohne Zielfernrohr.
- 4. Okular- oder Augenlinse:** Dieses Element sorgt für die sekundäre und letzte Vergrößerung des Bildes.

MONTAGE IHRES ZIELFERNROHRS

Ihr neues Zielfernrohr wird selbst mit seinem technologisch fortschrittlichen Design und seinen Leistungsmerkmalen nicht optimal funktionieren, wenn es nicht ordnungsgemäß montiert wird. Einer der wichtigsten Aspekte für die Genauigkeit Ihres Zielfernrohrs und Gewehrs ist die Auswahl der Halterung und die Sorgfalt, mit der die Montage durchgeführt wird. Zuverlässige Halterungen, die Ihr Zielfernrohr fest mit dem Gewehr verbinden, werden Sie mit Zuverlässigkeit und gleichbleibender Genauigkeit begeistern. Sie sollten bei der Auswahl eines Montagesystems genauso sorgfältig vorgehen wie bei der Auswahl Ihres Zielfernrohrs.

Denken Sie daran, dass nicht alle Zielfernrohre mit allen Befestigungen an allen Gewehren kompatibel sind. Wenn Sie irgendwelche Zweifel haben, sollten Sie den Rat Ihres örtlichen Händlers oder Büchsenmachers einholen.



WARNUNG: EIN ZIELFERNROHR SOLLTE NIEMALS ALS ERSATZ FÜR EIN FERNGLAS ODER EIN SPEKTIV BENUTZT WERDEN. DIES KÖNNTE DAZU FÜHREN, DASS SIE UNABSICHTLICH IHRE WAFFE AUF EINE PERSON RICHTEN.

VORLÄUFIGE ZIELFERNROHR-EINSTELLUNGEN

Vor der Installation des Zielfernrohrs empfehlen wir, den Fokus des Okulars auf Ihre individuelle Sehanforderung einzustellen. Die Fokussierung des Augenabstandes führt zu einer schärferen Fokussierung des Absehens, einem verbesserten optischen Bild und hilft, die Augenermüdung zu vermeiden, wenn das Zielfernrohr über längere Zeiträume verwendet wird. Halten Sie das Visier zum Nachfokussieren etwa 7 bis 10 cm (3 bis 4 Zoll) von Ihrem Auge entfernt und richten Sie es auf den offenen Himmel oder andere gleichmäßig beleuchtete Bereiche wie eine monoton bemalte Wand.

Blicken Sie schnell in das Zielfernrohr. Wenn das Absehen beim ersten Blick unscharf erscheint, ist es nicht fokussiert. Drehen Sie das Okular mehrmals im Uhrzeigersinn oder gegen den Uhrzeigersinn. Schauen Sie erneut in das Zielfernrohr, um die Schärfe des Absehens zu überprüfen. Denken Sie daran, nur einen kurzen Blick zu werfen, denn das Auge kompensiert die leichte Unschärfe. Wenn das Absehen immer noch unscharf erscheint, drehen Sie das Okular noch zwei bis drei Umdrehungen. Wiederholen Sie diesen Vorgang, bis das Absehen scharf und klar erscheint.

Wenn sich Ihre Augen im Laufe der Jahre nicht wesentlich verändern, müssen Sie diese Einstellung nicht erneut vornehmen.

BEFESTIGEN VON HALTERUNG, RINGEN UND ZIELFERNROHR AN IHREM GEWEHR



WARNUNG: BEVOR SIE MIT DER MONTAGE BEGINNEN, VERGEWISSERN SIE SICH, DASS DER ABZUG OFFEN IST, DER LADESTREIFEN ODER DAS MAGAZIN ENTFERNT WURDE UND DIE KAMMER FREI IST. BEGINNEN SIE NICHT MIT DER ARBEIT, BEVOR IHRE WAFFE GELEERT WURDE UND ALS GESICHERT ANZUSEHEN IST.



WARNUNG: WENN DAS ZIELFERNROHR NICHT AUSREICHEND WEIT VORN MONTIERT WIRD, KANN ES DURCH DIE RÜCKWÄRTSBEWEGUNG BEIM RÜCKSTOSS DER WAFFE DEN SCHÜTZEN VERLETZEN.

Bei der Montage Ihres Zielfernrohrs empfehlen wir, KEINE Abkürzungen zu nehmen, da dies zu Schäden am Montagesystem oder am Zielfernrohr führen kann. Jedes Montagesystem hat seine eigenen Anweisungen zu befolgen, und es ist am besten, die Anweisungen zuerst zu lesen, um sicherzustellen, dass Sie sie verstehen und die notwendigen Werkzeuge zur Hand haben.

Wir empfehlen Ihnen außerdem, die Montage zweimal durchzuführen. Das erste Mal, um sicherzugehen, dass alles zusammenpasst und richtig funktioniert. Beachten Sie beim ersten Durchlauf Folgendes:

- Bevor Sie den Sockel befestigen, reinigen Sie die Befestigungslöcher im Empfänger und die Gewinde der Befestigungsschrauben mit Aceton oder einem anderen geeigneten Lösungsmittel, um sie von Öl oder Fett zu befreien.
- Wenn der Hersteller der Halterung die Verwendung eines Gewindeklebers empfohlen hat, verwenden Sie ihn nicht beim ersten Montageversuch. Sobald der Klebstoff erstarrt ist, wird es schwierig zu demontieren, wenn etwas korrigiert werden muss.
- Achten Sie darauf, dass die Befestigungsschrauben nicht in den Empfänger oder den Lauf ragen.
- Bei Verwendung von Schwalbenschwanzbefestigungen darf das Zielfernrohr bei der Montage des Zielfernrohrs nicht als Hebel verwendet werden. Der anfängliche Drehwiderstand kann zu Schäden am Zielfernrohr führen und wird nicht von der Garantie abgedeckt. Wir empfehlen die Verwendung eines 2,5 cm (1 Zoll) langen Holzdübels oder eines Metallzylinders, um die Ringe zu setzen.
- Stellen Sie sicher, dass die Position des Zielfernrohrs den Abzug nicht beeinträchtigt.
- Vergewissern Sie sich, dass zwischen den Rändern der Ringe und den überstehenden Flächen, wie z. B. dem Revolvergehäuse (Sattel), dem Einstellring und dem Aufflackern der Objektivglocke, ein Mindestabstand von 0,3 cm (1/8 Zoll) besteht. Stellen Sie außerdem sicher, dass zwischen der Objektivglocke und dem Lauf ein Abstand von mindestens 0,3 cm (1/8 Zoll) besteht.
- Sie sollten die Position des Zielfernrohrs für die richtige Augenentlastung testen. Die Zielfernrohrringe sollten locker genug sein, damit das Zielfernrohr leicht gleiten kann. Zielfernrohre mit variabler Leistung sollten bei dieser Vorgehensweise auf die höchste Vergrößerung eingestellt werden. Montieren Sie das Gewehr und schauen Sie in normaler Schussposition durch das Zielfernrohr.
- Testen Sie das Gewehr für eine Position mehrere Male, um sicherzustellen, dass Ihr Zielfernrohr korrekt positioniert ist.
- Wenn Sie zufrieden sind und alles in Ordnung ist, demontieren und beginnen Sie erneut. Dieses Mal alle Schrauben fest anziehen.

PARALLAXENAUSGLEICH / SEITENFOKUS

Mit dem Parallaxendrehknopf oder der Seitenfokuseinstellung wird der Parallaxenfehler korrigiert. Ein Parallaxenfehler tritt auf, wenn das anvisierte Ziel und das Absehen nicht in derselben Brennebene liegen. Mit der Seitenfokuseinstellung wird ein optisches Element im Zielfernrohr so versetzt, dass das empfangene Bild innerhalb des Zielfernrohrs in derselben Brennebene wie das Absehen angezeigt und der Parallaxenfehler damit beseitigt wird. Der Parallaxenfehler führt zu Unstimmigkeiten hinsichtlich des Auftreffpunkts. Dies lässt sich am besten beobachten, wenn Sie ein 90-Meter-Ziel (100 Yards) betrachten, während der Seitenfokus auf 450 Meter (500 Yards) eingestellt ist. Wenn Sie Ihren Kopf langsam nach links und rechts oder nach oben und unten bewegen, können Sie an der Stelle, an der sich die Achsen schneiden, eine Bewegung feststellen. Wenn Sie Ihre Seitenfokuseinstellung jedoch auf 90 Meter (100 Yards) ändern, während Sie das 90-Meter-Ziel betrachten, bewegt sich der Schnittpunkt der Achsen nicht. Beachten Sie, dass die Abstandsmarkierungen auf der Skala nur als Referenzpunkte dienen. Nach Einstellungen am Okular können genaue Seitenfokuseinstellungen erforderlich sein, um ein hochauflösendes, parallaxfreies Bild zu erreichen.

VORLÄUFIGES EINSCHIESSEN

Sie können eine erhebliche Menge an Kosten und Frustration sparen, indem Sie das Zielfernrohr vor dem Einschießen in den Bereich auf Null setzen.

Es gibt zwei grundlegende Methoden, die zum Einschießen des Zielfernrohrs verwendet werden können. Die erste Methode ist das Verwenden einer Bushnell® Bore Sighter (Laser, magnetisch oder Standard). Der Einsatz eines Bore Sighters spart Zeit und Munition und ist das am häufigsten von Büchsenmachern verwendete System. Die zweite Methode ist das traditionelle Einvisieren:

EINVISIEREN

1. Setzen Sie ein Ziel auf 23 bis 45 Meter (25 bis 50 Yards).
2. Entfernen Sie den Bolzen vom Gewehr.
3. Legen Sie das Gewehr auf Sandsäcke oder auf eine Schießbank.
4. Stellen Sie das Zielfernrohr auf die niedrigste Vergrößerung ein.

- Schauen Sie durch den Lauf des Empfängers und stellen Sie die Position des Gewehrs so ein, dass das Zielobjekt im Lauf zentriert erscheint (*Abb. A*).
- Schauen Sie, ohne das Gewehr zu bewegen, in das Zielfernrohr und notieren Sie die Position des Absehens auf dem Ziel. Entfernen Sie die Kappen bei Modellen mit Seiten- und Höhenverstellungskappen. Passen Sie die Seiten- und Höhenverstellungskappen an, um das Absehen auf dem Bullauge zu zentrieren (*Abb. B*).

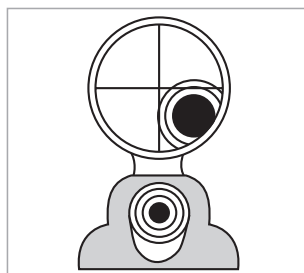


Abb. A
Absehen nicht ausgerichtet

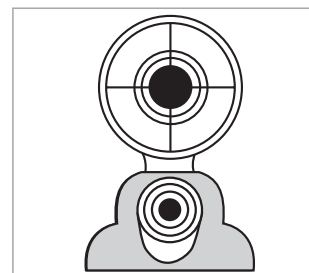


Abb. B
Absehen ausgerichtet

LETZTES EINSCHIESSEN



WARNUNG: DA DIESER VORGANG SCHARFSCHIEßEN BEINHÄLTET, MUSS ER INNERHALB EINER ZUGELASSENEN ANLAGE ODER EINES ANDEREN SICHEREN GEBIETES ERFOLGEN. DEN LAUF AUF VERSTOPFENDE OBJEKTE PRÜFEN. EIN VERSTOPFTER LAUF KANN IHNEN UND ANDEREN IN IHRER NÄHE SCHADEN ZUFÜGEN. WIR EMPFEHLEN DIE VERWENDUNG VON AUGEN- UND GEHÖRSCHUTZ.

- Feuern Sie aus einer Ruheposition zwei oder drei Runden auf ein 90-Meter-Ziel (100 Yards). Notieren Sie den Treffpunkt des Projektils auf dem Ziel und passen Sie die Höhen- und Seitenskalen nach Bedarf an.
- Um den Treffpunkt des Projektils zu verändern, drehen Sie die Höhen- und/oder Seitenverstellungskappen in die Richtung auf der Skala, die dem Punkt entspricht, an dem der Treffpunkt auf dem Ziel fällt (wenn beispielsweise Testschüsse niedrig sind, stellen Sie die Höhe nach unten ein). Wenn die Einstellungen an Ihrem Zielfernrohrmodell in MOA (Bogenminuten) markiert sind, ändert sich der Aufschlagpunkt bei 90 Metern (100 Yards) um 1/4 MOA für jeden Klick der Seiten- und Höheneinstellung (oder um 0,34 Zoll bzw. 0,85 cm pro Klick, wenn die Einstellungen in Mil markiert sind). Eine volle Umdrehung der Einstellung = 15 MOA (oder 10 Mils bei Mil-basierten Modellen).
- Wenn der Aufprall auf das 90-Meter-Ziel (100 Yards) zufriedenstellend ist, wechseln Sie zu einem Ziel, das in der gewünschten Entfernung für den endgültigen Nullabgleich eingestellt wurde. Stellen Sie die Vergrößerung bei Modellen mit variabler Leistung auf die gewünschte Leistung ein.

ZURÜCKSETZEN DES VERSTELLKNOPF-NULLSTRICHS

Nachdem Sie Ihr Gewehr auf Null gesetzt haben:

- Schrauben Sie die äußere Kappe des Verstellknopfs ab (drehen Sie sie gegen den Uhrzeigersinn) und legen Sie sie beiseite (*Abb. 1*).
- Halten Sie den Verstellknopf so, dass er sich nicht dreht, schrauben Sie den flachen Deckel auf der Oberseite des Verstellknopfs gegen den Uhrzeigersinn ab und legen Sie ihn zur Seite. (*Abb. 2*).
- Ziehen Sie den losen Revolverring nach oben und vom Zielfernrohr ab und positionieren Sie ihn dann so, dass die Null („0“) auf der Skala des Revolverrings mit der weißen Indexmarkierung übereinstimmt, wenn Sie den Revolverring wieder nach unten auf den Revolverkörper setzen. (*Abb. 3*).
- Setzen Sie den flachen Deckel wieder auf die Oberseite des Verstellknopfs und drehen Sie ihn im Uhrzeigersinn, bis er handfest sitzt (nicht zu fest anziehen). Setzen Sie die äußere Abdeckung wieder auf.



ABSEHEN IN DER ERSTEN UND ZWEITEN BRENNEBENE

Bei manchen Nitro Zielfernrohren, die in diesem Handbuch behandelt werden, befinden sich die Absehen in der ersten Brennebene ("FFP"). Daher nimmt die Größe des Absehens zu, wenn der Vergrößerungsfaktor erhöht wird. Mit dieser Funktion ist die fortgesetzte Nutzung des im Absehen enthaltenen MOA- oder Mil-Maßsystems unabhängig von der Vergrößerungseinstellung möglich. Die Absehen in der zweiten Brennebene ("SFP") behalten eine konstante Größe bei, der Anwender muss Messungen jedoch mit einer bestimmten Leistung vornehmen, da die Größe des Absehens gleich bleibt und unterschiedliche Vergrößerungsstufen nicht berücksichtigt werden.

DAS BUSHNELL DEPLOY™ MOA-ABSEHEN

Das Bushnell® Deploy™ MOA-Absehen ist auf Vielseitigkeit ausgelegt. Es ist nützlich für Jäger, Sportschützen und Liebhaber mehrerer Kaliber – für jeden, der nach einer flexiblen Optik sucht. Die Achsen des Fadenkreuzes mit einer Breite von 0,18 MOA sind leicht zu erkennen und behindern nicht die Sicht auf das Zielbild. Markierungen bei jeweils 1 MOA dienen einem genauen Höhenvorhalt. Die Markierungen unter Null sind 2 MOA breit, um präzise Seitenpositionen zu unterstützen. Mit genauen ballistischen Berechnungen sorgt das Deploy MOA-Absehen stets für präzise Schüsse.

EINSCHIESSEN / HALTEPUNKTE

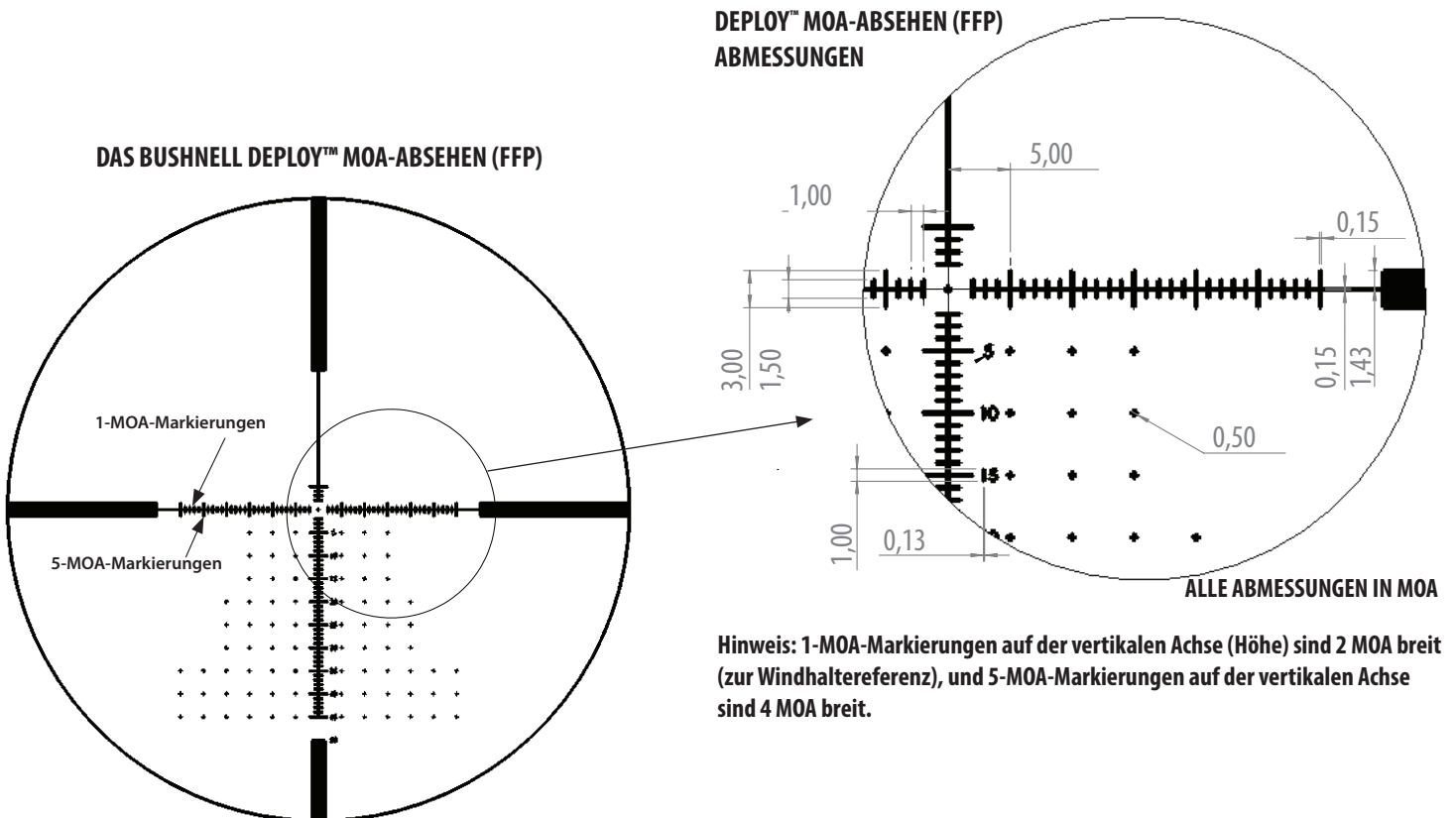
Das Deploy MOA-Absehen soll auf 90 Meter (100 Yards) eingeschossen werden und ist in MOA (Bogenminuten) kalibriert. Das Absehen zeigt alle 5 MOA breitere Markierungen. Der Anwender kann das Einschießen auf 90 Meter (100 Yards) bei jeder Vergrößerungseinstellungen vornehmen, aber damit das Funktionsmerkmal des Deploy MOA-Absehens (Entfernungs- und Seitenmarkierungen) bei SFP-Modellen ordnungsgemäß funktioniert (siehe Tabelle "Technische Daten"), muss die Vergrößerung des Zielfernrohrs auf die höchste Leistungsstufe eingestellt werden (ausgenommen das Modell 6-24x50, das auf **20x** eingestellt werden sollte). Die richtigen Einstellungen für die Nitro-Modelle, die das Deploy MOA-Absehen in der zweiten Brennebene enthalten, sind im Diagramm auf der rechten Seite abgebildet.

| Modell | Eingestellt auf: |
|-------------|------------------|
| 2,5-10x44mm | 10x |
| 3-12x44mm | 12x |
| 4-16x44mm | 16x |
| 5-20x44mm | 20x |
| 6-24x50mm | 20x |

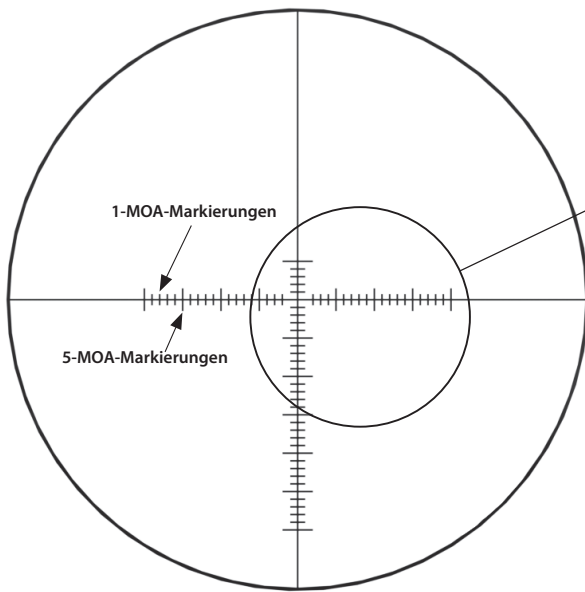
KOMPENSATION DER WINDEFFEKTE / HALTEPUNKTE

Im Deploy MOA-Absehen sind auch Seitenhaltepunkte auf der horizontalen Achse integriert, die bei der Kompensation der Windeinwirkung auf die Flugbahn des Projektils hilfreich sind. Die einzelnen Seitenhaltemarkierungen haben einen Abstand von 1 MOA, mit stärkeren Markierungen alle 5 MOA. Die ersten 1-MOA-Markierungen auf der vertikalen Achse (Höhenachse) sind auch für die Seitenverstellung nützlich, da jede Markierung 2 MOA breit ist. Um die Seitenhaltemarkierungen zu verwenden, ermitteln Sie zunächst mit einem Bushnell Laser-Entfernungsmesser (oder mit dem Absehen zur Abschätzung der Entfernung, siehe den nächsten Abschnitt dieses Handbuchs) die Entfernung zum Ziel. Sobald die Entfernung zum Ziel zur Verfügung steht, muss eine Abschätzung der Windgeschwindigkeit vorgenommen werden. Das Absehen kann dann auf die richtige Entfernungsmarkierung hochgeschwenkt und danach mithilfe der MOA-Windmarkierungen auf dem Deploy-Absehen horizontal in Windrichtung bewegt werden, um den Geschossabfall und die Winddrift auszugleichen. Nachstehend finden Sie Abbildungen der Absehen-Markierungen.

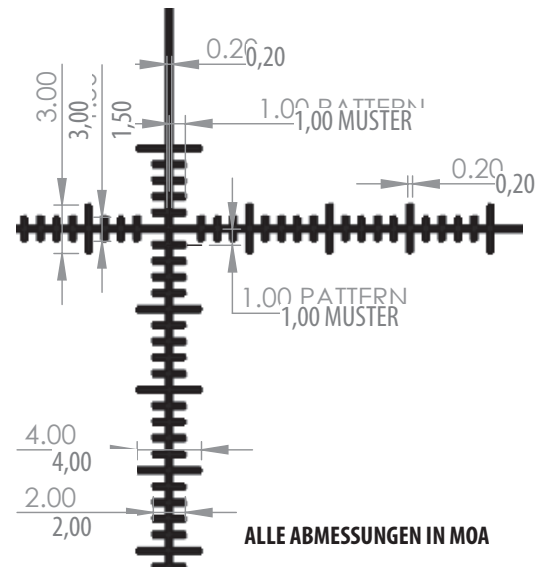
Das Deploy-Absehen ist für die Verwendung mit allen Kalibern, Projektilgewichten und -geschwindigkeiten ausgelegt. Führen Sie einfach die Berechnung der Ballistik mit bekannter Geschwindigkeit, ballistischem Koeffizienten, Nulldistanz und Umgebungsdaten aus, um Ihre MOA-Abfallpunkte bei verschiedenen Entfernungen zu erhalten. Abbildungen der Absehen-Markierungen finden Sie nachstehen (Deploy FFP-Version) und auf der nächsten Seite (Deploy SFP-Version).



DAS BUSHNELL DEPLOY™ MOA-ABSEHEN (SFP)



DEPLOY™ MOA-ABSEHEN (SFP) ABMESSUNGEN



Hinweis: 1-MOA-Markierungen auf der vertikalen Achse (Höhe) sind 2 MOA breit (zur Windhalterefferenz), und 5-MOA-Markierungen auf der vertikalen Achse sind 4 MOA breit.

ENTFERNUNGSBESTIMMUNG MIT DEM BUSHNELL DEPLOY™ MOA-ABSEHEN

Die scheinbare Größe eines Objekts und seine Entfernung sind zueinander umgekehrt proportional. Wenn die Entfernung zu einem Objekt zunimmt, nimmt die scheinbare Größe eines Objekts ab. Angenommen, sie blicken auf ein Objekt, das 90 Meter (100 Yards) entfernt ist. Wenn Sie das Objekt näher heranbewegt hätten, sodass es die Hälfte dieser Strecke (45 Meter bzw. 50 Yards) von Ihrem Standort entfernt wäre, würde es doppelt so groß erscheinen (oder bei 180 Meter bzw. 200 Yards halb so groß).

Das Verhältnis zwischen Ihrer Entfernung zu einem Objekt und seiner wahrgenommenen Größe ermöglicht Ihnen, anhand seiner großen oder kleinen scheinbaren Abmessungen die Entfernung abzuschätzen, indem Sie mithilfe der Markierungen im Absehen die Höhe oder Breite des Objekts in MOA (Bogenminuten) oder Mil (Milliradian) ermitteln. Über den wahrnehmbaren Messwert für das Ziel können Sie die Entfernung zum Ziel bestimmen. Damit dieses Verfahren funktioniert, müssen Sie die Größe des Ziels kennen.

Um die Entfernung eines Ziels in MOA zu berechnen, multiplizieren Sie die bekannte Größe des Ziels in Zoll mit 95,5 und dividieren Sie das Ergebnis durch die Größe des Ziels, gemessen in MOA durch Ihr Zielfernrohr:

$$\frac{\text{Breite oder Höhe des gemessenen Objekts in Zoll} \times 95,5}{\text{Breite oder Höhe des Objekts in MOA}} = \text{Entfernung in Yards}$$

Diese Formel kann auch zur Abschätzung der Entfernung in Metern dienen. Verwenden Sie hierzu 87,3 statt 95,5 als Multiplikator, aber geben Sie die Höhe oder Breite des Objekts trotzdem in Zoll ein.

Schauen Sie durch Ihr Zielfernrohr (*stellen Sie bei einem SFP-Modell sicher, dass der Strom entsprechend dem Diagramm auf der vorigen Seite eingestellt ist*), wählen Sie ein Objekt in der Entfernung, das Sie bemessen möchten – ein Objekt, dessen Breite oder Höhe Sie genau kennen oder schätzen können. Künstliche Objekte von einheitlicher Größe, wie z. B. Zaunpfähle, sind am besten, aber jedes Objekt mit bekannten Abmessungen ist ausreichend. Messen Sie die Höhe oder Breite des Objekts sorgfältig in MOA, berechnen Sie es gemäß der Formel; so werden Sie die Reichweite herausfinden. Stützen Sie Ihr Gewehr und seien Sie genau, wenn Sie Gegenstände messen; Jeder Messfehler verursacht einen Fehler im berechneten Bereich. Gleichermäßen führt ein Fehler bei der Schätzung der Objektgröße zu einem proportionalen Fehler im Bereich.

Hier ist ein Beispiel: Ein Kojote sonnt sich in einem Schneefeld neben einem Zaunpfosten. Wenn Sie vorher den Zaun überquert haben, wissen Sie, dass der Pfosten etwa vier Fuß oder 48 Zoll (1,2 Meter) hoch ist. Der Zaunpfosten misst in Ihrem Absehen 7 MOA.

$$\frac{48 \text{ Zoll} \times 95,5}{7 \text{ MOA}} = \frac{4584}{7} = 655 \text{ Yards}$$

Im Gegensatz zur Mil-Formel (*siehe nächster Abschnitt*) sollte diese Formel nur bei der Arbeit mit Zielgrößen in Zoll und Entfernungen in Yards eingesetzt werden. Falls benötigt, gibt es jedoch alternative Zahlen, die in der Formel verwendet werden können.

DAS BUSHNELL DEPLOY™ MIL-ABSEHEN

Das Bushnell® Deploy™ Mil-Absehen bietet eine sehr präzise Möglichkeit zur Abschätzung von Entfernungen. Die Mil-Markierungen ermöglichen auch präzise Führungen für bewegte Ziele und eine exakte Kompensation für das Schießen bei Seitenwind. Markierungen bei jeweils 0.5 Mil dienen einem genauen Höhenvorhalt. Mit genauen ballistischen Berechnungen sorgt das Deploy MOA-Absehen stets für präzise Schüsse.

EINSCHIESSEN / HALTEPUNKTE

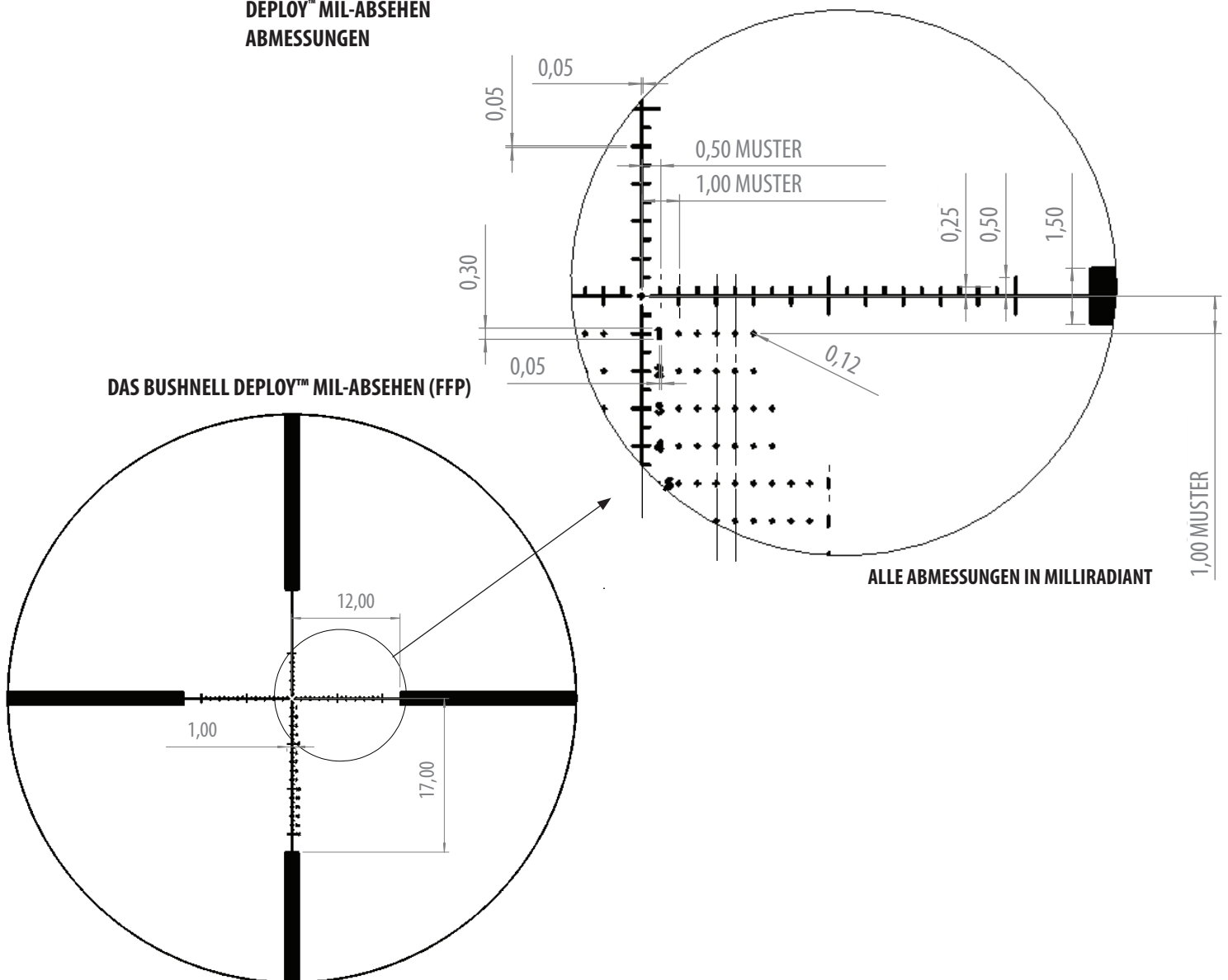
Das Deploy Mil-Absehen soll auf 90 Meter (100 Yards) eingeschossen werden und ist in Mil (Milliradian) kalibriert. Das Absehen zeigt alle 5 Mil breitere Markierungen. Der Anwender kann das Einschießen auf 90 Meter (100 Yards) bei jeder Vergrößerungseinstellung vornehmen, da alle Deploy Mil-Modelle FFP-Absehen verwenden.

KOMPENSATION DER WINDEFFEKTE / HALTEPUNKTE

Im Deploy Mil-Absehen sind auch Seitenhaltepunkte auf der horizontalen Achse integriert, die bei der Kompensation der Windeinwirkung auf die Flugbahn des Projektils hilfreich sind. Die einzelnen Seitenhaltemarkierungen haben einen Abstand von 0.5 Mil, mit längeren Markierungen alle 5 Mil. Die ersten 1-Mil-Markierungen auf der vertikalen Achse (Höhenachse) sind auch für die Seitenverstellung nützlich, da jede Markierung 2 Mil breit ist. Um die Seitenhaltemarkierungen zu verwenden, ermitteln Sie zunächst mit einem Bushnell Laser-Entfernungsmesser die Entfernung zum Ziel. Sobald die Entfernung zum Ziel zur Verfügung steht, muss eine Abschätzung der Windgeschwindigkeit vorgenommen werden. Das Absehen kann dann auf die richtige Entfernungsmarkierung hochgeschwenkt und danach mithilfe der Mil-Windmarkierungen auf dem Deploy-Absehen horizontal in Windrichtung bewegt werden, um den Geschossabfall und die Winddrift auszugleichen. Nachstehend finden Sie Abbildungen der Absehen-Markierungen.

Das Deploy MIL-Absehen ist für die Verwendung mit allen Kalibern, Projektilgewichten und -geschwindigkeiten ausgelegt. Führen Sie einfach die Berechnung der Ballistik mit bekannter Geschwindigkeit, ballistischem Koeffizienten, Nulldistanz und Umgebungsdaten aus, um Ihre Mil-Abfallpunkte bei verschiedenen Entfernungen zu erhalten.

DEPLOY™ MIL-ABSEHEN ABMESSUNGEN



ENTFERNUNGSBESTIMMUNG MIT DEM BUSHNELL DEPLOY™ MIL-DOT-ABSEHEN

Das Mil ist ein Winkelmaß -- 1/6400 eines Kreises -- was fast genau einem Yard bei 1000 Yards oder einem Meter bei 1000 Metern entspricht. Diese proportionale Beziehung ermöglicht eine einfache Formel zur Berechnung von Entfernungen:

$$\frac{\text{Breite oder Höhe des gemessenen Objekts in Yards} \times 1000}{\text{Breite oder Höhe des Objekts in Mil}} = \text{Entfernung in Yards}$$

Diese Formel funktioniert genauso gut mit Metern, aber vermischen Sie nicht Meter und Yards: Messen Sie das Objekt in Yards, um die Entfernung in Yards zu ermitteln, und verwenden Sie Meter, um Entfernungen in Metern zu erhalten. Schauen Sie durch Ihr Zielfernrohr, wählen Sie ein Objekt in der Entfernung, das Sie bemessen möchten - ein Objekt, dessen Breite oder Höhe Sie genau kennen oder abschätzen können. Künstliche Objekte von einheitlicher Größe, wie z. B. Zaunpfähle, sind am besten, aber jedes Objekt mit bekannten Abmessungen ist ausreichend. Messen Sie die Höhe oder Breite des Objekts sorgfältig in Mil, berechnen Sie es gemäß der Formel; so werden Sie die Reichweite herausfinden. Stützen Sie Ihr Gewehr und seien Sie genau, wenn Sie Gegenstände messen; Jeder Messfehler verursacht einen Fehler im berechneten Bereich. Gleichermäßen führt ein Fehler bei der Schätzung der Objektgröße zu einem proportionalen Fehler im Bereich.

Hier ist ein Beispiel: Ein Kojote sonnt sich in einem Schneefeld neben einem Zaunpfosten. Wenn Sie vorher den Zaun überquert haben, wissen Sie, dass der Pfosten etwa vier Fuß oder 1,33 Yards (1,2 Meter) hoch ist. Der Zaunpfosten misst 2,5 Mils in Ihrem Absehen.

$$\frac{1,33 \text{ Yards} \times 1000}{2,5 \text{ Mil}} = \frac{1330}{2,5} = 532 \text{ Yards}$$

HÖHE UND TEMPERATUR

Ballistische Karten, die von Munitionsherstellern veröffentlicht werden, basieren auf Standardbedingungen auf Meereshöhe. Beim Einschießen ist zu beachten, dass Höhe und Temperatur die Flugbahn beeinflussen. Es ist am Besten, das Einschießen unter den gleichen Bedingungen vorzunehmen, unter denen Sie jagen werden.

MÜSSEN SIE UNS IHR ZIELFERNROHR ZUSENDEN?

Bevor Sie Ihr Zielfernrohr an den Kundenservice senden, sollten Sie die folgenden Punkte überprüfen, um sicherzustellen, dass die Ursache des Problems am Zielfernrohr liegt:

- Überprüfen Sie das Montagesystem und die Ringe auf Lockerheit oder Fehlausrichtung.
- Vergewissern Sie sich, dass der Lauf und die Mechanik richtig gebettet und alle Schrauben fest angezogen sind.
- Vergewissern Sie sich, dass das Montagesystem einen ausreichenden Abstand zwischen der Objektivglocke und dem Lauf ermöglicht.
- Vergewissern Sie sich, dass Sie dieselbe Munition mit dem gleichen Typ und Gewicht verwenden, die Sie beim Einschießen verwendet haben.

TECHNISCHE DATEN

| MODELL NR. | VERGRÖßERUNG UND OBJ. DURCHM. | ABSEHEN | BRENNNEBE | HÖHEN/SEITENBEWEGUNG (MOA) | BEWEGUNG PRO UMDR. | AUGEN-ABSTAND (MAX LEIST) | SICHTFELD (FUSS bei 100 YARDS) | GEWICHT (OZ.) | LÄNGE (IN.) |
|--------------|-------------------------------|-----------------|-----------|----------------------------|--------------------|---------------------------|--------------------------------|---------------|-------------|
| RN2104BS1 | 2.5-10x44 | DEPLOY MOA | SFP | 60/60 | 15 MOA | 3.7" | 37-9.5 | 23.9 | 13.6" |
| RN2104BS3 | 2.5-10x44 | Multi-X | SFP | 60/60 | 15 MOA | 3.7" | 37-9.5 | 23.9 | 13.6" |
| RN2104GS1 | 2.5-10x44 | DEPLOY MOA | SFP | 60/60 | 15 MOA | 3.7" | 37-9.5 | 23.9 | 13.6" |
| RN2104GS3 | 2.5-10x44 | Multi-X | SFP | 60/60 | 15 MOA | 3.7" | 37-9.5 | 23.9 | 13.6" |
| RN2104BF1 | 2.5-10x44 | DEP. MOA FFP | FFP | 60/60 | 15 MOA | 3.7" | 37-9.5 | 23.9 | 13.6" |
| RN2104GF1 | 2.5-10x44 | DEP. MOA FFP | FFP | 60/60 | 15 MOA | 3.7" | 37-9.5 | 23.9 | 13.6" |
| RN2104BF2 | 2.5-10x44 | DEP. MIL FFP | FFP | 17.9 MIL/17.9 MIL | 10 MIL | 3.7" | 37-9.5 | 23.9 | 13.6" |
| RN3124BS1 | 3-12x44 | DEPLOY MOA | SFP | 90/90 | 15 MOA | 3.9" | 33.5-9 | 24.2 | 13.7" |
| RN3124BS3 | 3-12x44 | Multi-X | SFP | 90/90 | 15 MOA | 3.9" | 33.5-9 | 24.2 | 13.7" |
| RN3124GS1 | 3-12x44 | DEPLOY MOA | SFP | 90/90 | 15 MOA | 3.9" | 33.5-9 | 24.2 | 13.7" |
| RN3124GS3 | 3-12x44 | Multi-X | SFP | 90/90 | 15 MOA | 3.9" | 33.5-9 | 24.2 | 13.7" |
| RN3124BF1 | 3-12x44 | DEP. MOA FFP | FFP | 90/90 | 15 MOA | 3.9" | 33.5-9 | 24.2 | 13.7" |
| RN3124GF1 | 3-12x44 | DEP. MOA FFP | FFP | 90/90 | 15 MOA | 3.9" | 33.5-9 | 24.2 | 13.7" |
| RN3124BF2 | 3-12x44 | DEP. MIL FFP | FFP | 26.8 MIL/26.8 MIL | 10 MIL | 3.9" | 33.5-9 | 24.2 | 13.7" |
| RN4164BS1 | 4-16x44 | DEPLOY MOA | SFP | 90/90 | 15 MOA | 3.6" | 23-6 | 23 | 13.9" |
| RN4164BS3 | 4-16x44 | Multi-X | SFP | 90/90 | 15 MOA | 3.6" | 23-6 | 23 | 13.9" |
| RN4164GS1 | 4-16x44 | DEPLOY MOA | SFP | 90/90 | 15 MOA | 3.6" | 23-6 | 23 | 13.9" |
| RN4164GS3 | 4-16x44 | Multi-X | SFP | 90/90 | 15 MOA | 3.6" | 23-6 | 23 | 13.9" |
| RN4164BF1 | 4-16x44 | DEP. MOA FFP | FFP | 90/90 | 15 MOA | 3.6" | 23-6 | 23 | 13.9" |
| RN4164GF1 | 4-16x44 | DEP. MOA FFP | FFP | 90/90 | 15 MOA | 3.6" | 23-6 | 23 | 13.9" |
| RN4164BF2 | 4-16x44 | DEP. MIL FFP | FFP | 26.8 MIL/26.8 MIL | 10 MIL | 3.6" | 23-6 | 23 | 13.9" |
| RN5204BS1 | 5-20x44 | DEPLOY MOA | SFP | 80/80 | 15 MOA | 3.7" | 19-5 | 24.06 | 13.9" |
| RN5204BS3 | 5-20x44 | Multi-X | SFP | 80/80 | 15 MOA | 3.7" | 19-5 | 24.06 | 13.9" |
| RN5204GS1 | 5-20x44 | DEPLOY MOA | SFP | 80/80 | 15 MOA | 3.7" | 19-5 | 24.06 | 13.9" |
| RN5204GS3 | 5-20x44 | Multi-X | SFP | 80/80 | 15 MOA | 3.7" | 19-5 | 24.06 | 13.9" |
| RN5204BF1 | 5-20x44 | DEP. MOA FFP | FFP | 80/80 | 15 MOA | 3.7" | 19-5 | 24.06 | 13.9" |
| RN5204GF1 | 5-20x44 | DEP. MOA FFP | FFP | 80/80 | 15 MOA | 3.7" | 19-5 | 24.06 | 13.9" |
| RN5204BF2 | 5-20x44 | DEP. MIL FFP | FFP | 23.9 MIL/23.9 MIL | 10 MIL | 3.7" | 19-5 | 24.06 | 13.9" |
| RN6245BS1 | 6-24x50 | DEPLOY MOA | SFP | 60/60 | 15 MOA | 3.6" | 16-4 | 26.3 | 14.4" |
| RN6245BS3 | 6-24x50 | Multi-X | SFP | 60/60 | 15 MOA | 3.7" | 16-4 | 26.3 | 14.4" |
| RN6245GS1 | 6-24x50 | DEPLOY MOA | SFP | 60/60 | 15 MOA | 3.7" | 16-4 | 26.3 | 14.4" |
| RN6245GS3 | 6-24x50 | Multi-X | SFP | 60/60 | 15 MOA | 3.7" | 16-4 | 26.3 | 14.4" |
| RN6245BF1 | 6-24x50 | DEP. MOA FFP | FFP | 60/60 | 15 MOA | 3.7" | 16-4 | 26.3 | 14.4" |
| RN6245GF1 | 6-24x50 | DEP. MOA FFP | FFP | 60/60 | 15 MOA | 3.7" | 16-4 | 26.3 | 14.4" |
| RN6245BF2 | 6-24x50 | DEP. MIL FFP | FFP | 17.9 MIL/17.9 MIL | 10 MIL | 3.7" | 16-4 | 26.3 | 14.4" |
| RN1624BS9 * | 1-6x24 | German #41 Thin | SFP | 45/45 | 100 cm | 90 mm | 38.1-3.7 m@100m | 482 g | 29.5 cm |
| RN2155BS9 * | 2.5-15x50 | German #41 Thin | SFP | 35/35 | 100 cm | 100 mm | 13.7-2.3 m@100m | 649 g | 39.0 cm |
| RN31856BS9 * | 3-18x56 | German #41 Thin | SFP | 42/42 | 100 cm | 100 mm | 11-2 m@100m | 629 g | 37.3 cm |

*Nur in der EU verfügbar, diese Modelle haben deutsche Absehen Nr. 41 beleuchtet. Weitere Informationen finden Sie auf der nächsten Seite.

Besondere Anweisungen nur für europäische Modelle (RN1624BS9/RN2155BS9/RN31856BS9)

BETRIEB DES BELEUCHTETEN FADENKREUZES / BATTERIEAUSTAUSCH (Nur EU-Modelle)

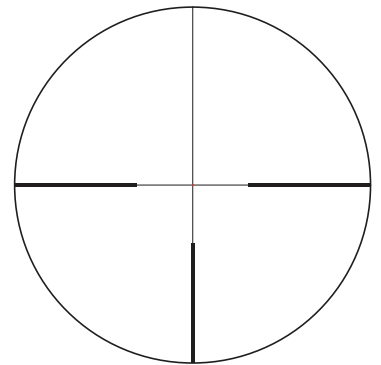
Der rote Punkt in der Mitte des Fadenkreuzes ist beleuchtet. Das Stellrad für die Beleuchtungsanpassung befindet sich gegenüber der Seitenanpassung (beim Modell RN2155BS9/RN31856BS9 am Ende des Seitenfokusknopfs) und ist von 1 bis 6 nummeriert. Stellen Sie den Regler, um die Helligkeit zu erhöhen, auf eine höhere Zahl (gegenüber dem weißen Indexpunkt). Um die Beleuchtung auszuschalten und wenn Sie das Zielfernrohr verstauen, stellen Sie das Stellrad auf eine der „Aus“-Positionen (Punkte) zwischen jeder nummerierten Beleuchtungseinstellung.



Entfernen Sie zum Wechseln der Batterien die Abdeckung auf dem Stellrad für die Helligkeitseinstellung mit einer Münze (siehe Foto rechts) und legen Sie eine CR2032-Batterie mit der „+“-Kennzeichnung nach oben ein.

DEUTSCHES #4I FADENKREUZ (Nur EU-Modelle)

Das Fadenkreuz im deutschen #4I „Thin“-Stil verfügt über kräftige, quadratische Linien an den Seiten und am Boden, die dem Schützen helfen, den Zielpunkt schnell zu lokalisieren, besonders bei schwachem Licht, wenn dünnere Fadenkreuze schwer erkennbar werden würden. Der obere Bereich des Feldes bleibt frei von Hindernissen. Der zentrale Punkt ist darüber hinaus rot beleuchtet. Damit ist dieses Fadenkreuz ideal für die Verwendung zur Jagd im Zwielicht und am frühen Abend.



EINVISIEREN (Nur EU-Modelle)

1. Stellen Sie ein Ziel in 25 bis 50 Metern Entfernung auf.
2. Entfernen Sie den Bolzen vom Gewehr.
3. Legen Sie das Gewehr auf Sandsäcke oder auf eine Schießbank.
4. Stellen Sie das Zielfernrohr auf die niedrigste Vergrößerung ein.
5. Schauen Sie durch den Lauf des Empfängers und stellen Sie die Position des Gewehrs so ein, dass das Zielobjekt im Lauf zentriert erscheint (Abb. A).
6. Schauen Sie, ohne das Gewehr zu bewegen, in das Zielfernrohr und notieren Sie die Position des Fadenkreuzes auf dem Ziel. Entfernen Sie bei Modellen mit Kappen auf der Höhen- und Seitenkorrekturen die Kappen. Ziehen Sie beim Modell 2,5-15x50 den Revolverkopf hoch (Höhe) oder heraus (Wind), um ihn vor der Anpassung zu entriegeln. Passen Sie die Seiten- und Höhenverstellungskappen an, um das Absehen auf dem Bullauge zu zentrieren (Abb. B). Jedes „Klicken“ oder jede Schrittweite der Einstellung ändert den Kugelaufschlag um 1 cm pro 100 Meter (0,5 Meter bei 50 Metern, 2 cm bei 200 Metern usw.)

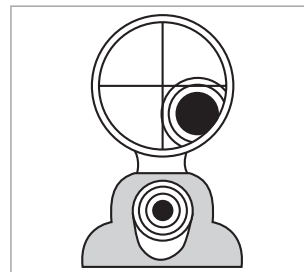


Abb. A

Absehen nicht ausgerichtet

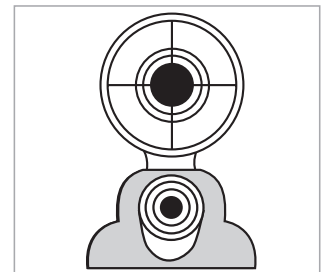


Abb. B

Absehen ausgerichtet

LETZTES EINSCHIESSEN (Nur EU-Modelle)



WARNUNG: DA DIESER VORGANG SCHARFSCHIEßEN BEINHÄLTET, MUSS ER INNERHALB EINER ZUGELASSENEN ANLAGE ODER EINES ANDEREN SICHEREN GEBIETES ERFOLGEN. DEN LAUF AUF VERSTOPFENDE OBJEKTE PRÜFEN. EIN VERSTOPFTER LAUF KANN IHNEN UND ANDEREN IN IHRER NÄHE SCHADEN ZUFÜGEN. WIR EMPFEHLEN DIE VERWENDUNG VON AUGEN- UND GEHÖRSCHUTZ.

1. Feuern Sie aus einer Ruheposition zwei oder drei Runden auf ein 100-Meter-Ziel. Notieren Sie den Treffpunkt des Projektils auf dem Ziel und passen Sie die Höhen- und Seitenskalen nach Bedarf an.
2. Um den Aufschlagpunkt der Kugel zu verschieben, drehen Sie die Seiten- und/oder Höhenanpassung in die Richtung auf der Skala, die dem Aufschlagpunkt auf dem Ziel entspricht (wenn die Testschüsse zu niedrig ausfallen, passen Sie die Höhe nach unten an). Die Einstellungen an Ihrem Zielfernrohrmodell sind in CM (Zentimeter) markiert, der Aufschlagpunkt bei 100 Metern ändert sich um 1 cm für jeden Klick der Seiten- und Höheneinstellung. Eine volle Umdrehung der Einstellung = 100 cm.
3. Wenn der Aufprall auf das 100-Meter-Ziel zufriedenstellend ist, wechseln Sie zu einem Ziel, das in der gewünschten Entfernung für den endgültigen Nullabgleich eingestellt wurde. Stellen Sie die Vergrößerung bei Modellen mit variabler Leistung auf die gewünschte Leistung ein.



Produkte, die ab April 2017 hergestellt wurden, fallen unter die Bushnell Ironclad-Garantie. Die Ironclad-Garantie ist eine lebenslange Garantie, die sich über die Lebensdauer dieses Produkts erstreckt. Jedes Produkt hat eine definierte Lebensdauer; die Lebensdauer kann von 1 bis 30 Jahren reichen. Die Lebensdauer dieses Produkts finden Sie auf der unten angegebenen Website und/oder auf der für dieses Produkt spezifischen Bushnell-Webseite.

Wir gewährleisten, dass dieses Produkt frei von Material- und Verarbeitungsfehlern ist und alle für die Lebensdauer dieses Produkts geltenden Leistungsstandards erfüllt. Wenn dieses Produkt aufgrund eines von der Garantie abgedeckten Defektes nicht ordnungsgemäß funktioniert, reparieren oder ersetzen wir es nach unserem Dafürhalten und senden es kostenlos an Sie zurück. Diese Garantie ist vollständig übertragbar und erfordert keine Quittung, Garantiekarte oder Produktregistrierung. Diese Garantie gilt nicht für Folgendes: elektronische Komponenten, Batterien, kosmetischer Schäden, durch nicht ordnungsgemäße Wartung entstandene Schäden, Verlust, Diebstahl, Schäden durch unbefugte Reparatur, Änderung oder Demontage, vorsätzliche Beschädigung, missbräuchliche oder unsachgemäße Verwendung und gewöhnlicher Verschleiß. Diese Garantie erlischt, wenn der Datumsstempel oder andere Seriennummern vom Produkt entfernt wurden.

Um die vollständige Garantie einzusehen und Informationen darüber zu erhalten, wie Sie einen Service im Rahmen der Garantie anfordern können, besuchen Sie unsere Website unter www.bushnell.com/warranty. Alternativ können Sie eine Kopie der Garantie anfordern, indem Sie uns unter +1 80 04 23 35 37 anrufen oder uns unter einer der folgenden Adressen schreiben:

Adresse für die USA:

Bushnell Outdoor Products
Attn.: Repairs
9200 Cody
Overland Park, Kansas 66214

Adresse für KANADA:

Bushnell Outdoor Products
Attn.: Repairs
140 Great Gulf Drive, Unit B
Vaughan, Ontario L4K 5W1

Wenden Sie sich bei Produkten, die außerhalb der USA oder Kanada erworben wurden, bitte an Ihren Händler vor Ort, um die jeweils gültigen Garantieinformationen zu erfragen.

Diese Garantie gewährt Ihnen bestimmte gesetzlich verankerte Rechte.
Unter Umständen haben Sie noch weitere Rechte, die von Land zu Land variieren.

© 2019 Bushnell Outdoor Products

Congratulazioni per avere acquistato un cannocchiale da puntamento **Bushnell® Nitro™**, uno dei cannocchiali più tecnologicamente avanzati del settore. Bushnell garantisce l'integrità assoluta e il controllo di qualità del prodotto per la durata dell'intero ciclo di progettazione, produzione e consegna di questi cannocchiali da puntamento.



AVVERTENZA: NON GUARDARE MAI IL SOLE ATTRAVERSO IL CANNOCCHIALE DA PUNTAMENTO (O QUALSIASI ALTRO STRUMENTO OTTICO). CIÒ PUÒ PROVOCARE DANNI PERMANENTI AGLI OCCHI.

CARATTERISTICHE DEL CANNOCCHIALE DA PUNTAMENTO NITRO

Sia i cacciatori che i tiratori di precisione possono trovare un cannocchiale da puntamento Bushnell® Nitro™ adatto alle proprie esigenze. Tutte le configurazioni sono realizzate per resistere a qualunque ambiente. Le ottiche con rivestimento multistrato completo offrono immagini chiare e ad alto contrasto senza sforzare la vista. I cannocchiali da puntamento Nitro™ rappresentano una soluzione per ogni situazione.

Tutte le superficie esterne delle lenti sono dotate del nuovo rivestimento EXO Barrier™. EXO Barrier, semplicemente, è la migliore tecnologia di rivestimento protettivo che Bushnell abbia mai sviluppato. Aggiunta alla fine del processo di rivestimento, EXO Barrier forma legami molecolari con le lenti e riempie i pori microscopici del vetro. Il risultato è un rivestimento multistrato repellente per acqua, olio, nebbia, polvere e detriti: pioggia, neve, impronte digitali e sporcizia non aderiscono. EXO Barrier è creata per durare: il rivestimento legato non si attenua con il passare del tempo o la normale usura.

Tutti i modelli di cannocchiale da puntamento Nitro presentano:

- **NITIDEZZA** - La migliore risoluzione e il migliore contrasto in tutte le condizioni di illuminazione.
- **ELEVATA TRASMISSIONE DELLA LUCE** - Il rivestimento Ultra Wide Band Coating offre una luminosità ottimale e colori fedeli in ogni condizione di illuminazione.
- **PARALLASSE LATERALE** - Correzione semplice degli errori di parallasse senza rimuovere l'occhio dal bersaglio.
- **VARIETÀ** - Varie configurazioni includono torrette con cappuccio o torrette bersaglio, modelli con primo e secondo piano focale e più opzioni di reticolo balistico, per soddisfare qualunque esigenza.
- **COPERCHI DEL CANNOCCHIALE** - Il coperchio di apertura/chiusura del cannocchiale Butler Creek® protegge le lenti dalla polvere e dai detriti.
- **PARASOLE** - Il parasole da 2,5 pollici incluso aiuta durante l'acquisizione del bersaglio nelle giornate soleggiate.

CURA DEL CANNOCCHIALE DA PUNTAMENTO

Il cannocchiale richiede una manutenzione minima. Tenere pulite le superfici in metallo esterne. Nella maggior parte dei casi è sufficiente una spolverata con un panno morbido leggermente inumidito.

Il nuovo cannocchiale è dotato di torrette di alzo e deriva completamente sigillate a protezione dalle infiltrazioni di acqua. Tuttavia, si consiglia di lasciare i cappucci di alzo e deriva sulle torrette (*solo modelli con regolazioni con cappuccio*), a eccezione di quando si effettua una regolazione, per impedire l'accumulo di polvere e sporcizia nell'area della torretta.

Si consiglia inoltre di riporre i coprilente quando non si utilizza il cannocchiale. Controllare le lenti regolarmente e mantenerle sempre pulite. La polvere, lo sporco e le impronte digitali che si accumulano sulla superficie delle lenti compromettono seriamente la qualità dell'immagine. Se non si puliscono le lenti per lunghi periodi, il rivestimento antiriflesso potrebbe danneggiarsi. Sebbene non sia difficile pulire le lenti, sono necessarie cura e pazienza.

- Iniziare con una spazzola per lenti o un piccolo pennello con setole morbide. Rimuovere delicatamente le particelle di sporco.
- Quindi, utilizzare una siringa o un aspiratore a bulbo per orecchie (disponibile nella maggior parte delle farmacie) per soffiare via lo sporco o la polvere rimanente dalla superficie delle lenti.
- Per una pulizia più approfondita, utilizzare un morbido panno asciutto, privo di lanugine. Pulire le lenti con molta delicatezza: iniziare dal centro e, con un movimento circolare, spostarsi verso l'esterno.
- Se il problema persiste, ripetere la procedura usando il fiato.

ELEMENTI CHIAVE DI UN CANNOCCHIALE

Un cannocchiale è composto da quattro elementi principali.

- 1. Lente dell'obiettivo:** questa lente ha tre funzioni. Innanzitutto permette alla luce di passare attraverso il cannocchiale. Quindi, determina la risoluzione. Generalmente le lenti più grandi consentono a una quantità maggiore di luce di entrare nel cannocchiale e, rispetto alle lenti più piccole, permettono di vedere un numero maggiore di dettagli. Infine, forma un'immagine che le altre lenti possono ingrandire fino a una dimensione utilizzabile. Questa immagine è capovolta.
- 2. Sistema erettore:** questo sistema ha tre funzioni. Innanzitutto erige l'immagine (ovvero la capovolge nel verso giusto) e la allinea al reticolo. Durante questo processo si verifica l'ingrandimento principale dell'immagine. Queste due funzioni sono il risultato dell'azione della lente.



La terza funzione è di natura meccanica. Le lenti erettrici sono alloggiati in un tubo fissato a un'estremità. L'altra estremità del tubo è libera di muoversi e di adattarsi alle regolazioni della manopola. Spostando il sistema erettore, il punto di mira del cannocchiale viene regolato in base al punto di impatto del proiettile.

- 3. Reticolo:** si tratta del dispositivo di mira intorno a cui viene costruito il cannocchiale. Questo elemento sostituisce il sistema di puntamento in ferro dei fucili senza cannocchiale.
- 4. Oculare o lente oculare:** questo elemento fornisce il secondo e ultimo ingrandimento dell'immagine.

MONTAGGIO DEL CANNOCCHIALE

Nonostante il design e le funzioni tecnologicamente avanzati, il nuovo cannocchiale deve essere montato correttamente per garantire prestazioni ottimali. Due dei fattori più importanti che contribuiscono alla precisione del cannocchiale e del fucile sono la scelta dell'attacco e la cura nel montaggio. Scegliere un attacco affidabile in grado di fissare saldamente il cannocchiale al fucile per un'accuratezza costante. Nella scelta del sistema di attacco prestare la stessa cura che si è prestata nella selezione del cannocchiale.

Tenere presente che non tutti i cannocchiali sono compatibili con tutti gli attacchi su tutti i fucili. In caso di dubbi, richiedere l'assistenza del rivenditore o dell'armaiolo locale.



AVVERTENZA: NON UTILIZZARE MAI IL CANNOCCHIALE COME SOSTITUTO DI UN BINOCOLO O MONOCULARE. POICHÉ IL FUCILE POTREBBE VENIRE INAVVERTITAMENTE PUNTATO VERSO UN'ALTRA PERSONA.

REGOLAZIONI PRELIMINARI DEL CANNOCCHIALE

Prima di montare il cannocchiale, si consiglia di regolare la messa a fuoco dell'oculare in base ai propri requisiti visivi. La rifocalizzazione della distanza oculare comporta una messa a fuoco più nitida del reticolo e un'immagine ottica migliore ed evita che gli occhi si affatichino quando si utilizza il cannocchiale per lunghi periodi di tempo. A questo scopo, tenere il cannocchiale a 7,5-10 cm di distanza dall'occhio e puntarlo verso il cielo aperto o un'altra area completamente illuminata, ad esempio una parete verniciata di un solo colore.

Dare un'occhiata rapida nel cannocchiale. Se a prima vista non si distingue bene il reticolo, significa che non è a fuoco. Ruotare l'oculare in senso orario o antiorario di più giri. Dare di nuovo un'occhiata rapida nel cannocchiale per verificare la nitidezza del reticolo. È importante che le occhiate siano rapide per evitare che l'occhio compensi le condizioni di leggera sfocatura. Se il reticolo continua a non distinguersi bene, ruotare l'oculare di altri due o tre giri. Ripetere la procedura fino a quando il reticolo non risulta nitido e ben definito.

A meno che la propria vista non subisca grandi variazioni negli anni, questa regolazione non si rende più necessaria.

FISSAGGIO DI ATTACCO, ANELLI E CANNOCCHIALE AL FUCILE



AVVERTENZA: PRIMA DI PROCEDERE AL MONTAGGIO, ASSICURARSI CHE L'AZIONE SIA APERTA, IL FERMO O IL CARICATORE SIA STATO RIMOSSO E NON SIA RIMASTO UN COLPO NELLA CAMERA. NON TENTARE DI ESEGUIRE ALCUN LAVORO FINCHÉ L'ARMA DA FUOCO NON È SCARICA E NON È RITENUTA SICURA.



AVVERTENZA: QUALORA IL CANNOCCHIALE NON VENGA MONTATO A UNA DISTANZA SUFFICIENTE, IL MOVIMENTO DI SPINTA ALL'INDIETRO PUÒ PROVOCARE LESIONI AL TIRATORE A CAUSA DEL CONTRACCOLPO DEL FUCILE.

Durante il montaggio del cannocchiale si consiglia di NON saltare passaggi, per evitare di danneggiare il sistema di montaggio o il cannocchiale. Per ogni sistema di montaggio sono disponibili delle istruzioni. Si consiglia di leggerle attentamente prima per assicurarsi di comprenderle e di avere gli strumenti necessari a portata di mano.

Si raccomanda altresì di ripetere la procedura di montaggio. La prima volta assicurarsi che tutti gli elementi siano montati e funzionino correttamente e tenere a mente quanto riportato di seguito.

- Prima di fissare la base, pulire i fori di montaggio nel ricevitore e i filetti delle viti di montaggio con acetone o un altro solvente valido per rimuovere olio o grasso.
- Se il produttore dell'attacco consiglia l'utilizzo di un adesivo per filetti, non usarlo nella prima prova di montaggio. Una volta che l'adesivo si è asciugato, è difficile rimuoverlo qualora fosse necessario apportare una correzione.
- Assicurarsi che le viti di montaggio non sporgano nel ricevitore o nella canna.
- Se si utilizzano attacchi a coda di rondine, non usare il cannocchiale come leva durante l'installazione. La resistenza iniziale alla rotazione può danneggiare il cannocchiale ed eventuali danni risultanti non sono coperti dalla garanzia. Si consiglia di utilizzare un tassello in legno o un cilindro in metallo di 2,5 cm per bloccare gli anelli.
- Assicurarsi che la posizione del cannocchiale non interferisca con il funzionamento dell'azione.
- Assicurarsi che vi sia una distanza di almeno 3 mm tra i bordi degli anelli ed eventuali superfici sporgenti, ad esempio la sede della torretta (appoggio), l'anello di regolazione dell'ingrandimento e la svasatura della campana dell'obiettivo. Accertarsi inoltre che la campana dell'obiettivo e la canna distino almeno 3 mm l'una dall'altra.
- Provare la posizione del cannocchiale per verificare che il rilievo oculare sia appropriato. Lasciare gli anelli sufficientemente allentati affinché il cannocchiale scorra facilmente. Durante questa procedura, impostare il valore di ingrandimento più alto nei cannocchiali a ingrandimento variabile. Montare il fucile e guardare attraverso il cannocchiale nella normale posizione di tiro.
- Provare la posizione del fucile più volte per assicurarsi che la guancia poggi bene e che il cannocchiale sia posizionato correttamente.
- Una volta che si è soddisfatti, smontare il cannocchiale e ripetere la procedura stringendo le viti.

REGOLAZIONE PARALLASSE/MESSA A FUOCO LATERALE

La manopola della parallasse o la regolazione della messa a fuoco laterale consentono di correggere gli errori di parallasse. Gli errori di parallasse si verificano quando il bersaglio previsto e il reticolo non si trovano sullo stesso piano focale. La regolazione della messa a fuoco laterale sposta un elemento ottico all'interno del cannocchiale, modificando l'immagine in ingresso in modo che appaia sullo stesso piano focale del reticolo nel cannocchiale da puntamento, eliminando così l'errore di parallasse. Gli errori di parallasse provocano incongruenze relative al punto di impatto. È possibile notare questo fenomeno osservando un bersaglio a 91 metri (100 iarde) con la messa a fuoco laterale impostata a 457 metri (500 iarde). Spostando leggermente la testa a sinistra e a destra, o verso l'alto e il basso, si noterà un movimento nel punto di intersezione delle linee del reticolo. Tuttavia, se si modifica la regolazione della messa a fuoco laterale a 91 metri (100 iarde) mentre si osserva il bersaglio a 91 metri (100 iarde), l'intersezione delle linee del reticolo non si muove. I contrassegni della distanza sul selettore hanno unicamente lo scopo di fornire dei punti di riferimento. Per ottenere un'immagine ad alta risoluzione senza errori di parallasse, potrebbero essere necessarie regolazioni precise della messa a fuoco laterale dopo aver regolato l'oculare.

PUNTAMENTO PRELIMINARE

Eseguire il puntamento preliminare del cannocchiale con il fucile prima di portarlo al poligono per l'azzeramento per evitare di sprecare denaro e forze.

Esistono due metodi di base che è possibile utilizzare per il puntamento preliminare del cannocchiale. Il primo comporta l'utilizzo di un collimatore Bushnell® (laser, magnetico o standard). Consente di risparmiare tempo e munizioni ed è il sistema utilizzato più di frequente dagli armaioli. Il secondo metodo è il puntamento del calibro tradizionale.

METODO DI PUNTAMENTO DEL CALIBRO

1. Sistemare un bersaglio a una distanza compresa tra 25 e 50 iarde.
2. Rimuovere la sicura dal fucile.
3. Posizionare il fucile su sacchi di sabbia o su un'apposita base di appoggio.
4. Impostare il cannocchiale sul valore di ingrandimento minimo.

- Guardare attraverso il calibro del ricevitore e regolare la posizione del fucile in modo da centrare il bersaglio nel calibro (*Fig. A*).
- Senza spostare il fucile, guardare nel cannocchiale e osservare la posizione del reticolo sul bersaglio. Sui modelli con cappucci della regolazione di alzo e deriva, rimuovere i cappucci. Regolare le manopole di alzo e deriva per centrare il reticolo con il centro del bersaglio (*Fig. B*).

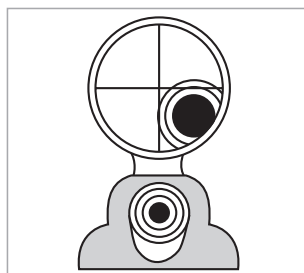


Fig. A
Reticolo non allineato

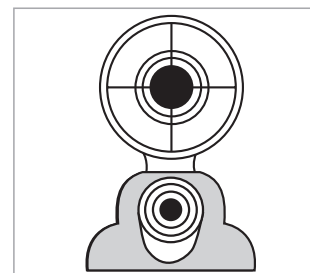


Fig. B
Reticolo allineato

PUNTAMENTO FINALE



AVVERTENZA: POICHÉ LA PROCEDURA PREVEDE ESERCITAZIONI A FUOCO, DEVE ESSERE ESEGUITA IN UN POLIGONO AUTORIZZATO O IN UN'ALTRA ZONA SICURA. CONTROLLARE CHE IL CALIBRO NON SIA OSTRUITO. UN CALIBRO OSTRUITO PUÒ PROVOCARE LESIONI ALL'UTILIZZATORE E AD ALTRI NELLE VICINANZE. SI RACCOMANDA DI UTILIZZARE PROTEZIONI VISIVE E ACUSTICHE.

- Da una posizione di tiro stabile sparare due o tre colpi a un bersaglio a 100 iarde di distanza. Osservare l'impatto del proiettile sul bersaglio e regolare le manopole di alzo e deriva di conseguenza.
- Per spostare l'impatto del proiettile, ruotare le manopole di alzo e/o deriva nella direzione corrispondente al punto di impatto sul bersaglio. Ad esempio, se i tiri di prova sono bassi, regolare l'alzo verso il basso. Se le regolazioni sul cannocchiale da puntamento sono contrassegnate in MOA (minuti di angolo), il punto di impatto a 91 metri (100 iarde) cambierà di 1/4 MOA per ogni scatto della manopola di alzo o deriva (o di 0,34 pollici per scatto se le regolazioni sono contrassegnate in Mil). Un giro completo della manopola corrisponde a 15 MOA (o 10 Mil sui modelli contrassegnati in Mil).
- Quando l'impatto sul bersaglio a 100 iarde è soddisfacente, passare a un bersaglio posto alla distanza desiderata per l'azzeramento finale. Impostare l'ingrandimento sul valore desiderato sui modelli a ingrandimento variabile.

AZZERAMENTO DELL'INDICE DELLA TORRETTA DEL BERSAGLIO

Dopo l'azzeramento del fucile:

- Svitare il cappuccio esterno che copre la torretta (ruotarlo in senso antiorario) e riporlo (*Fig. 1*).
- Mantenendo la torretta in posizione in modo che non ruoti, svitare (in senso antiorario) il coperchio piatto sulla parte superiore della torretta e riporlo (*Fig. 2*).
- Sollevare l'anello della torretta allentato e rimuoverlo dal cannocchiale, quindi riposizionarlo in modo che lo zero ("0") sulla scala dell'anello della torretta sia allineato con il contrassegno bianco dell'indice quando si riposiziona l'anello della torretta sul corpo della torretta (*Fig. 3*).
- Riposizionare il coperchio piatto sulla parte superiore della torretta, ruotandolo in senso orario fino a quando è serrato con le dita (non serrare eccessivamente). Riposizionare il cappuccio esterno della torretta.

Fig. 1



Fig. 2



Fig. 3



RETICOLI DEL PRIMO E DEL SECONDO PIANO FOCALE

Alcuni cannocchiali da puntamento Nitro trattati da questo manuale hanno il reticolo nel primo piano focale ("FPF"). Per questo motivo, le dimensioni del reticolo aumentano con l'aumentare dell'ingrandimento. Questa caratteristica consente l'uso prolungato del sistema di misurazione in MOA o Mil del reticolo, a prescindere dalle impostazioni di alimentazione. Il reticolo del secondo piano focale ("SFP") mantiene una dimensione costante del reticolo, ma impone che l'utente esegua regolazioni con un ingrandimento specifico, poiché il reticolo rimane delle stesse dimensioni e non tiene in considerazione livelli di ingrandimento diversi.

IL RETICOLO BUSHNELL DEPLOY™ MOA

Il reticolo Bushnell® Deploy™ MOA è progettato per la versatilità. È di grande valore per cacciatori, tiratori, appassionati di calibri diversi: chiunque cerchi flessibilità in un'ottica. Le linee del reticolo da 0,18 MOA di spessore sono facili da vedere, senza ostruire l'immagine del bersaglio. Sono presenti trattini a distanza di 1 MOA, per una tenuta dell'alzo precisa. I trattini sotto lo zero sono larghi 2 MOA, per aiutare la tenuta della deriva. Con calcoli balistici precisi, il reticolo Deploy MOA offre tiri accurati in ogni momento.

PUNTI DI PUNTAMENTO/MIRA

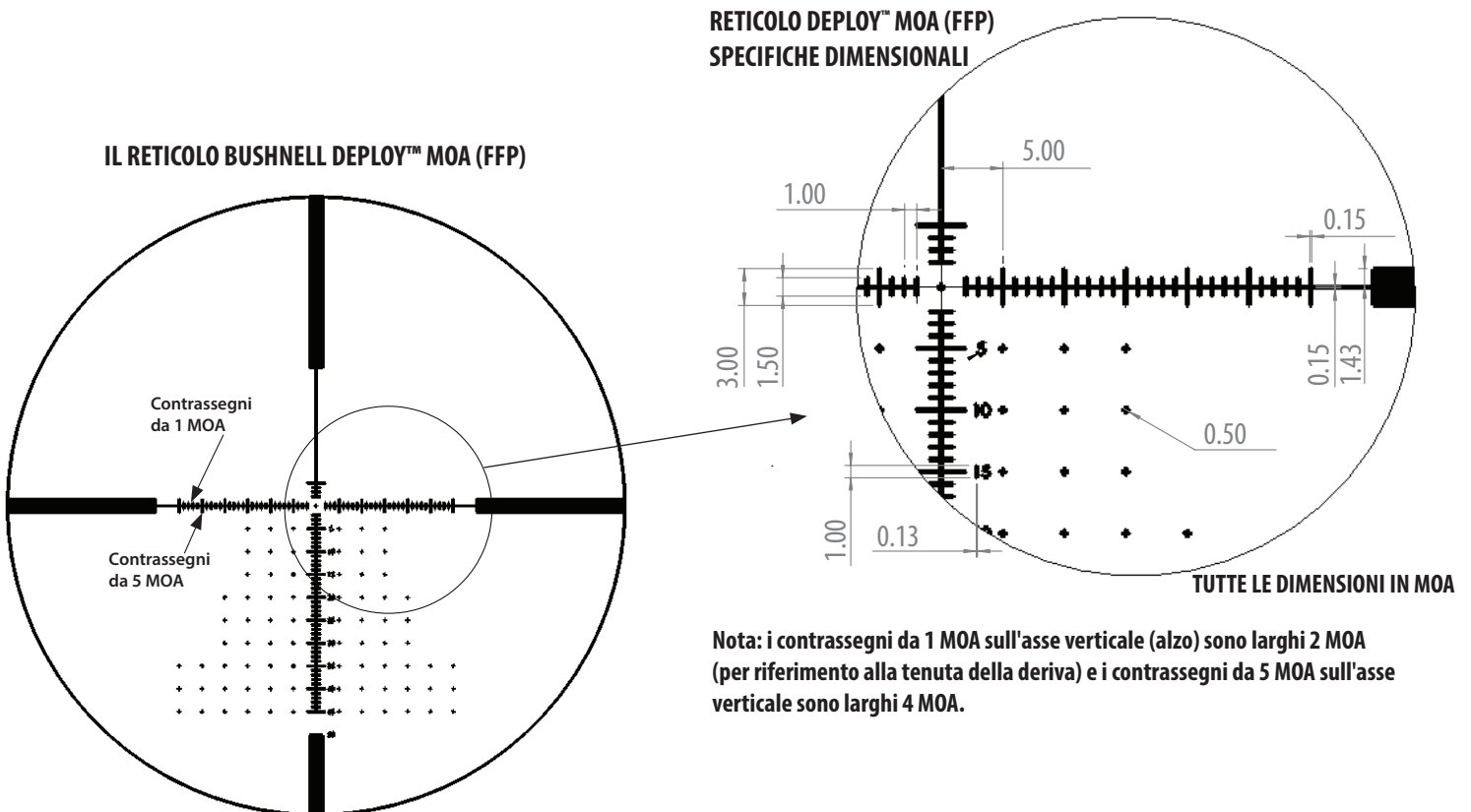
Il reticolo Deploy MOA è concepito per il puntamento a 100 iarde ed è calibrato in MOA (minuti di angolo). Il reticolo dispone di contrassegni più larghi ogni 5 MOA. L'utente può puntare a 100 iarde con qualunque impostazione di ingrandimento, ma per il funzionamento corretto del reticolo Deploy MOA (contrassegni della distanza e della deriva) nei modelli SFP (vedere la tabella "Specifiche tecniche"), l'ingrandimento del cannocchiale deve essere impostato sull'ingrandimento massimo (ad eccezione del modello 6-24x50, che deve essere impostato a **20x**). Le impostazioni corrette dei modelli Nitro che includono il reticolo Deploy MOA nel secondo piano focale sono indicate nella tabella a destra.

| Modello | Impostare su: |
|-------------|---------------|
| 2.5-10x44mm | 10x |
| 3-12x 44mm | 12x |
| 4-16x 44mm | 16x |
| 5-20x 44mm | 20x |
| 6-24x 50mm | 20x |

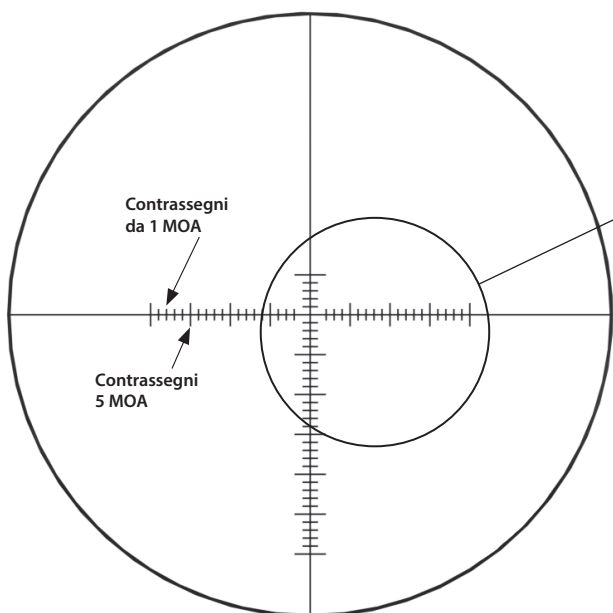
COMPENSAZIONE DELL'EFFETTO DEL VENTO/PUNTI DI MIRA

Il reticolo Deploy MOA integra anche punti di tenuta della deriva sull'asse orizzontale del reticolo, per aiutare a compensare l'effetto del vento sulla traiettoria del proiettile. I contrassegni della tenuta della deriva sono distanziati a intervalli di 1 MOA, con contrassegni più spessi ogni 5 MOA. Anche i primi contrassegni da 1 MOA sull'asse verticale (alzo) sono utili anche per la deriva, poiché ognuno di essi è largo 2 MOA. Per utilizzare i contrassegni della tenuta della deriva, stabilire prima una distanza dal bersaglio utilizzando un telemetro laser Bushnell (o utilizzando il reticolo per stimare la distanza, vedere la sezione successiva di questo manuale). Una volta che si conosce la distanza dal bersaglio, è necessario effettuare una stima della velocità del vento. Successivamente è possibile alzare il reticolo al contrassegno delle iarde corretto e spostarlo orizzontalmente nella direzione del vento utilizzando i contrassegni del vento in MOA sul reticolo Deploy, per compensare la caduta del proiettile e lo spostamento del vento. Di seguito sono riportate le illustrazioni dei contrassegni del reticolo.

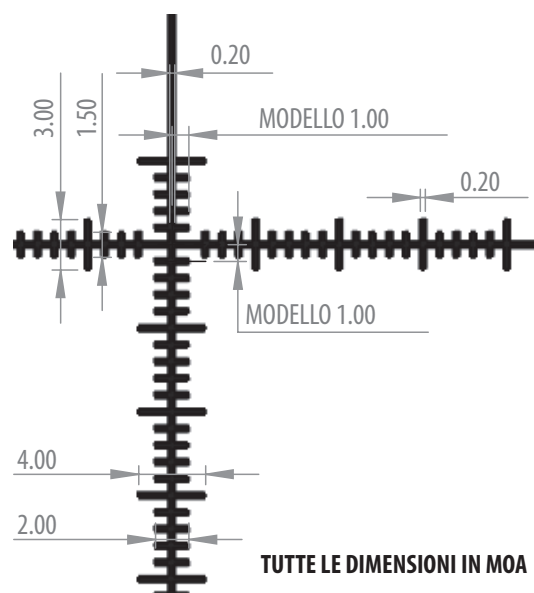
Il reticolo Deploy è concepito per l'utilizzo con ogni calibro, peso del proiettile e velocità. È sufficiente eseguire i calcoli balistici con una velocità nota, coefficiente balistico, distanza zero e dati ambientali, per ottenere i punti di caduta in MOA a distanze diverse. Le illustrazioni dei contrassegni del reticolo sono riportate di seguito (versione Deploy FFP) e nella pagina successiva (versione Deploy SFP).



IL RETICOLO BUSHNELL DEPLOY™ MOA (SFP)



RETICOLO DEPLOY™ MOA (SFP) SPECIFICHE DIMENSIONALI



Nota: i contrassegni da 1 MOA sull'asse verticale (alzo) sono larghi 2 MOA (per riferimento alla tenuta della deriva) e i contrassegni da 5 MOA sull'asse verticale sono larghi 4 MOA.

CALCOLO DELLA DISTANZA CON IL RETICOLO DEPLOY MOA

Esiste un rapporto inverso tra le dimensioni apparenti di un oggetto e la sua distanza. Mentre la distanza di un oggetto aumenta, le sue dimensioni sembrano ridursi. Per esempio, pensiamo di osservare un oggetto a una distanza di 100 iarde. Se l'oggetto venisse spostato più vicino in modo da trovarsi a metà della distanza (50 iarde) dalla propria posizione, sembrerebbe grande il doppio (o la metà delle dimensioni a 200 iarde).

Il rapporto tra la propria distanza da un oggetto e le sue dimensioni percepite consente di stimare la distanza in base a quanto grande o piccolo appare l'oggetto, utilizzando i contrassegni nel reticolo per misurare la sua altezza o la sua larghezza in MOA (minuti di angolo) o Mil (milliradiani). Utilizzando la misurazione apparente del bersaglio, è possibile determinarne la distanza. Affinché questa procedura funzioni, è necessario conoscere le dimensioni del bersaglio.

Per calcolare la distanza di un bersaglio con MOA, moltiplicare le sue dimensioni note in pollici per 95,5 e dividere il numero per le dimensioni del bersaglio misurate in MOA attraverso il cannocchiale:

$$\frac{\text{Larghezza o altezza dell'oggetto misurata in pollici} \times 95,5}{\text{Larghezza o altezza dell'oggetto in MOA}} = \text{Distanza in iarde}$$

È possibile utilizzare questa formula anche per stimare la distanza in metri, utilizzando 87,3 come moltiplicatore anziché 95,5, ma utilizzando comunque l'altezza o la larghezza dell'oggetto in pollici.

Guardando attraverso il cannocchiale (se è un modello SFP, assicurarsi di impostare l'ingrandimento secondo la tabella della pagina precedente), selezionare un oggetto alla distanza che si desidera misurare: un oggetto la cui larghezza o altezza sono note o si possono stimare con precisione. Gli oggetti artificiali di dimensioni uniformi, ad esempio i pali delle recinzioni, sono i migliori. Ma è possibile utilizzare qualsiasi oggetto di dimensioni note. Misurare la larghezza o l'altezza dell'oggetto in MOA, calcolarla in base alla formula e determinarne la distanza. Sostenere il fucile e misurare gli oggetti accuratamente. Eventuali errori di misurazione causano un errore nel calcolo della portata. Allo stesso modo un errore nella stima delle dimensioni dell'oggetto comporta un errore proporzionale della distanza.

Di seguito è riportato un esempio. Un coyote è esposto al sole in un campo innevato accanto a un palo della recinzione. Avendo scavalcato la recinzione prima, si sa che il palo è alto circa quattro piedi, ovvero 48 pollici. Il palo della recinzione misura 7 MOA nel reticolo.

$$\frac{48 \text{ pollici} \times 95,5}{7 \text{ MOA}} = \frac{4584}{7} = 655 \text{ iarde}$$

A differenza della formula in Mil (vedere la sezione successiva), questa formula deve essere utilizzata solo quando si lavora con dimensioni del bersaglio in pollici e distanza in iarde. Se necessario, tuttavia, esistono numeri alternativi che è possibile utilizzare in questa formula.

IL RETICOLO BUSHNELL DEPLOY™ MIL

Il reticolo Bushnell® Deploy™ Mil offre un mezzo molto preciso per la stima della distanza. I contrassegni in Mil forniscono inoltre una guida precisa per i bersagli mobili e consentono di calcolare la compensazione esatta per il tiro con un vento trasversale. Sono presenti trattini a distanza di 0,5 Mil, per una tenuta dell'alzo precisa. Con calcoli balistici precisi, il reticolo Deploy MOA offre tiri accurati in ogni momento.

PUNTI DI PUNTAMENTO/MIRA

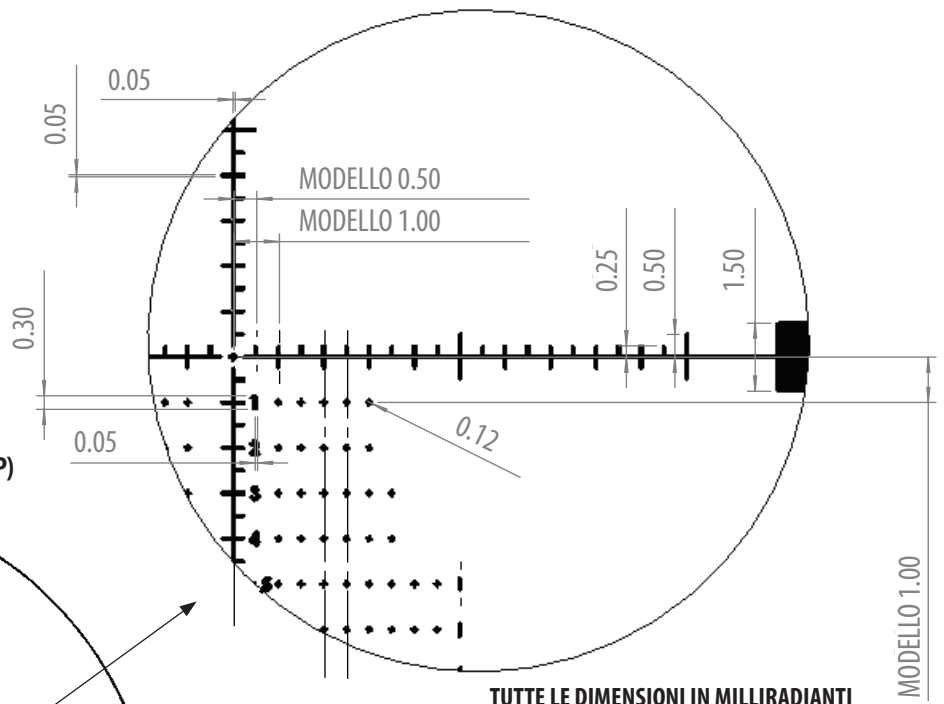
Il reticolo Deploy Mil è concepito per il puntamento a 100 iarde ed è calibrato in Mil (milliradiani). Il reticolo dispone di contrassegni più larghi ogni 5 Mil. L'utente può mirare a 100 iarde con qualunque impostazione di ingrandimento, poiché tutti i modelli Deploy Mil sono FFP.

COMPENSAZIONE DELL'EFFETTO DEL VENTO/PUNTI DI MIRA

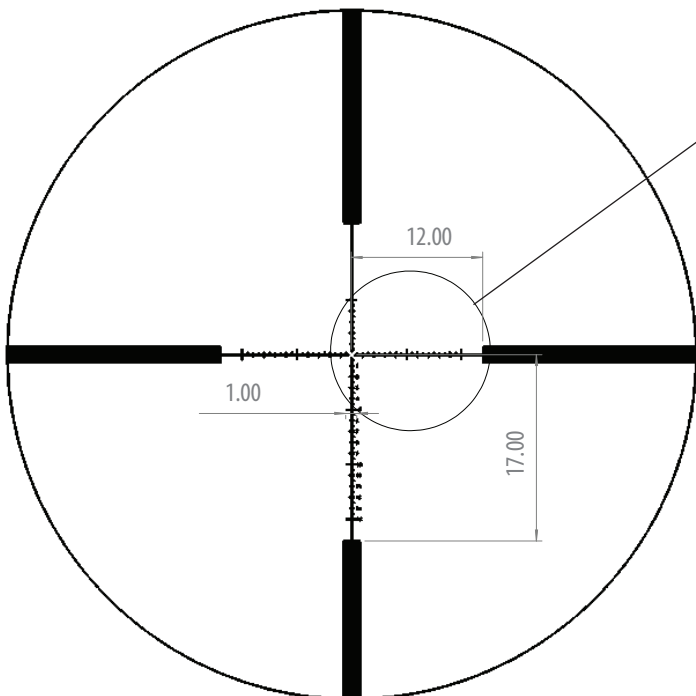
Il reticolo Deploy Mil integra anche punti di tenuta della deriva sull'asse orizzontale del reticolo, per aiutare a compensare l'effetto del vento sulla traiettoria del proiettile. I contrassegni della tenuta della deriva sono distanziati a intervalli di 0,5 Mil, con contrassegni più lunghi ogni 5 Mil. Anche i primi contrassegni da 1 Mil sull'asse verticale (alzo) sono utili anche per la deriva, poiché ognuno di essi è largo 2 Mil. Per utilizzare i contrassegni della tenuta della deriva, stabilire prima una distanza dal bersaglio utilizzando un telemetro laser Bushnell. Una volta che si conosce la distanza dal bersaglio, è necessario effettuare una stima della velocità del vento. Successivamente è possibile alzare il reticolo al contrassegno delle iarde corretto e spostarlo orizzontalmente nella direzione del vento utilizzando i contrassegni del vento in Mil sul reticolo Deploy, per compensare la caduta del proiettile e lo spostamento del vento. Di seguito sono riportate le illustrazioni dei contrassegni del reticolo.

Il reticolo Deploy MIL è concepito per l'utilizzo con ogni calibro, peso del proiettile e velocità. È sufficiente eseguire i calcoli balistici con una velocità nota, coefficiente balistico, distanza zero e dati ambientali, per ottenere i punti di caduta in Mil a distanze diverse.

RETICOLO DEPLOY™ MIL SPECIFICHE DIMENSIONALI



IL RETICOLO BUSHNELL DEPLOY™ MIL (FFP)



CALCOLO DELLA DISTANZA CON IL RETICOLO MIL-DOT

Il milliradiante è una misura angolare e corrisponde a 1/6.400 di un cerchio, ovvero quasi a una iarda a 1.000 iarde o a un metro a 1.000 metri. Questa proporzione consente di utilizzare una formula semplice per calcolare le distanze.

$$\frac{\text{Larghezza o altezza dell'oggetto misurata in iarde} \times 1000}{\text{Larghezza o altezza dell'oggetto in Mil}} = \text{Distanza in iarde}$$

Larghezza o altezza dell'oggetto in Mil

Questa formula funziona bene anche con i metri. Tuttavia non è possibile combinare metri e iarde. Misurare l'oggetto in iarde per determinare la distanza in iarde e in metri per determinare la distanza in metri.

Guardando attraverso il cannocchiale, scegliere un oggetto alla distanza che si desidera misurare: un oggetto la cui larghezza o altezza sono note o si possono stimare con precisione. Gli oggetti artificiali di dimensioni uniformi, ad esempio i pali delle recinzioni, sono i migliori. Ma è possibile utilizzare qualsiasi oggetto di dimensioni note. Misurare la larghezza o l'altezza dell'oggetto in milliradiani, calcolarla in base alla formula e determinare la distanza. Sostenere il fucile e misurare gli oggetti accuratamente. Eventuali errori di misurazione causano un errore nel calcolo della portata. Allo stesso modo un errore nella stima delle dimensioni dell'oggetto comporta un errore proporzionale della distanza.

Di seguito è riportato un esempio. Un coyote è esposto al sole in un campo innevato accanto a un palo della recinzione. Avendo scavalcato la recinzione prima, si sa che il palo è alto circa quattro piedi, ovvero 1,33 iarde. Il palo della recinzione misura 2,5 milliradiani nel reticolo.

$$\frac{1,33 \text{ iarde} \times 1000}{2,5 \text{ Mil}} = \frac{1330}{2,5} = 532 \text{ iarde}$$

ALTITUDINE E TEMPERATURA

Nelle tabelle balistiche pubblicate dai produttori di munizioni si fa riferimento al livello del mare standard. Durante il puntamento si consiglia di tenere a mente che l'altitudine e la temperatura influenzano la traiettoria. È meglio eseguire il puntamento nelle stesse condizioni in cui si andrà a caccia.

CONTROLLO DEL CANNOCCHIALE PRIMA DELLA MANUTENZIONE

Prima di spedire il cannocchiale per la manutenzione, effettuare i seguenti controlli per determinare se il problema riguarda effettivamente lo strumento.

- Controllare che il sistema e gli anelli di montaggio non siano allentati o disallineati.
- Controllare che la canna e l'azione siano posizionati correttamente e che le viti del ricevitore siano strette.
- Controllare che sul sistema di montaggio vi sia una distanza sufficiente tra la campana dell'obiettivo e la canna.
- Controllare che le munizioni utilizzate siano dello stesso tipo e dello stesso peso di quelle impiegate per il puntamento..

SPECIFICHE TECNICHE

| N. MODELLO | INGRANDIMENTO E DIAM. OGG. | RETICOLO | PIANO LOCALE | CORSA ALZO/DERIVA (MOA) | CORSA PER ROTAZIONE | CORREZIONE DIOTTRICA (INGR. MAX) | CAMPO VISIVO (PIEDI A 100 IARDE) | PESO (OZ.) | LUNGHEZZA (IN.) |
|--------------|-------------------------------|--------------------|-----------------|----------------------------|------------------------|--|--|---------------|--------------------|
| RN2104BS1 | 2.5-10x44 | DEPLOY MOA | SFP | 60/60 | 15 MOA | 3.7" | 37-9.5 | 23.9 | 13.6" |
| RN2104BS3 | 2.5-10x44 | Multi-X | SFP | 60/60 | 15 MOA | 3.7" | 37-9.5 | 23.9 | 13.6" |
| RN2104GS1 | 2.5-10x44 | DEPLOY MOA | SFP | 60/60 | 15 MOA | 3.7" | 37-9.5 | 23.9 | 13.6" |
| RN2104GS3 | 2.5-10x44 | Multi-X | SFP | 60/60 | 15 MOA | 3.7" | 37-9.5 | 23.9 | 13.6" |
| RN2104BF1 | 2.5-10x44 | DEP. MOA FFP | FFP | 60/60 | 15 MOA | 3.7" | 37-9.5 | 23.9 | 13.6" |
| RN2104GF1 | 2.5-10x44 | DEP. MOA FFP | FFP | 60/60 | 15 MOA | 3.7" | 37-9.5 | 23.9 | 13.6" |
| RN2104BF2 | 2.5-10x44 | DEP. MIL FFP | FFP | 17.9 MIL/17.9 MIL | 10 MIL | 3.7" | 37-9.5 | 23.9 | 13.6" |
| RN3124BS1 | 3-12x44 | DEPLOY MOA | SFP | 90/90 | 15 MOA | 3.9" | 33.5-9 | 24.2 | 13.7" |
| RN3124BS3 | 3-12x44 | Multi-X | SFP | 90/90 | 15 MOA | 3.9" | 33.5-9 | 24.2 | 13.7" |
| RN3124GS1 | 3-12x44 | DEPLOY MOA | SFP | 90/90 | 15 MOA | 3.9" | 33.5-9 | 24.2 | 13.7" |
| RN3124GS3 | 3-12x44 | Multi-X | SFP | 90/90 | 15 MOA | 3.9" | 33.5-9 | 24.2 | 13.7" |
| RN3124BF1 | 3-12x44 | DEP. MOA FFP | FFP | 90/90 | 15 MOA | 3.9" | 33.5-9 | 24.2 | 13.7" |
| RN3124GF1 | 3-12x44 | DEP. MOA FFP | FFP | 90/90 | 15 MOA | 3.9" | 33.5-9 | 24.2 | 13.7" |
| RN3124BF2 | 3-12x44 | DEP. MIL FFP | FFP | 26.8 MIL/26.8 MIL | 10 MIL | 3.9" | 33.5-9 | 24.2 | 13.7" |
| RN4164BS1 | 4-16x44 | DEPLOY MOA | SFP | 90/90 | 15 MOA | 3.6" | 23-6 | 23 | 13.9" |
| RN4164BS3 | 4-16x44 | Multi-X | SFP | 90/90 | 15 MOA | 3.6" | 23-6 | 23 | 13.9" |
| RN4164GS1 | 4-16x44 | DEPLOY MOA | SFP | 90/90 | 15 MOA | 3.6" | 23-6 | 23 | 13.9" |
| RN4164GS3 | 4-16x44 | Multi-X | SFP | 90/90 | 15 MOA | 3.6" | 23-6 | 23 | 13.9" |
| RN4164BF1 | 4-16x44 | DEP. MOA FFP | FFP | 90/90 | 15 MOA | 3.6" | 23-6 | 23 | 13.9" |
| RN4164GF1 | 4-16x44 | DEP. MOA FFP | FFP | 90/90 | 15 MOA | 3.6" | 23-6 | 23 | 13.9" |
| RN4164BF2 | 4-16x44 | DEP. MIL FFP | FFP | 26.8 MIL/26.8 MIL | 10 MIL | 3.6" | 23-6 | 23 | 13.9" |
| RN5204BS1 | 5-20x44 | DEPLOY MOA | SFP | 80/80 | 15 MOA | 3.7" | 19-5 | 24.06 | 13.9" |
| RN5204BS3 | 5-20x44 | Multi-X | SFP | 80/80 | 15 MOA | 3.7" | 19-5 | 24.06 | 13.9" |
| RN5204GS1 | 5-20x44 | DEPLOY MOA | SFP | 80/80 | 15 MOA | 3.7" | 19-5 | 24.06 | 13.9" |
| RN5204GS3 | 5-20x44 | Multi-X | SFP | 80/80 | 15 MOA | 3.7" | 19-5 | 24.06 | 13.9" |
| RN5204BF1 | 5-20x44 | DEP. MOA FFP | FFP | 80/80 | 15 MOA | 3.7" | 19-5 | 24.06 | 13.9" |
| RN5204GF1 | 5-20x44 | DEP. MOA FFP | FFP | 80/80 | 15 MOA | 3.7" | 19-5 | 24.06 | 13.9" |
| RN5204BF2 | 5-20x44 | DEP. MIL FFP | FFP | 23.9 MIL/23.9 MIL | 10 MIL | 3.7" | 19-5 | 24.06 | 13.9" |
| RN6245BS1 | 6-24x50 | DEPLOY MOA | SFP | 60/60 | 15 MOA | 3.6" | 16-4 | 26.3 | 14.4" |
| RN6245BS3 | 6-24x50 | Multi-X | SFP | 60/60 | 15 MOA | 3.7" | 16-4 | 26.3 | 14.4" |
| RN6245GS1 | 6-24x50 | DEPLOY MOA | SFP | 60/60 | 15 MOA | 3.7" | 16-4 | 26.3 | 14.4" |
| RN6245GS3 | 6-24x50 | Multi-X | SFP | 60/60 | 15 MOA | 3.7" | 16-4 | 26.3 | 14.4" |
| RN6245BF1 | 6-24x50 | DEP. MOA FFP | FFP | 60/60 | 15 MOA | 3.7" | 16-4 | 26.3 | 14.4" |
| RN6245GF1 | 6-24x50 | DEP. MOA FFP | FFP | 60/60 | 15 MOA | 3.7" | 16-4 | 26.3 | 14.4" |
| RN6245BF2 | 6-24x50 | DEP. MIL FFP | FFP | 17.9 MIL/17.9 MIL | 10 MIL | 3.7" | 16-4 | 26.3 | 14.4" |
| RN1624BS9 * | 1-6x24 | German #41 Thin | SFP | 45/45 | 100 cm | 90 mm | 38.1-3.7 m@100m | 482 g | 29.5 cm |
| RN2155BS9 * | 2.5-15x50 | German #41 Thin | SFP | 35/35 | 100 cm | 100 mm | 13.7-2.3 m@100m | 649 g | 39.0 cm |
| RN31856BS9 * | 3-18x56 | German #41 Thin | SFP | 42/42 | 100 cm | 100 mm | 11-2 m@100m | 629 g | 37.3 cm |

* disponibile solo in UE, questi modelli hanno reticoli illuminati tedeschi # 41. Vedi la prossima pagina per ulteriori informazioni.

Istruzioni speciali solo per modelli europei (RN1624BS9/RN2155BS9/RN31856BS9)

FUNZIONAMENTO DEL RETICOLO ILLUMINATO/SOSTITUZIONE DELLA BATTERIA (Solo modelli UE)

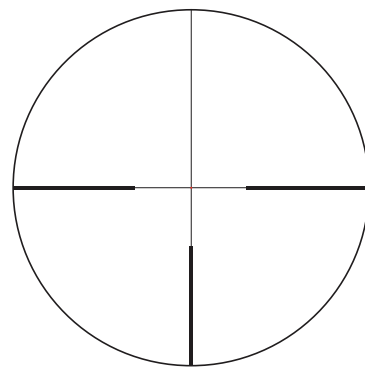
Il punto rosso al centro delle linee di incrocio del reticolo è illuminato. La ghiera di regolazione dell'illuminazione si trova sulla parte opposta di quella della deriva (all'estremità della manopola di messa a fuoco laterale nel modello RN2155BS9/RN31856BS9), numerata da 1 a 6. Per aumentare la luminosità, impostare la ghiera su un valore più alto (sulla parte opposta del punto indice bianco). Per disattivare l'illuminazione e quando si ripone il cannocchiale, spostare la ghiera su una qualsiasi delle posizioni "Off" (punti) tra ciascuna impostazione numerata di illuminazione.

Per sostituire la batteria, rimuovere il tappo dalla manopola di regolazione della luminosità servendosi di una moneta (vedere la foto a destra) e inserire una batteria CR2032 con il segno "+" rivolto verso l'alto.



RETICOLO GERMAN #41 (Solo modelli UE)

Il reticolo in stile German #41 "Thin" è caratterizzato da linee in evidenza sui lati e sulla parte inferiore, che aiutano il tiratore a individuare rapidamente il punto di mira, in particolare in condizioni di scarsa illuminazione, quando le linee di incrocio più sottili dei reticoli potrebbero risultare difficili da vedere. La sezione superiore del campo non presenta ostruzioni. Il punto centrale è illuminato in rosso. Questa caratteristica lo rende il reticolo ideale per battute di caccia al crepuscolo o nelle prime ore della sera.



METODO DI PUNTAMENTO DEL CALIBRO (Solo modelli UE)

1. Sistemare un bersaglio a una distanza compresa tra 25 e 50 metri.
2. Rimuovere la sicura dal fucile.
3. Posizionare il fucile su sacchi di sabbia o su un'apposita base di appoggio.
4. Impostare il cannocchiale sul valore di ingrandimento minimo.
5. Guardare attraverso il calibro del ricevitore e regolare la posizione del fucile in modo da centrare il bersaglio nel calibro (Fig. A).
6. Senza spostare il fucile, guardare nel cannocchiale e osservare la posizione del reticolo sul bersaglio. Sui modelli con cappucci della regolazione di alzo e deriva, rimuovere i cappucci. Sul modello 2.5-15x50, tirare la torretta verso l'alto (alzo) o verso l'esterno (deriva) per sbloccarla prima di regolarla. Regolare le manopole di alzo e deriva per centrare il reticolo con il centro del bersaglio (Fig. B). Ogni scatto o incremento della regolazione modificherà l'impatto del proiettile di 1 cm ogni 100 metri (0,5 cm a 50 metri, 2 cm a 200 metri e così via).

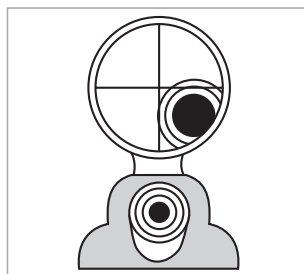


Fig. A
Reticolo non allineato

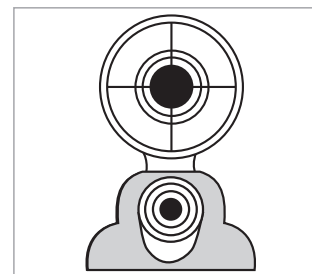


Fig. B
Reticolo allineato

PUNTAMENTO FINALE (Solo modelli UE)



AVVERTENZA: POICHÉ LA PROCEDURA PREVEDE ESERCITAZIONI A FUOCO, DEVE ESSERE ESEGUITA IN UN POLIGONO AUTORIZZATO O IN UN'ALTRA ZONA SICURA. CONTROLLARE CHE IL CALIBRO NON SIA OSTRUITO. UN CALIBRO OSTRUITO PUÒ PROVOCARE LESIONI ALL'UTILIZZATORE E AD ALTRI NELLE VICINANZE. SI RACCOMANDA DI UTILIZZARE PROTEZIONI VISIVE E ACUSTICHE.

1. Da una posizione di tiro stabile sparare due o tre colpi a un bersaglio a 100 metri di distanza. Osservare l'impatto del proiettile sul bersaglio e regolare le manopole di alzo e deriva di conseguenza.
2. Per spostare l'impatto del proiettile, ruotare le manopole di alzo e/o deriva nella direzione corrispondente al punto di impatto sul bersaglio. Ad esempio, se i tiri di prova sono bassi, regolare l'alzo verso il basso. Le regolazioni sul cannocchiale da puntamento sono contrassegnate in CM (centimetri) e il punto di impatto a 100 metri cambia di 1 cm per ogni scatto della manopola di alzo o deriva. Un giro completo della manopola corrisponde a 100 cm.
3. Quando l'impatto sul bersaglio a 100 metri è soddisfacente, passare a un bersaglio posto alla distanza desiderata per l'azzeramento finale. Impostare l'ingrandimento sul valore desiderato sui modelli a ingrandimento variabile.



I prodotti fabbricati a partire da aprile 2017 sono coperti dalla Garanzia Bushnell Ironclad. La Garanzia Ironclad è una garanzia a vita completa che copre la vita utile di questo prodotto. Ogni prodotto ha una durata di vita definita, che può variare da 1 a 30 anni. La durata di questo prodotto è riportata sul sito Web elencato di seguito e/o sulla pagina Web Bushnell specifica di questo prodotto.

Si garantisce che questo prodotto è esente da difetti di materiali e di lavorazione e che soddisferà tutti gli standard di prestazioni rappresentati per tutta la durata di vita del prodotto. Se questo prodotto non funziona correttamente a causa di un difetto coperto provvederemo, a nostra esclusiva discrezione, a ripararlo o sostituirlo e rispedirlo gratuitamente. Questa garanzia è completamente trasferibile e non richiede ricevuta, scheda di garanzia o registrazione del prodotto. La presente garanzia non copre quanto segue: componenti elettronici, batterie, danni estetici, danni causati dalla mancata corretta manutenzione del prodotto, perdita, furto, danni dovuti a riparazione, modifica o smontaggio non autorizzati, danni intenzionali, uso improprio o abuso e normale usura. La presente Garanzia decade se la data stampata o altri codici di serializzazione sono stati rimossi dal prodotto.

Per visualizzare la garanzia completa e trovare dettagli su come richiedere l'assistenza in garanzia, visitare il nostro sito Web all'indirizzo www.bushnell.com/warranty. In alternativa, è possibile richiedere una copia della garanzia chiamandoci al numero 1-800-423-3537 o scrivendoci a uno dei seguenti indirizzi:

Negli U.S.A. spedire a:
Bushnell Outdoor Products
Attn.: Repairs
9200 Cody
Overland Park, Kansas 66214

IN CANADA spedire a:
Bushnell Outdoor Products
Attn.: Repairs
140 Great Gulf Drive, Unit B
Vaughan, Ontario L4K 5W1

Per prodotti acquistati fuori da Stati Uniti o Canada, rivolgersi al rivenditore per le clausole pertinenti della garanzia.

La presente garanzia ti riconosce specifici diritti legali.
Potresti avere altri diritti, i quali variano da paese a paese.

©2019 Bushnell Outdoor Products

Bushnell®

©2019 Bushnell Outdoor Products
Bushnell,™, ®, denote trademarks of Bushnell Outdoor Products
www.bushnell.com

9200 Cody, Overland Park, KS 66214